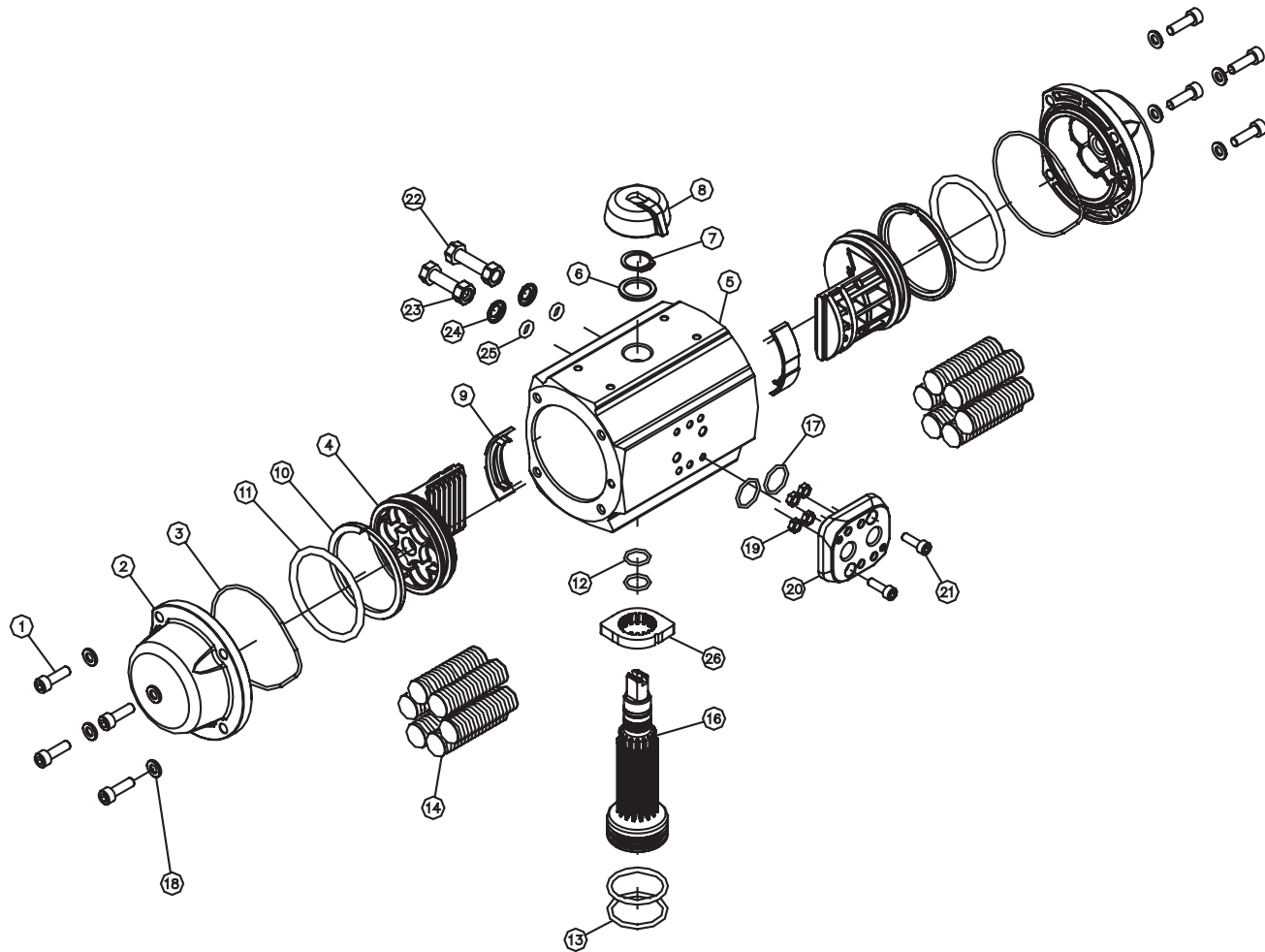


Aluminum Pneumatic Actuators

B579PA



Parts List (B579PA)

PARTS			
NO.	DESCRIPTION	PCS.	MATERIAL
1	End Cap Bolt	8	304 Stainless Steel
2	End Cap	2	Cataphoresis & Rilsan Coated Aluminum Alloy
3	End Cap O-Ring	2	NBR
4	Piston	2	Aluminum Alloy
5	Actuator Body	1	Cataphoresis & Rilsan Coated Aluminum Alloy
6	Washer	1	Polyamide 6
7	Shaft Retaining Ring	1	Nickel PTFE Coated Steel
8	Position Indicator	1	Polyamide
9	Piston Guide	2	Polyacetal
10	Guide Ring	2	Polyacetal
11	Piston O-Ring	2	NBR
12	Upper Shaft O-Ring	2	NBR
13	Lower Shaft O-Ring	2	NBR
14	Spring Set	12	DIN-17223-C with Chromium Passivation
16	Shaft	1	Cataphoesis Coated Steel
17	Air Connection Plate O-Ring	2	NBR
18	End Cap Washer	8	304 Stainless Steel
19	Nut for Air Connection Plate	4	304 Stainless Steel
20	Air Connection Plate	1	PAG
21	Bolt for Air Connection Plate	2	304 Stainless Steel
22	Adjustment Bolt	2	Steel
23	Adjustment Locknut	2	304 Stainless Steel
24	Bushing	2	303 Stainless Steel
25	Travel Stop O-Ring	2	NBR
26	Travel Stop Cam	1	CF8 Stainless Steel