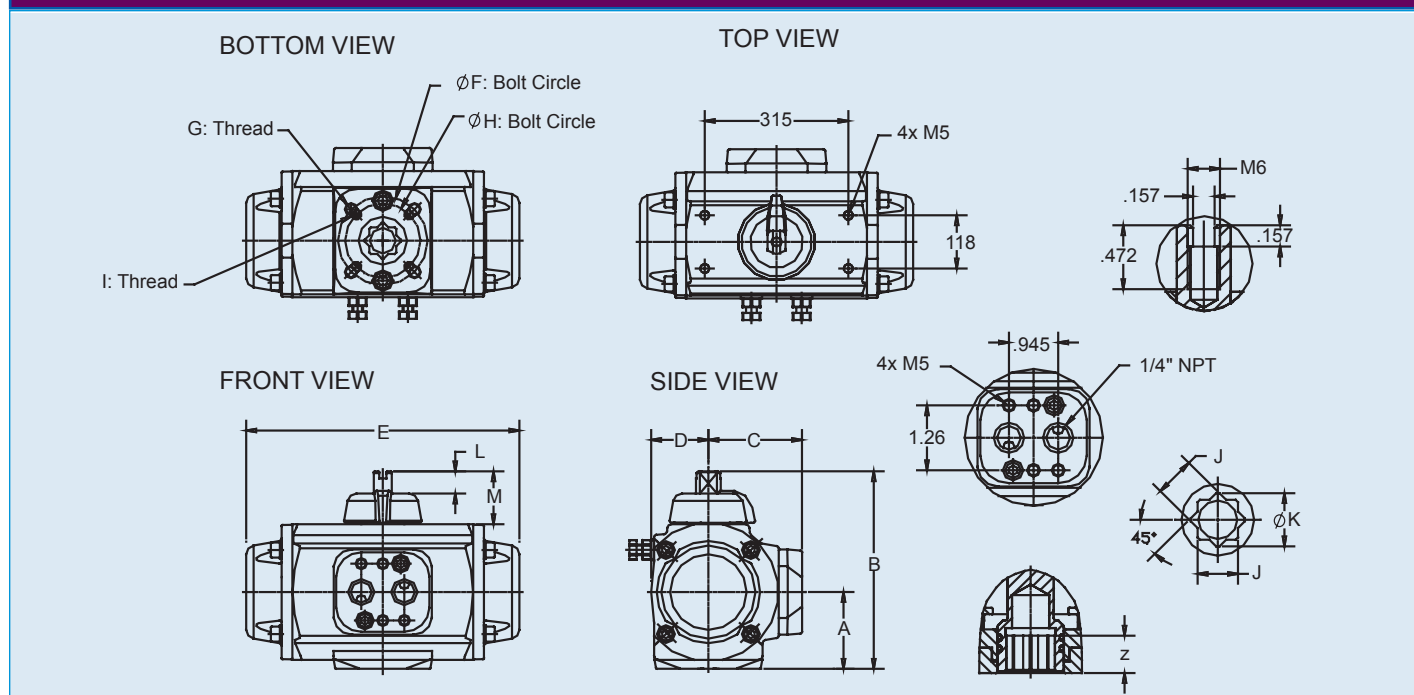


Aluminum Pneumatic Actuators PA Series



Dimensions (IN.)

Model	A	B	C	D	E	F	G	H	I	J	K	L	M	Z
A79PA	1.47	3.52	1.90	1.10	5.52	1.65	5 mm	1.42	5 mm	0.55	0.71	0.32	0.79	0.69
B79PA	1.70	4.38	2.06	1.26	6.00	1.97	6 mm	1.65	5 mm	0.55	0.75	0.49	1.18	0.70
B579PA	1.95	5.05	2.43	1.57	7.91	2.76	8 mm	1.97	6 mm	0.67	0.91	0.49	1.18	0.81
C79PA	2.06	5.21	2.47	1.61	8.84	2.76	8 mm	1.97	6 mm	0.67	0.91	0.49	1.18	0.82
C579PA	2.35	5.82	2.78	1.93	10.40	2.76	8 mm	1.97	6 mm	0.67	0.91	0.49	1.18	0.82
D79PA	2.51	6.15	2.96	2.06	12.19	2.76	8 mm	1.97	6 mm	0.67	0.91	0.49	1.18	0.82
D579PA	3.04	7.26	3.51	2.53	14.02	4.02	10 mm	2.76	8 mm	1.06	1.44	0.49	1.18	1.22

Air Consumption (Cubic Inches.)

Model No.	Air to Air		Air to Spring
	Open Port A	Close Port B	Air Stroke
A79PA	4.58	6.71	4.58
B79PA	9.15	10.99	9.15
B579PA	17.09	22.58	17.09
C79PA	21.36	27.46	21.36
C579PA	39.67	50.04	39.67
D79PA	48.82	70.18	48.82
D579PA	91.54	123.27	91.54

Cycle Time (Seconds per Stroke)

Model No.	Air to Air		Air to Spring	
	Open Port A	Close Port B	Open Port A	Close Port B
A79PA	0.10	0.10	0.15	0.15
B79PA	0.15	0.15	0.20	0.20
B579PA	0.20	0.20	0.25	0.25
C79PA	0.25	0.25	0.30	0.30
C579PA	0.30	0.30	0.40	0.40
D79PA	0.40	0.40	0.50	0.50
D579PA	0.50	0.50	0.80	0.80

Note: Actuator supplied with 80 psi, and no load

Weight (In Pounds)

Model No.	Aluminum	
	A-A	A-S
A79PA	2.02	2.20
B79PA	3.09	3.58
B579PA	5.67	6.49
C79PA	6.79	7.68
C579PA	9.25	11.10
D79PA	12.36	14.61
D579PA	20.50	24.92