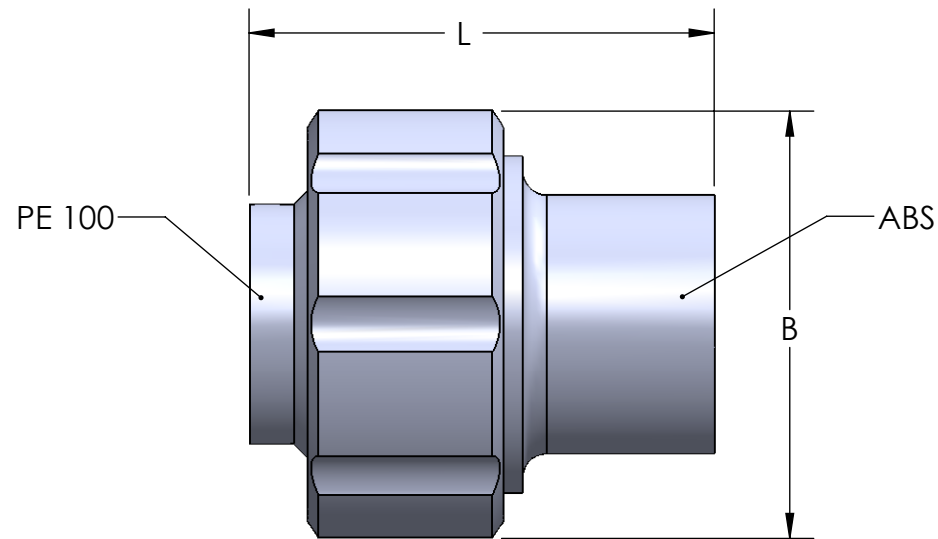



PIPE SIZE	L	B
1/2" (20mm)	2-1/4	1-3/4
3/4" (25mm)	2-3/8	2-1/8
1" (32mm)	2-1/2	2-1/2
1-1/4" (40mm)	3	3
1-1/2" (50mm)	3-1/2	3-3/8
2"(63mm)	3-5/8	4



UNLESS OTHERWISE SPECIFIED DIMENSIONS ARE IN INCHES	
MACHINING TOLERANCES:	2 PL DECIMALS ± .01
	3 PL DECIMALS ± .005
	ANGULAR ± 1/2°
	FRACTIONAL ± 1/64
FABRICATION TOLERANCES:	1/2" - 8" ± 1/4
	10" AND UP ± 1/2
	ANGULAR ± 1.0°
MATERIAL	PE100/ABS
FINISH	125 μ"

THIS DRAWING AND ALL INFORMATION HEREON IS THE PROPERTY OF ASAHI/AMERICA. ANY COPYING, REPRODUCTION OR UNAUTHORIZED USE IS FORBIDDEN WITHOUT WRITTEN CONSENT.	
NAME	DATE
DR <i>Conrad Williams</i>	3/31/09
APPD	
PROD	
PRODUCT AIR PRO	
WO#/CO#	

ASAHI/AMERICA ISO 9001 CERTIFIED 35 GREEN STREET, P.O. BOX 653, MALDEN, MA.		
1/2" - 2" ABS SOC x PE 100 SOC UNIONS		
SIZE A	DWG. NO. M01PP3365	REV A
SCALE SCALE 1:2		SHEET 1 OF 1