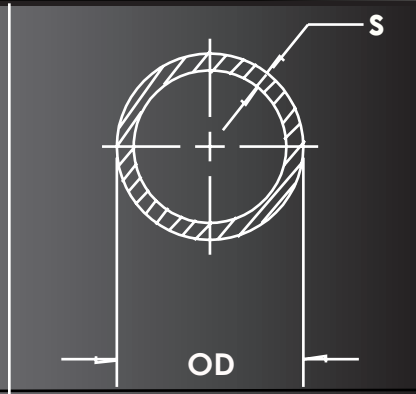
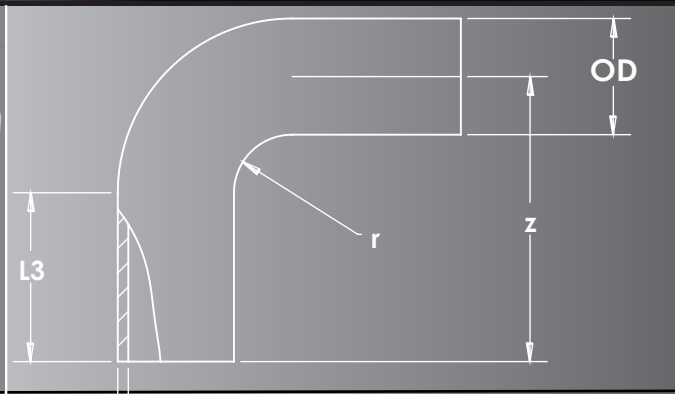
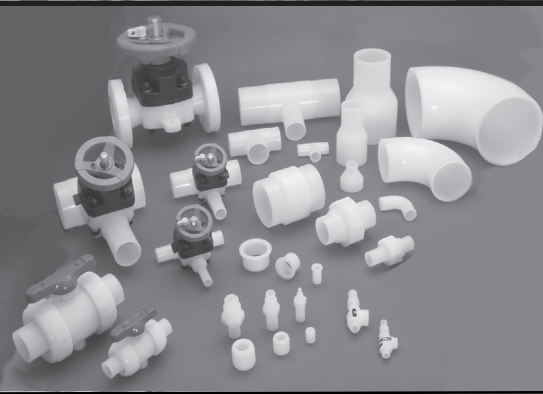


High Purity Piping Systems Dimensional Guide

PolyPure™
Natural
Polypropylene



The
Wet
Process
People™



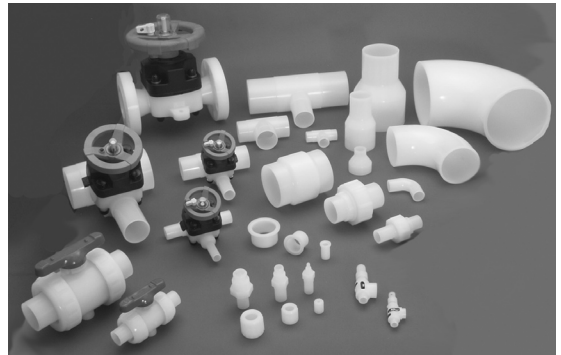
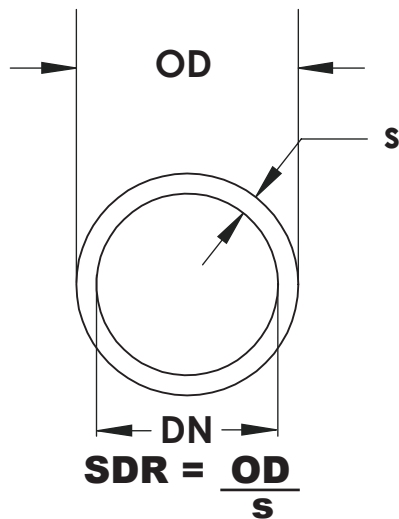
High Purity Piping systems engineered to meet the most demanding applications

Together, with our internationally recognized partner, Agru, Asahi/America provides the most comprehensive and technologically advanced high purity piping systems available. Purad™ Ultra High Purity PVDF, PolyPure™ Natural Polypropylene and PP-Pure™ Pigmented Polypropylene offer more sizes, fittings and pressure ratings than from any other single source. This extensive product offering is supported by an experienced and knowledgeable group of staff engineers, technicians and sales agents, all ready to assist you with your application's requirements.

Note to this Guide:

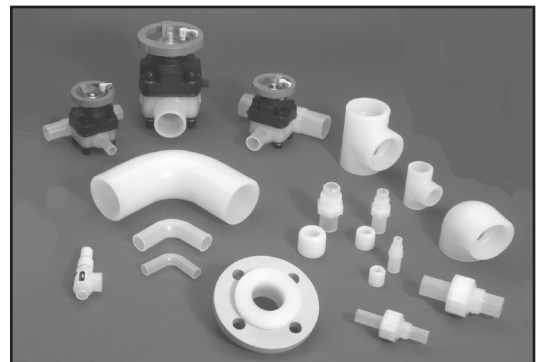
All the systems are metric sized based on Standard Dimension Ratio or SDR pipe sizes. All systems, regardless of material, maintain a constant pipe and fitting OD. Imperial (inch) ODs are provided as nominal sizes only.

Within the SDR System, nominal pressure ratings vary according to material but not OD. Pressure ratings generally remain constant within material and SDR classification. For example: all SDR21 PVDF pipe and fittings are rated to 16 bar or 230psi. Exceptions, if any, may be found in cases where valves or threads carry ratings independent of SDR sizing.



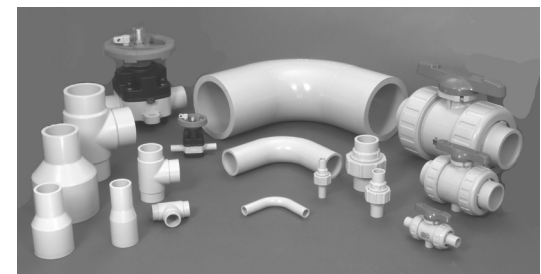
Purad™ PVDF

SDR21, PN 16/230psi, Sizes 20-280mm
SDR33, PN 10/150psi, Sizes 90-315mm



PolyPure™ Natural PP

SDR11, PN 10/150psi, Sizes 20-110mm



PP-Pure™ Pigmented PP

SDR11, PN 10/150psi, Sizes 20-315mm

AGRU CAD CD



Agru has released Agru CAD, a CAD part file generation software for their piping systems. This software allows users to download part models (drawings) in a wide variety of file formats. Copies of Agru CAD are available FREE of charge upon request, Please email us at asahi@asahi-america.com to request your copy. Use code PUB60070 when ordering.

Please note this software is compatible with our Purad™ PVDF, PolyPure™ PPN, PP-Pure™, Proline™ PP and Ultra Proline™ ECTFE (Halar®) piping systems.

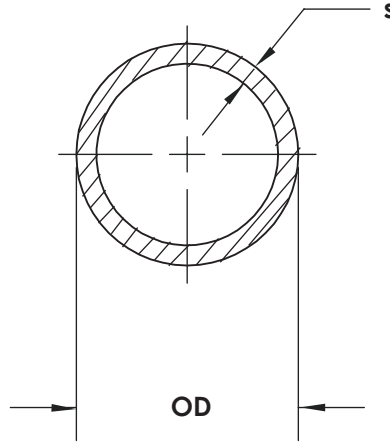
Size Comparison of Common Process Piping Systems

Nominal Pipe Size	SDR11		SDR21		SDR33		SCH40		SCH80		SS Tube	
	OD (INCH)	ID (INCH)	OD (INCH)	ID (INCH)	OD (INCH)	ID (INCH)	OD (INCH)	ID (INCH)	OD (INCH)	ID (INCH)	OD (INCH)	ID (INCH)
1/2	0.787	0.591	0.787	0.644	-	-	0.840	0.622	0.840	0.546	0.50	0.37
3/4	0.984	0.766	0.984	0.830	-	-	1.050	0.82	1.050	0.742	0.75	0.62
1	1.260	1.020	1.260	1.071	-	-	1.315	1.049	1.315	0.957	1.00	0.87
1-1/4	1.575	1.288	1.575	1.381	-	-	1.660	1.380	1.660	1.278	-	-
1-1/2	1.969	1.611	1.969	1.734	-	-	1.900	1.610	1.900	1.500	1.50	1.37
2	2.480	2.029	2.480	2.244	-	-	2.375	2.067	2.375	1.939	2.00	1.87
2-1/2	2.953	2.416	2.953	2.672	-	-	2.875	2.469	2.875	2.323	2.50	2.37
3	3.543	2.899	3.543	3.206	3.543	3.329	3.500	3.068	3.500	2.900	3.00	2.87
4	4.331	3.543	4.331	3.918	4.331	4.068	4.500	4.026	4.500	3.826	4.00	3.84
6	6.299	5.154	6.299	5.699	6.299	5.917	5.563	5.047	5.563	4.813	6.00	5.78
8	7.874	6.442	7.874	7.124	7.874	7.397	6.625	6.065	6.625	5.761	-	-
9	8.858	7.248	8.858	8.015	8.858	8.321	8.625	7.981	8.625	7.625	-	-
10	9.843	8.053	9.843	8.905	9.843	9.246	10.75	10.020	10.75	9.564	-	-
12	12.402	10.147	12.402	11.220	12.402	11.650	12.75	11.938	12.75	11.376	-	-

Available SDR and Pressure Rating by Material Type

Material Type	SDR11	SDR21	SDR33
Purad™ PVDF		PN16/230psi 20-280mm	PN10/150psi 90-315mm
PolyPure™ PPn	PN10/150psi 20-110mm		
PP-Pure™ PP	PN10/150psi 20-315mm		

PolyPure™
Natural Polypropylene



Pipe 5 meter-16.4' length

OD		SDR 11 / PN 10 / 150 PSI			
mm	inch	s	Weight (lbs/m)	Asahi P/N	Agro Code
20	1/2	0.075	0.236	6301005	16.705.0020.11
25	3/4	0.091	0.367	6301007	16.705.0025.11
32	1	0.114	0.570	6301010	16.705.0032.11
40	1-1/4	0.146	0.910	6301012	16.705.0040.11
50	1-1/2	0.181	1.410	6301015	16.705.0050.11
63	2	0.228	2.230	6301020	16.705.0063.11
90	3	0.323	6.460	6301030	16.705.0090.11
110	4	0.394	6.637	6301040	16.705.0110.11

Pipe & Fitting OD size is metric, inch OD provided as nominal size only
 PN10 equals 150 psi pressure rating

Components listed in this section contain both Agro Code identifications and Asahi/America part numbers. Either can be used to identify the requested component. When using the Agro Code, be sure to preface the numbers with the Material Identification Code.

PolyPure Material Code = 16

Code identification

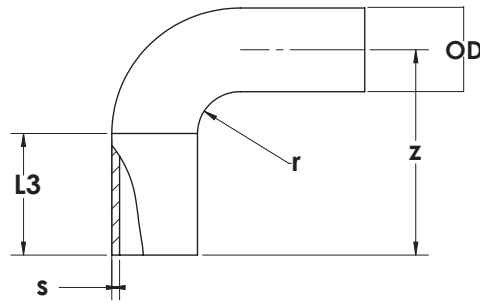


Example:

- PolyPure Pipe, OD 63mm, SDR11 Code 16.705.0063.11

PolyPure™
Natural Polypropylene

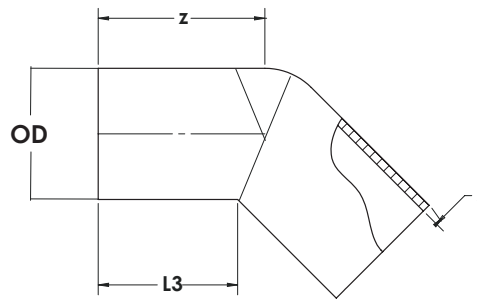
**Extended Leg
90° Elbow**



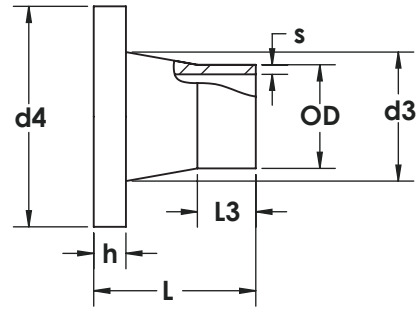
OD		Dimensions			SDR 11 / PN 10 / 150 PSI			
mm	inch	z	r	L3	s	Weight (lbs)	Asahi P/N	Agru Code
20	1/2	2.323	0.787	1.457	0.098	0.044	6302005	16.068.0020.11
25	3/4	2.618	0.984	1.535	0.109	0.066	6302007	16.068.0025.11
32	1	3.091	1.260	1.732	0.120	0.110	6302010	16.068.0032.11
40	1-1/4	3.602	1.575	1.929	0.144	0.198	6302012	16.068.0040.11
50	1-1/2	4.213	1.969	2.205	0.179	0.309	6302015	16.068.0050.11
63	2	5.000	2.480	2.520	0.226	0.595	6302020	16.068.0063.11
75	2-1/2	5.827	2.953	2.835	0.269	0.948	6302025	16.068.0075.11
90	3	6.535	3.543	2.953	0.322	1.566	6302030	16.068.0090.11
110	4	7.421	4.331	2.953	0.394	2.536	6302040	16.068.0110.11

PolyPure™
Natural Polypropylene

45° Elbow



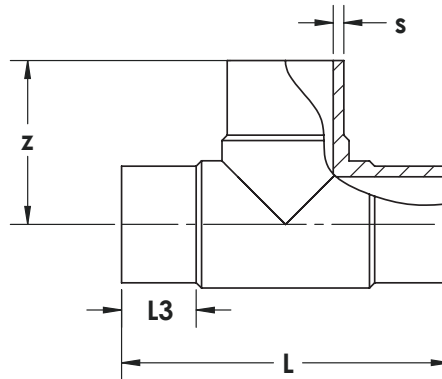
OD		Dimensions		SDR 11 / PN 10 / 150 PSI			
mm	inch	z	L3	s	Weight (lbs)	Asahi P/N	Agru Code
20	1/2	1.732	1.535	0.098	0.022	6314005	16.060.0020.11
25	3/4	1.890	1.654	0.109	0.044	6314007	16.060.0025.11
32	1	2.244	1.929	0.120	0.088	6314010	16.060.0032.11
40	1-1/4	2.480	2.087	0.144	0.132	6314012	16.060.0040.11
50	1-1/2	2.756	2.244	0.179	0.221	6314015	16.060.0050.11
63	2	3.150	2.520	0.226	0.419	6314020	16.060.0063.11
75	2-1/2	3.543	2.756	0.269	0.595	6314025	16.060.0075.11
90	3	4.094	3.228	0.322	0.970	6314030	16.060.0090.11
110	4	4.252	3.228	0.394	1.544	6314040	16.060.0110.11



**Stub End Adapter
- Flange Adapter**

OD		Dimensions					SDR 11 / PN 10 / 150 PSI			
mm	inch	L	L3	d3	d4	h	s	Weight (lbs)	Asahi P/N	Agru Code
20	1/2	1.969	1.181	1.063	1.752	0.276	0.098	0.044	6330005	16.012.1020.11
25	3/4	1.969	0.984	1.299	2.130	0.354	0.109	0.066	6330007	16.012.1025.11
32	1	1.969	0.984	1.575	2.500	0.394	0.120	0.110	6330010	16.012.1032.11
40	1-1/4	1.969	0.787	1.969	2.815	0.433	0.144	0.132	6330012	16.012.1040.11
50	1-1/2	1.969	0.787	2.402	3.250	0.472	0.179	0.176	6330015	16.012.1050.11
63	2	1.969	0.709	2.953	3.953	0.551	0.226	0.287	6330020	16.012.1063.11
90	3	3.150	1.575	4.134	5.213	0.669	0.322	0.684	6330030	16.012.1090.11
110	4	3.15	1.496	4.921	6.713	0.709	0.394	0.989	6330040	16.012.1110.11

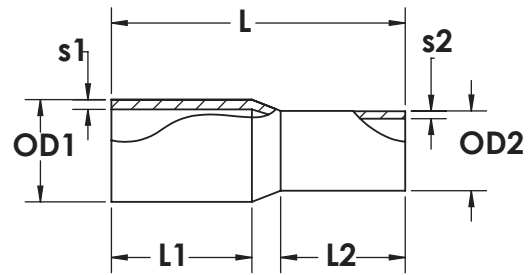
PolyPure™
Natural Polypropylene



Tees

OD		Dimensions			SDR 11 / PN 10 / 150 PSI				
mm	inch	z	L	L3	s	Weight (lbs)	Asahi P/N	Agru Code	
20	1/2	1.339	2.677	0.689	0.098	0.044	6318005	16.006.0020.11	
25	3/4	1.575	3.150	0.807	0.109	0.066	6318007	16.006.0025.11	
32	1	1.772	3.543	0.807	0.120	0.088	6318010	16.006.0032.11	
40	1 1/4	1.969	3.937	0.807	0.144	0.154	6318012	16.006.0040.11	
50	1 1/2	2.362	4.724	0.906	0.179	0.287	6318015	16.006.0050.11	
63	2	2.835	5.669	0.984	0.226	0.529	6318020	16.006.0063.11	
90	3	4.134	8.386	1.496	0.322	1.632	6318030	16.006.0090.11	
110	4	4.803	9.961	2.008	0.394	2.734	6318040	16.006.0110.11	

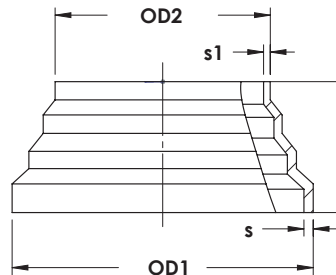
**Extended Leg
Concentric Reducer**



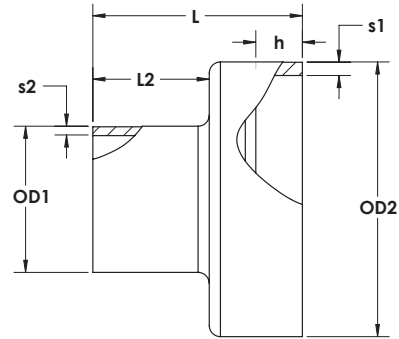
OD		Dimensions					SDR 11 / PN 10 / 150 PSI		
mm	inch	L	L1	L2	s1	s2	Weight (lbs)	Asahi P/N	Agru Code
25/20	3/4 x 1/2	3.425	1.575	1.614	0.109	0.098	0.044	6338101	16.067.2520.11
32/20	1 x 1/2	3.622	1.693	1.535	0.118	0.098	0.066	6338130	16.067.3220.11
32/25	1 x 3/4	3.622	1.732	1.535	0.118	0.109	0.066	6338131	16.067.3225.11
40/20	1-1/4 x 1/2	7.500	2.760	2.760	0.144	0.098	0.088	6338166	16.067.4020.11
40/25	1-1/4 x 3/4	7.000	2.790	2.790	0.144	0.109	0.088	6338167	16.067.4025.11
40/32	1-1/4 x 1	4.016	1.890	1.772	0.144	0.120	0.088	6338168	16.067.4032.11
50/20	1-1/2 x 1/2	7.500	2.480	2.480	0.181	0.098	0.132	6338208	16.067.5020.11
50/25	1-1/2 x 3/4	4.646	2.165	1.732	0.181	0.098	0.132	6338210	16.067.5025.11
50/32	1-1/2 x 1	4.646	2.323	1.811	0.181	0.120	0.154	6338211	16.067.5032.11
50/40	1-1/2 x 1-1/4	6.500	2.820	2.820	0.181	0.144	0.154	6338212	16.067.5040.11
63/20	2 x 1/2						0.243	6338246	16.067.6320.11
63/25	2 x 3/4	7.500	2.370	2.370	0.228	0.109	0.243	6338248	16.067.6325.11
63/32	2 x 1	5.354	2.520	1.929	0.228	0.120	0.243	6338249	16.067.6332.11
63/40	2 x 1-1/4	7.000	2.740	2.740	0.228	0.144	0.243	6338250	16.067.6340.11
63/50	2 x 1-1/2	5.906	2.598	2.323	0.228	0.179	0.309	6338251	16.067.6350.11
90/63	3 x 2	5.906	2.598	2.323	0.322	0.226	1.309	6338338	16.067.9063.11
110/63	4 x 2	5.906	2.598	2.323	0.394	0.226	2.309	6338420	16.067.11063.11
110/90	4 x 3	7.000	3.000	3.000	0.394	0.322	2.309	6338422	16.067.11090.11

PolyPure™
 Natural Polypropylene

Stepped Concentric Reducer



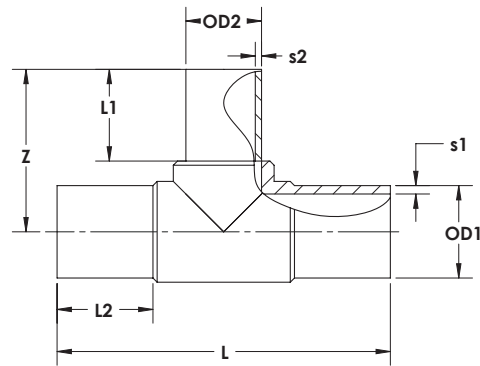
OD		Dimensions			SDR 11 / PN 10 / 150 PSI		
mm	inch	L	s	s1	Weight (lbs)	Asahi P/N	Agru Code
63 x 16	2 x 3/8	2.41 F	0.228	0.071	0.044	6337247	16.007.6316.11
110/63	4 x 2	2.41 F	0.394	0.228	0.066	6337420	16.007.1163.11



Machined Flush Reducer

OD		Dimensions				SDR 11 / PN 10 / 150 PSI
mm	inch	D	d	s1	s2	Asahi P/N
40 x 20	1-1/4 x 1/2	1.576	.788	0.144	0.098	6348166
40 x 25	1-1/4 x 3/4	1.576	.985	0.144	0.109	6348167
50 x 20	1-1/2 x 1/2	1.970	.788	0.179	0.120	6348208
50 x 25	1-1/2 x 3/4	1.970	.985	0.179	0.109	6348210
63 x 20	2 x 1/2	2.482	.788	0.226	0.098	6348246
63 x 25	2 x 3/4	2.482	.985	0.226	0.109	6348248
90 x 20	3 x 1/2	3.546	.788	0.322	0.098	6348332
90 x 25	3 x 3/4	3.546	.985	0.322	0.109	6348333
90 x 32	3 x 1	3.546	1.261	0.322	0.109	6348336
90 x 40	3 x 1-1/4	3.546	1.576	0.322	0.144	6348335
90 x 50	3 x 1-1/2	3.546	1.970	0.322	0.179	6348337
110 x 20	4 x 1/2	4.344	.788	0.394	0.098	6348399
110 x 25	4 x 3/4	4.344	.985	0.394	0.109	6348404
110 x 32	4 x 1	4.344	1.261	0.394	0.120	6348401
110 x 40	4 x 1-1/4	4.344	1.576	0.394	0.144	6348412
110 x 50	4 x 1-1/2	4.344	1.970	0.394	0.179	6348415

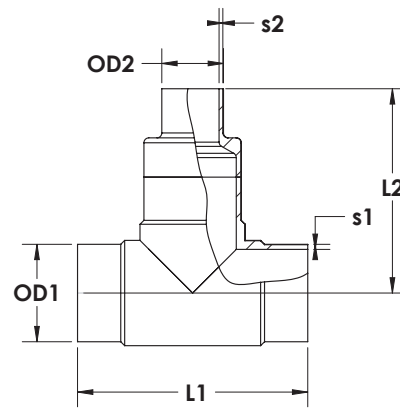
PolyPure™
Natural Polypropylene



Fabricated Reducing Tee

OD		Dimensions				SDR 11/ PN 10 / 150 PSI
mm	inch	L 1	L2	s1	s2	Asahi P/N
25 x 20	3/4 x 1/2	2.960	4.764	0.109	0.098	6322101
32 x 20	1 x 1/2	3.540	4.961	0.118	0.098	6322130
32 x 25	1 x 3/4	3.510	5.197	0.118	0.109	6322131
40 x 20	1-1/4 x 1/2	4.750	8.839	0.144	0.098	6322166
40 x 25	1-1/4 x 3/4	4.500	8.575	0.144	0.109	6322167
40 x 32	1-1/4 x 1	3.740	5.787	0.144	0.120	6322168
50 x 20	1-1/2 x 1/2	5.800	8.839	0.181	0.098	6322208
50 x 25	1-1/2 x 3/4	4.390	6.220	0.181	0.098	6322210
50 x 32	1-1/2 x 1	4.170	6.417	0.181	0.120	6322211
50 x 40	1-1/2 x 1-1/4	4.250	8.469	0.181	0.144	6322212
63 x 20	2 x 1/2	5.500	5.670	0.228	0.098	6322246
63 x 25	2 x 3/4	5.500	5.500	0.228	0.109	6322248
63 x 32	2 x 1	5.490	5.490	0.228	0.120	6322249
63 x 40	2 x 1-1/4	5.500	5.500	0.228	0.144	6322250
63 x 50	2 x 1-1/2	4.880	4.880	0.228	0.179	6322251
90 x 63	3 x 2	6.000	0.000	0.322	0.226	6322338
110 x 63	4 x 2	7.750	7.75000	0.394	0.226	6322420
110 x 90	4 x 3	6.500	6.500	0.394	0.322	6322422

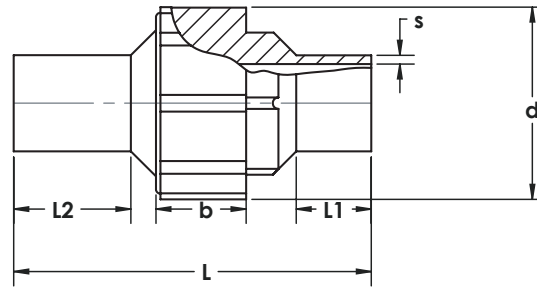
PolyPure™
Natural Polypropylene



Fabricated Flush Reducing Tee

OD		Dimensions				SDR 11 / PN 10 / 150 PSI
mm	inch	L1	L2	S1	S2	Asahi P/N
40/20	1-1/4x1/2	3.937	3.878	0.109	0.098	6335166
40/25	1-1/4x3/4	3.937	4.075	0.109	0.109	6335167
50/20	1-1/2x1/2	4.724	3.878	0.226	0.098	6335208
50/25	1-1/2x3/4	4.724	4.075	0.226	0.109	6335210
63/20	2x1/2	5.866	3.878	0.226	0.098	6335246
63/25	2x3/4	5.866	4.075	0.226	0.109	6335248
90/20	3x1/2	7.126	3.878	0.322	0.098	6335332
90/25	3x3/4	7.126	4.075	0.322	0.109	6335333
90/32	3x1	7.126	4.272	0.322	0.120	6335336
90/40	3x1-1/4	7.126	4.469	0.322	0.144	6335335
90/50	3x1-1/2	7.126	4.862	0.322	0.179	6335337
110/20	4x1/2	8.780	3.878	0.394	0.098	6335399
110/25	4x3/4	8.780	4.075	0.394	0.109	6335404
110/32	4x1	8.780	4.272	0.394	0.120	6335401
110/40	4x1-1/4	8.780	4.469	0.394	0.144	6335412
110/50	4x1-1/2	8.780	4.862	0.394	0.179	6335415

PolyPure™
Natural Polypropylene

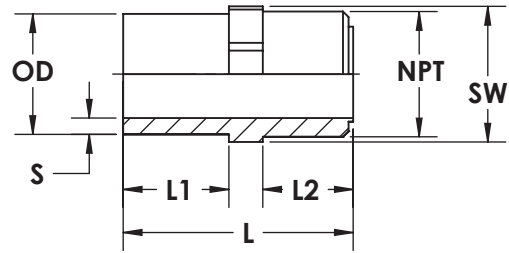


Union - Type 24 FKM

OD		Dimensions						SDR 11 / PN 10 / 150 PSI		
mm	inch	s	L	L1	L2	d	b	Weight (lbs)	Asahi P/N	Agru Code
20	1/2	0.075	4.213	0.945	1.398	1.850	0.945	0.110	6333005	16.024.0120.11
25	3/4	0.0JF	4.409	0.945	1.437	2.244	1.024	0.176	6333007	16.024.0125.11
32	1	0.094	4.685	0.984	1.547	2.520	1.181	0.243	6333010	16.024.0132.11
40	1-1/4	0.094	4.921	0.984	1.476	3.012	1.220	0.397	6333012	16.024.0140.11
50	1-1/2	0.118	5.118	0.984	1.575	3.504	1.378	0.551	6333015	16.024.0150.11
63	2	0.118	5.354	0.984	1.594	4.291	1.535	0.882	6333020	16.024.0163.11

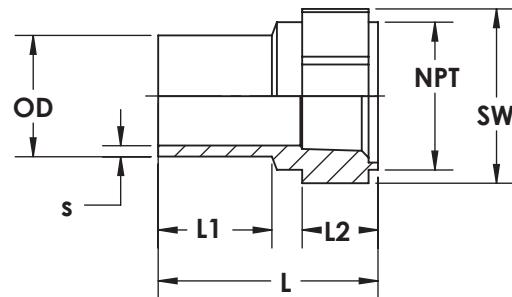
PolyPure™
Natural Polypropylene

PolyPure™
Natural Polypropylene



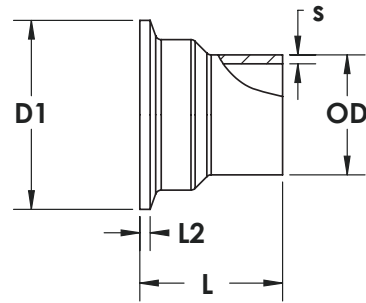
Male Adapter

OD		Dimensions						SDR 11 / PN 10 / 150 PSI		
mm	inch	s	L	L1	L2	SW	NPT	Weight (lbs)	Asahi P/N	Agro Code
20	1/2	0.098	1.811	0.748	0.709	0.866	1/2"	0.022	6347005	16.033.2021.11
25	3/4	0.106	2.008	0.866	0.787	1.063	3/4"	0.022	6347007	16.033.2526.11
32	1	0.114	2.402	1.102	0.945	1.417	1"	0.066	6347010	16.033.3233.11
40	1-1/4	0.146	2.598	1.142	1.024	1.811	1 1/4"	0.132	6347012	16.033.4041.11
50	1-1/2	0.181	2.913	1.260	1.102	2.165	1 1/2"	0.132	6347015	16.033.5051.11
63	2	0.228	3.150	1.378	1.220	2.559	2"	0.132	6347020	16.033.6364.11



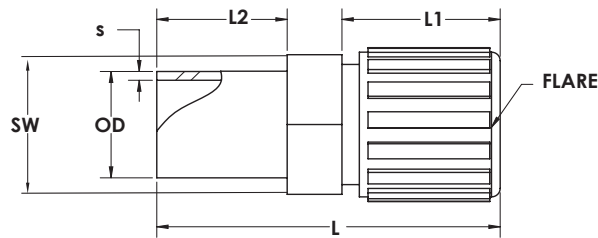
Female Adapter

OD		Dimensions						SDR 11 / PN 10 / 150 PSI		
mm	inch	s	L	L1	L2	SW	NPT	Weight (lbs)	Asahi P/N	Agro Code
20	1/2	0.098	1.772	0.827	0.630	1.260	0.500	0.022	6349005	16.032.2021.11
25	3/4	0.106	1.969	0.984	0.669	1.614	0.750	0.066	6349007	16.032.2526.11
32	1	0.114	2.283	1.181	0.787	1.811	1.000	0.088	6349010	16.032.3233.11
40	1-1/4	0.146	2.441	1.181	0.945	2.165	1.250	0.132	6349012	16.032.4041.11
50	1-1/2	0.181	2.677	1.339	0.945	2.756	1.500	0.221	6349015	16.032.5051.11
63	2	0.228	2.953	1.417	1.102	3.346	2.000	0.353	6349020	16.032.6364.11



Sanitary Adapter - Machined

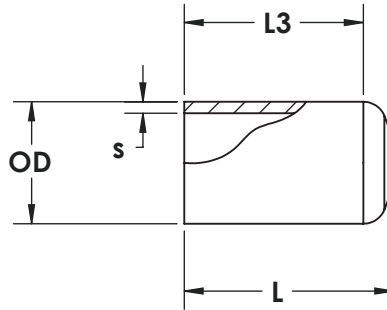
OD		Dimensions				SDR 11 / PN 10 / 150 PSI	
mm	inch	s	L	L2	D1	Asahi P/N	Agru Code
20	1/2	0.098	1.500	0.142	0.984	6360005	16.306.0020.11
25	3/4	0.106	1.500	0.110	1.984	6360007	16.306.0025.11
32	1	0.114	1.500	0.110	1.984	6360010	16.306.0032.11
40	1-1/4	0.146	1.500	0.110	1.984	6306012	16.306.0040.11
50	1-1/2	0.181	1.500	0.110	2.490	6360015	16.306.0050.11
63	2	0.228	1.500	0.110	2.990	6306020	16.306.0063.11



Flare Adapter

OD		Dimensions						SDR 11 / PN 10 / 150 PSI
mm (D1)	inch	Flare inch	s	L ±	L1 ±	L2	SW	Asahi P/N
20	1/2	1/4	0.075	3.190	1.142	1.500	0.945	6306096
20	1/2	3/8	0.075	3.310	1.260	1.500	0.945	6306098
20	1/2	1/2	0.075	3.400	1.260	1.500	1.063	6306005
25	3/4	1/4	0.0JF	3.360	1.260	1.500	1.181	6306106
25	3/4	3/8	0.0JF	3.400	1.300	1.500	1.181	6306101
25	3/4	1/2	0.0JF	3.560	1.456	1.500	1.181	6306007
32	1	3/4	0.0FF4	3.390	1.260	1.500	1.614	6306105
32	1	1/2	0.0FF4	3.430	1.260	1.500	1.614	6306130
32	1	3/4	0.0FF4	3.590	1.456	1.500	1.614	6306131
32	1	1	0.0FF4	3.860	1.732	1.500	1.614	6306010

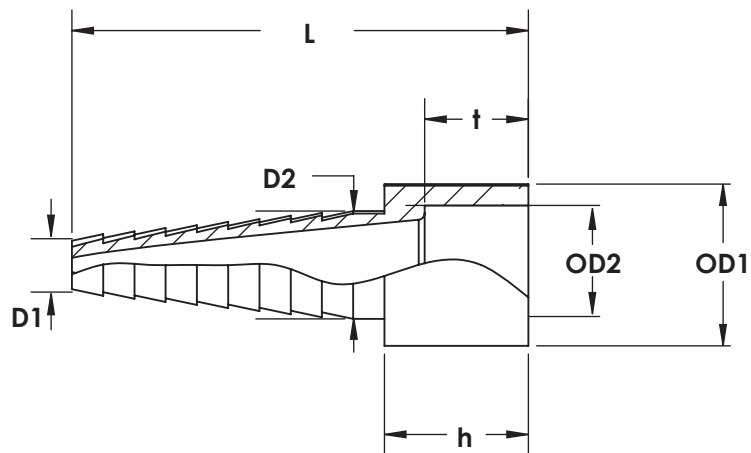
PolyPure™
 Natural Polypropylene



End Cap

OD		Dimensions			SDR 11 / PN 10 / 150 PSI		
mm	inch	L	L3	s	Weight (lbs)	Asahi P/N	Agru Code
20	1/2	1.850	1.614	0.098	0.022	6343005	16.064.0020.11
25	3/4	1.929	1.614	0.109	0.022	6343007	16.064.0025.11
32	1	2.165	1.850	0.120	0.044	6343010	16.064.0032.11
40	1-1/4	2.520	2.008	0.144	0.066	6343012	16.064.0040.11
50	1-1/2	2.874	2.362	0.179	0.110	6343015	16.064.0050.11
63	2	3.307	2.677	0.226	0.221	6343020	16.064.0063.11
75	2-1/2	3.661	2.953	0.269	0.353	6343025	16.064.0075.11
90	3	4.213	3.307	0.322	0.551	6343030	16.064.0090.11
110	4	5.276	3.819	0.394	0.926	6343040	16.064.0110.11

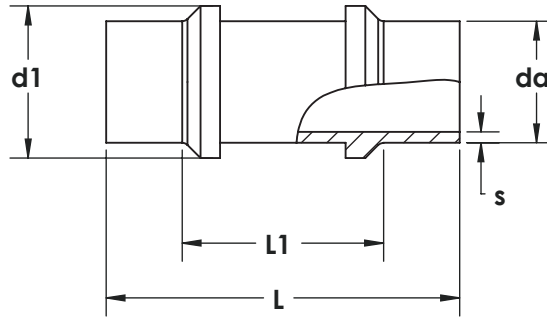
PolyPure™
Natural Polypropylene



Hose Barb*

Size		Dimensions					SDR 11 / PN 10 / 150 PSI	
Outlet	OD1	OD2	L	h	t	D1	D2	Asahi P/N
1/4"	25 mm	20 mm	2.778	0.875	0.656	1/4	1/2	84070400

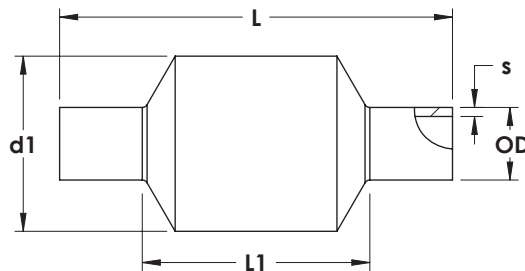
*Hose barb can be IR fused to 20mm or socket fused with 25mm pipe fitting



Restraint Fitting - Machined

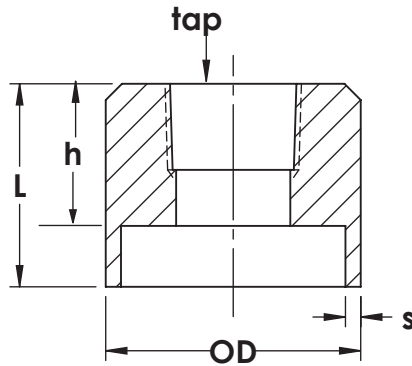
OD		Dimensions			SDR 11 / PN 10 / 150 PSI		
mm	inch	L	L1	d1	s	Weight (lbs)	Asahi P/N
32	1	3.661	2.087	1.575	0.114	0.066	6305010
40	1 1/4	3.661	2.087	1.890	0.146	0.066	6305012
50	1 1/2	4.449	2.087	2.283	0.181	0.066	6305015
63	2	4.331	1.969	2.795	0.228	0.066	6305020
90	3	5.118	2.756	4.134	0.323	0.066	6305030
110	4	5.118	2.756	5.000	0.394	0.066	6305040

PolyPure™
Natural Polypropylene



Instrumentation Fitting - Machined

OD		Dimensions			SDR 21 / PN 16 / 230 PSI		
mm	inch	L	L1	d1	s	Weight (lbs)	Asahi P/N
20	1/2	4.724	1.969	1.969	0.098	0.684	6304005
25	3/4	4.724	1.969	2.165	0.106	0.573	6304007
32	1	4.724	1.969	2.362	0.114	0.595	6304010
40	1-1/4	4.724	1.969	2.953	0.146	0.882	6304012
50	1-1/2	4.724	1.969	3.150	0.181	0.904	6304015
63	2	4.724	2.047	3.307	0.228	0.882	6304020
75	2-1/2	4.724	1.969	4.134	0.142	1.433	6304025
90	3	5.866	2.362	4.134	0.169	1.367	6304030
110	4	5.906	2.362	4.882	0.209	1.830	6304040

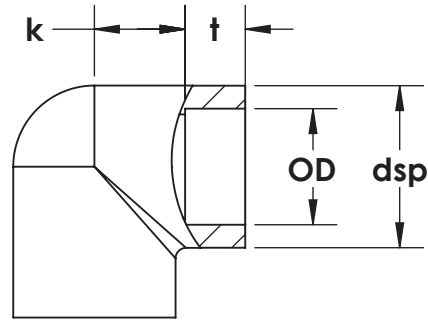


Probe Adapter

OD		SDR 11 / PN 10 / 150 PSI				
mm	inch	s	h	L	Asahi P/N	
20	1/2	0.075	1.000	1.500	6303005	
25	3/4	0.075	1.000	1.500	6303007	
32	1	0.094	1.000	1.500	6303010	
40	1-1/4	0.094	1.000	1.500	6303012	
50	1-1/2	0.114	1.000	1.500	6303015	
63	2	0.118	1.000	1.500	6303020	
75	2-1/2	0.141	1.000	1.500	6303025	
90	3	0.110	1.000	1.500	6303030	
110	4	0.138	1.000	1.500	6303040	

*Available as solid 1/4" or 1/2" tap

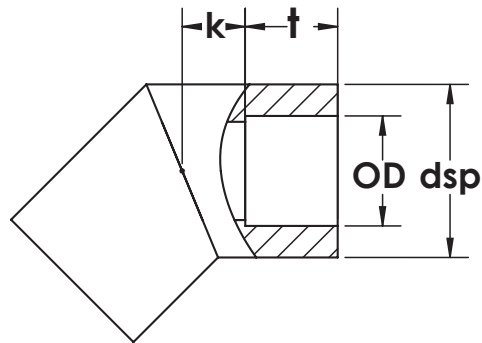
PolyPure™
Natural Polypropylene



90° Elbow

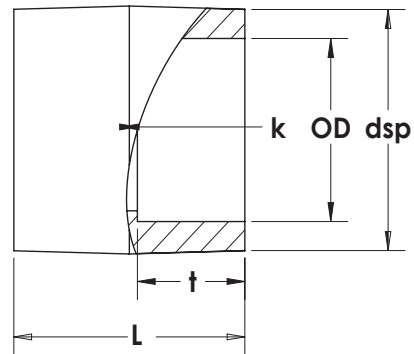
OD		Dimensions			SDR 11 / PN 10 / 150 PSI		
mm	inch	dsp	t	k	Weight (lbs)	Asahi P/N	Agru Code
20	1/2	1.154	0.630	0.551	0.044	6310005	16.051.0020.07
25	3/4	1.382	0.709	0.669	0.066	6310007	16.051.0025.07
32	1	1.701	0.787	0.787	0.110	6310010	16.051.0032.07
40	1-1/4	2.098	0.866	0.984	0.176	6310012	16.051.0040.07
50	1-1/2	2.579	0.984	1.102	0.309	6310015	16.051.0050.07
63	2	3.189	1.102	1.378	0.551	6310020	16.051.0063.07

PolyPure™
 Natural Polypropylene



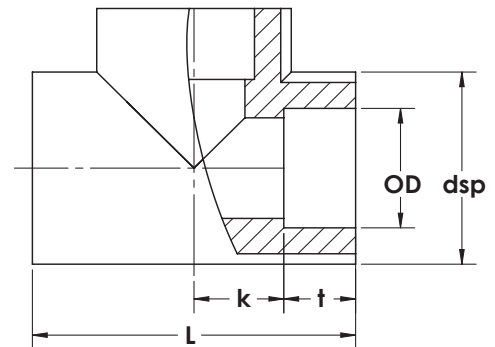
45° Elbow

OD		Dimensions			SDR 11 / PN 10 / 150 PSI		
mm	inch	dsp	t	k	Weight (lbs)	Asahi P/N	Agru Code
20	1/2	1.181	0.630	0.433	0.044	6315005	16.050.0020.07
25	3/4	1.378	0.709	0.551	0.066	6315007	16.050.0025.07
32	1	1.693	0.787	0.669	0.088	6315010	16.050.0032.07
40	1-1/4	2.087	0.866	0.827	0.154	6315012	16.050.0040.07
50	1-1/2	2.559	0.945	1.024	0.221	6315015	16.050.0050.07
63	2	3.189	1.142	1.299	0.397	6315020	16.050.0063.07



Coupling

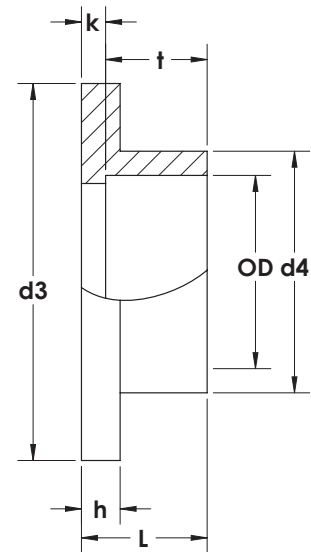
OD		Dimensions				SDR 11 / PN 10 / 150 PSI		
mm	inch	L	dsp	t	k	Weight (lbs)	Asahi P/N	Agru Code
20	1/2	1.378	1.157	0.630	0.118	0.022	6328005	16.053.0020.07
25	3/4	1.535	1.382	0.709	0.118	0.044	6328007	16.053.0025.07
32	1	1.693	1.701	0.787	0.118	0.066	6328010	16.053.0032.07
40	1-1/4	1.850	2.039	0.866	0.118	0.088	6328012	16.053.0040.07
50	1-1/2	2.047	2.535	0.945	0.157	0.132	6328015	16.053.0050.07
63	2	2.362	3.201	1.142	0.079	0.243	6328020	16.053.0063.07



Tees

OD		Dimensions				SDR 11 / PN 10 / 150 PSI		
mm	inch	L	dsp	t	k	Weight (lbs)	Asahi P/N	Agru Code
20	1/2	2.362	1.146	0.630	0.551	0.066	6320005	16.056.0020.07
25	3/4	2.756	1.386	0.709	0.669	0.088	6320007	16.056.0025.07
32	1	3.150	1.693	0.787	0.827	0.154	6320010	16.056.0032.07
40	1-1/4	3.701	2.087	0.866	0.984	0.221	6320015	16.056.0040.07
50	1-1/2	4.252	2.559	0.945	1.181	0.397	6320015	16.056.0050.07
63	2	5.157	3.189	1.142	1.437	0.662	6320020	16.056.0063.07

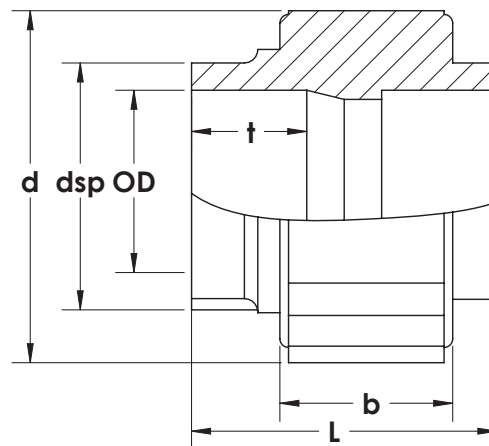
PolyPure™
Natural Polypropylene



Stub End*

OD		Dimensions						SDR 11 / PN 10 / 150 PSI		
mm	inch	L	d3	d4	h	t	k	Weight (lbs)	Asahi P/N	Agru Code
20	1/2	2.047	1.063	1.752	0.276	0.630	0.197	0.044	6331005	16.052.1020.07
25	3/4	1.969	1.299	2.130	0.354	0.670	0.197	0.066	6331007	16.052.1025.07
32	1	1.969	1.575	2.500	0.394	0.768	0.197	0.110	6331010	16.052.1032.07
40	1-1/4	1.969	1.969	2.815	0.433	0.827	0.197	0.132	6331012	16.052.1040.07
50	1-1/2	1.969	2.402	3.250	0.472	0.985	0.197	0.176	6331015	16.052.1050.07
63	2	1.969	2.953	3.953	0.551	1.103	0.197	0.287	6331020	16.052.1063.07

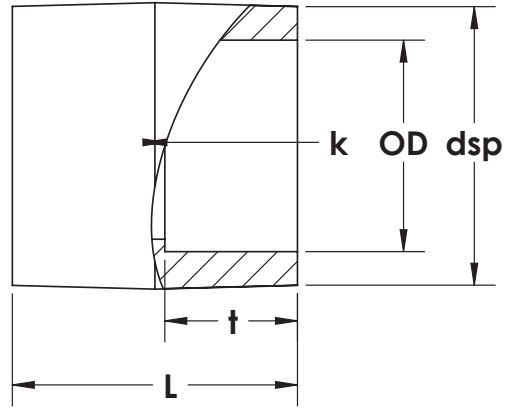
* Requires backing ring.



Union

OD		Dimensions					SDR 11 / PN 10 / 150 PSI			
mm	inch	L	d	b	dsp	t	Weight (lbs)	Asahi P/N	Agru Code	
20	1/2	1.772	1.850	0.945	1.075	0.630	0.040	6393005	16.024.1120.07	
25	3/4	1.929	2.244	1.024	1.406	0.709	0.060	6393007	16.024.1125.07	
32	1	2.087	2.520	1.181	1.626	0.787	0.080	6393010	16.024.1132.07	
40	1-1/4	2.323	3.071	1.220	2.079	0.866	0.130	6393012	16.024.1140.07	
50	1-1/2	2.638	3.504	1.378	2.307	0.965	0.180	6393015	16.024.1150.07	
63	2	3.110	4.291	1.535	2.898	1.142	0.300	6393020	16.024.1163.07	

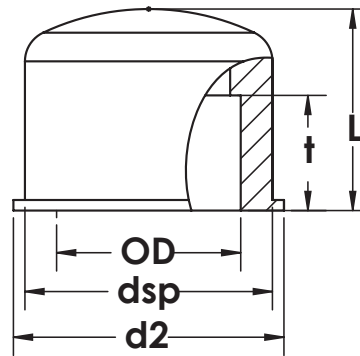
PolyPure™
Natural Polypropylene



IPS Coupling Adapter

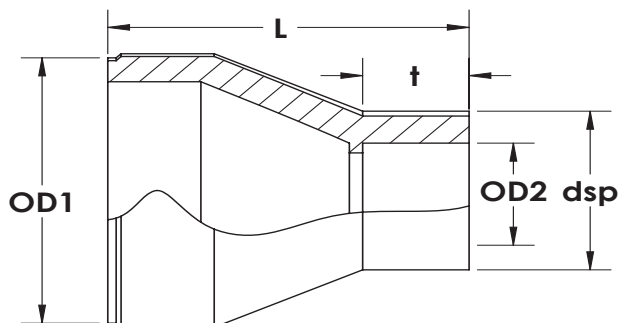
OD		Dimensions				SDR 11 / PN 10 / 150 PSI	
mm	inch	L	dsp	t	k	Weight (lbs)	Asahi P/N
20	1/2	1.378	1.157	0.630	0.118	0.022	6329005
25	3/4	1.535	1.382	0.709	0.118	0.044	6329007
32	1	1.693	1.701	0.787	0.118	0.066	6329010
40	1 1/4	1.850	2.039	0.866	0.118	0.088	6329012
50	1 1/2	2.047	2.535	0.945	0.157	0.132	6329015
63	2	2.362	3.201	1.142	0.079	0.243	6329020

PolyPure™
Natural Polypropylene



End Cap

OD		Dimensions				SDR 11 / PN 10 / 150 PSI		
mm	inch	L	d2	dsp	t	Weight (lbs)	Asahi P/N	Agru Code
20	1/2	2.259	1.260	1.142	0.630	0.022	6340005	16.054.0020.07
25	3/4	2.606	1.496	1.378	0.709	0.022	6340007	16.054.0025.07
32	1	3.041	1.850	1.693	0.787	0.044	6340010	16.054.0032.07
40	1-1/4	3.301	2.283	2.067	0.866	0.066	6340012	16.054.0040.07
50	1-1/2	4.344	2.756	2.539	0.945	0.154	6340015	16.054.0050.07
63	2	5.126	3.425	3.228	1.142	0.287	6340020	16.054.0063.07



Reducer

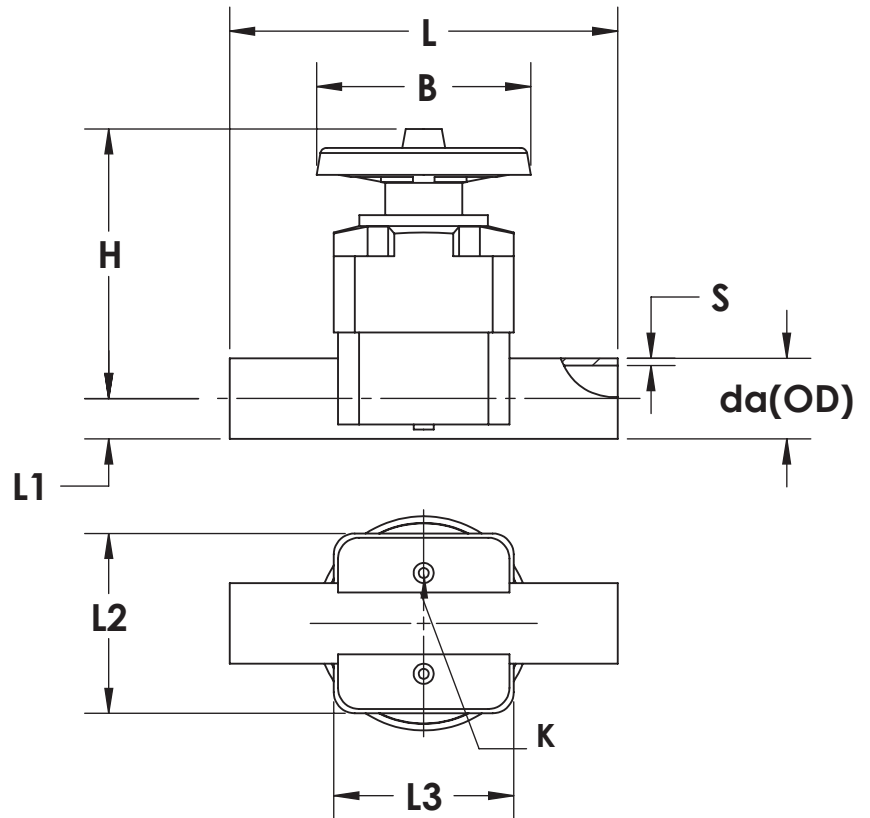
OD		Dimensions			SDR 11 / PN 10 / 150 PSI		
mm	inch	L	dsp	t	Weight (lbs)	Asahi P/N	Agro Code
25/20	3/4 x 1/2	1.535	1.181	0.630	0.022	6339101	16.057.2520.07
32/20	1 x 1/2	1.791	1.181	0.630	0.044	6339130	16.057.3220.07
32/25	1 x 3/4	1.772	1.378	0.709	0.044	6339131	16.057.3225.07
40/25	1 1/4 x 3/4	1.969	1.358	0.709	0.044	6339167	16.057.4025.07
40/32	1 1/4 x 1	1.969	1.685	0.787	0.066	6339168	16.057.4032.07
50/25	1 1/2 x 3/4	2.165	1.366	0.709	0.066	6339210	16.057.5025.07
50/32	1 1/2 x 1	2.165	1.720	0.787	0.088	6339211	16.057.5032.07
50/40	1 1/2 x 1-1/4	2.165	2.079	0.866	0.110	6339212	16.057.5040.07
63/32	2 x 1	2.559	1.689	0.787	0.132	6339249	16.057.6332.07
63/40	2 x 1-1/4	2.559	2.079	0.866	0.154	6339250	16.057.6340.07
63/50	2 x 1-1/2	2.559	2.551	0.945	0.154	6339251	16.057.6350.07

PolyPure™
 Natural Polypropylene

Reducing Tee

OD		Dimensions						SDR 11 / PN 10 / 150 PSI		
mm	inch	z	L	dsp	dsp1	t	t1	Weight (lbs)	Asahi P/N	Agro Code
25/20	3/4 x 1/2	1.256	2.697	1.370	1.177	0.709	0.630	0.110	6324101	16.055.2520.07
32/20	1 x 1/2	1.567	3.138	1.693	1.177	0.787	0.630	0.110	6324130	16.055.3220.07
32/25	1 x 3/4	1.575	3.130	1.693	1.378	0.787	0.709	0.132	6324131	16.055.3225.07
40/25	1 1/4 x 3/4	1.843	3.563	2.094	1.390	0.866	0.709	0.221	6324167	16.055.4025.07
40/32	1 1/4 x 1	1.772	3.583	2.087	1.693	0.866	0.787	0.221	6324168	16.055.4032.07
50/25	1 1/2 x 3/4	2.008	4.331	2.579	1.398	0.945	0.709	0.353	6324210	16.055.5025.07
50/32	1 1/2 x 1	2.126	4.252	2.559	1.693	0.945	0.787	0.353	6324211	16.055.5032.07
63/32	2 x 1	2.559	5.118	3.189	1.713	1.142	0.787	0.706	6324249	16.055.6332.07
63/50	2 x 1 1/2	2.559	5.118	3.189	2.598	1.142	0.945	0.728	6324251	16.055.6350.07

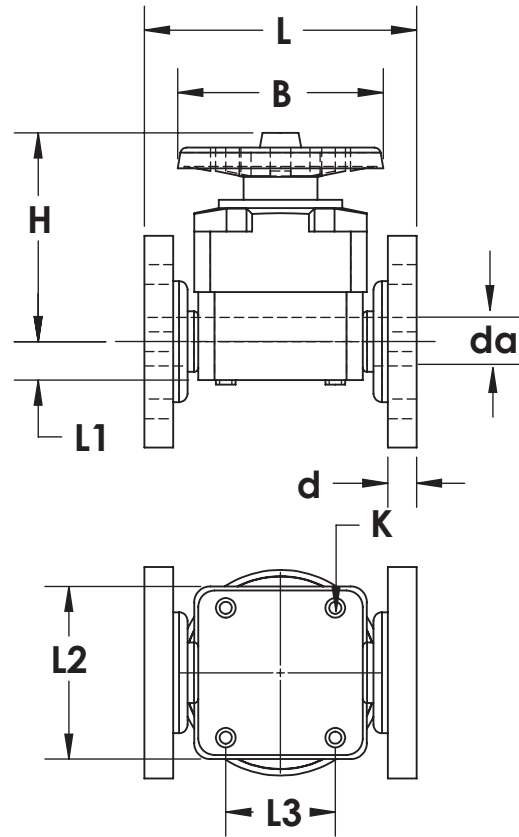
PolyPure™
Natural Polypropylene



T342 Diaphragm Valve
-Manually Controlled
-EPDM/PTFE Diaphragm

OD		Dimensions										SDR 11 / PN 10 / 150 PSI		
mm	inch	OD	S	L	L1	L2	L3	H	B	DN	K	Weight (lbs)	Asahi P/N	Agru Code
20	1/2	0.787	0.075	5.236	0.650	0.965	0.000	3.937	3.346	15	M6	1.100	6351005	16.342.1520.11
25	3/4	0.984	0.075	5.669	0.650	0.965	0.000	3.937	3.346	20	M6	1.122	6351007	16.342.1525.11
32	1	1.260	0.094	6.063	0.807	0.965	0.000	4.213	3.346	25	M6	1.606	6351010	16.342.1532.11
40	1 1/4	1.575	0.094	7.598	1.004	1.732	0.000	5.669	5.315	32	M8	3.476	6351012	16.342.1540.11
50	1 1/2	1.969	0.118	7.638	1.260	1.732	0.000	5.669	5.315	40	M8	3.674	6351015	16.342.1550.11
63	2	2.480	0.118	8.819	1.516	1.732	0.000	6.693	5.315	50	M8	5.390	6351020	16.342.1563.11

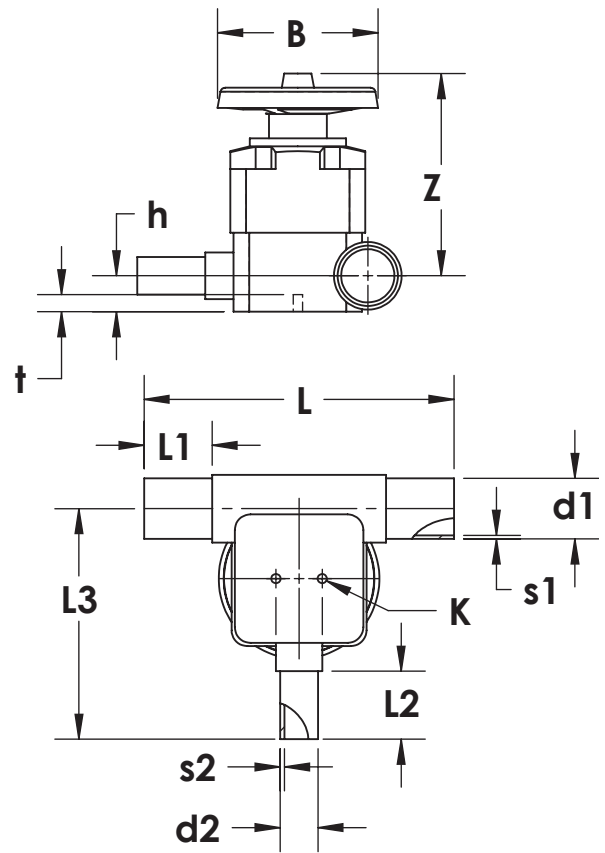
PolyPure™
 Natural Polypropylene



T342 Diaphragm Valve
-Flanged Connection, ANSI
-Manually Controlled
-EPDM/PTFE Diaphragm

OD		Dimensions										SDR 11 / PN 10 / 150 PSI		
mm	inch	da	S	L	L1	L2	L3	H	B	DN	K	Weight (lbs)	Asahi P/N	Agru Code
20	1/2	0.787	0.075	7.795	0.650	0.965	3.543	3.386	1.870	15	M6	1.100	1181005	35.340.0020.21
25	3/4	0.984	0.075	8.740	0.650	0.965	4.252	3.386	2.283	20	M6	1.122	1181007	35.340.0025.21
32	1	1.260	0.094	9.291	0.791	0.965	4.567	3.386	2.559	25	M6	1.606	1181010	35.340.0032.21
40	1 1/4	1.575	0.094	10.236	1.004	1.732	5.276	5.354	3.110	32	M8	3.476	1181012	35.340.0040.21
50	1 1/2	1.969	0.118	11.260	1.240	1.732	6.063	5.354	3.543	40	M8	3.674	1181015	35.340.0050.21
63	2	2.480	0.118	12.677	1.516	1.732	7.244	5.354	4.331	50	M8	5.390	1181020	35.340.0063.21

Valves



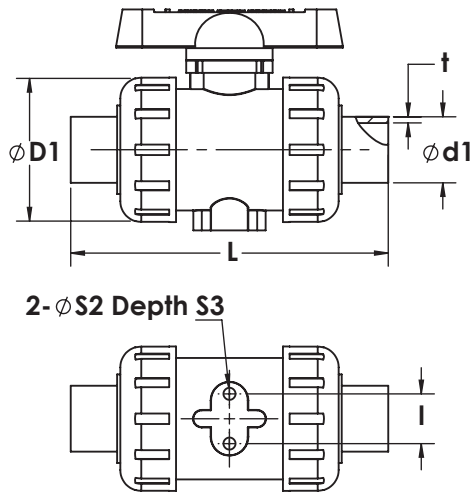
T-343 Diaphragm Valve
-Manually Controlled
-EPDM/PTFE Diaphragm

OD		Dimensions													PN 10 / S10 / SDR 21				
mm	inch	s1	z	L	L1	L2	L3	s2	d1	d2	h	b	t	DN	DN2	K	Weight (lbs)	Asahi PN	Agro PN
20/20	1/2/1/2	0.075	5.669	6.457	1.417	2.638	1.496	0.077	4.646	1.024	0.512	0.984	0.787	20	15	M6	1.364	6345005	16.343.2021.11
25/20	3/4/1/2	0.075	5.669	6.457	1.417	2.638	1.496	0.075	4.646	1.024	0.551	0.984	0.787	20	15	M6	1.320	6345101	
25/25	3/4/3/4	0.075	5.591	6.457	1.417	2.756	1.496	0.075	4.646	1.024	0.591	0.984	0.787	20	20	M6	1.342	6345007	
32/20	1/1/2	0.094	5.906	6.457	1.417	2.283	1.417	0.075	5.039	1.181	0.669	0.984	0.787	25	15	M6	1.958	6345130	16.343.3221.11
32/25	1/3/4	0.094	5.906	6.457	1.417	2.362	1.417	0.075	5.039	1.181	0.669	0.984	0.787	25	20	M6	1.958	6345131	16.343.3226.11
32/32	1/1	0.094	5.906	6.457	1.417	2.402	1.417	0.094	5.039	1.181	0.709	0.984	0.787	25	25	M6	2.046	6345010	16.343.3233.11
40/20	1 1/4/1/2	0.094	6.102	7.244	1.811	2.283	1.417	0.075	5.039	1.378	0.827	0.984	0.787	32	15	M6	2.090	6345166	16.343.4021.11
40/25	1 1/4/3/4	0.094	6.102	7.244	1.811	2.362	1.417	0.075	5.039	1.378	0.846	0.984	0.787	32	20	M6	2.090	6345167	16.343.4026.11
40/32	1 1/4/1	0.094	6.102	7.244	1.811	2.402	1.417	0.094	5.039	1.378	0.846	0.984	0.787	32	25	M6	2.024	6345168	16.343.4033.11
50/20	1 1/2/1/2	0.118	6.319	7.244	1.811	2.323	1.417	0.075	5.039	1.535	1.043	0.984	0.787	40	15	M6	2.288	6345208	16.343.5021.11
50/32	1 1/2/1	0.118	6.260	7.244	1.811	2.402	1.417	0.094	5.039	1.535	1.043	0.984	0.787	40	25	M6	2.288	6345211	16.343.5033.11
63/32	2/1	0.118	6.614	7.244	1.811	2.402	1.417	0.094	5.039	1.831	1.299	0.984	0.787	50	25	M6	2.486	6345249	16.343.6333.11

T-343 Diaphragm Valve
-Manually Controlled
-EPDM/PTFE Diaphragm
(Continued)

OD		Dimensions														PN 10 / S10 / SDR 21			
mm	inch	s1	z	L	L1	L2	L3	s2	d1	d2	h	b	t	DN	DN2	K	Weight (lbs)	Asahi PN	Agro PN
63/40	2/1 1/4	0.118	9.528	9.252	1.811	3.484	1.969	0.094	7.835	2.362	1.299	1.772	2.244	50	32	M8	7.018		35.343.6340.21
63/50	2/1 1/2	0.118	9.528	9.252	1.811	3.661	1.969	0.118	7.835	2.362	1.299	1.772	2.244	50	40	M8	7.040		35.343.6350.21
63/63	2/2	0.118	9.528	9.252	1.811	3.937	1.969	0.118	7.835	2.362	1.299	1.772	2.244	50	50	M8	6.952		35.343.6363.21
75/25	2. 1/23/4	0.142	7.047	8.268	1.299	2.382	1.496	0.075	5.236	2.205	0.906	0.984	1.299	65	20	M6	2.838		35.343.7525.21
75/32	2 1/2/1	0.142	7.047	8.268	1.299	2.559	1.496	0.094	5.236	2.205	0.906	0.984	1.299	65	25	M6	2.816		35.343.7532.21
75/40	2 1/2/1 1/4	0.142	9.764	8.268	1.299	3.465	1.969	0.094	7.835	2.559	1.535	1.772	2.480	63	32	M8	7.172		35.343.7540.21
75/50	2 1/2/1 1/2	0.142	9.764	8.268	1.299	3.661	1.969	0.118	7.835	2.559	1.535	1.772	2.480	63	40	M8	7.150		35.343.7550.21
75/63	2 1/2/2	0.142	9.764	8.268	1.299	3.937	1.969	0.118	7.835	2.559	1.535	1.772	2.480	63	50	M8	7.084		35.343.7563.21
90/20	3/1/2	0.169	7.402	8.268	1.299	2.283	1.496	0.075	5.315	2.559	0.925	0.984	1.417	80	15	M6	3.300		35.343.9020.21
90/25	3/3/4	0.169	7.402	8.268	1.299	2.382	1.496	0.075	5.315	2.559	0.925	0.984	1.417	80	20	M6	3.278		35.343.9025.21
90/32	3/1	0.169	7.402	8.268	1.299	2.520	1.496	0.094	5.315	2.559	0.925	0.984	1.417	80	25	M6	3.300		35.343.9032.21
90/40	3/1 1/4	0.169	10.039	8.268	1.299	3.465	1.969	0.094	7.835	2.835	1.831	1.772	2.677	80	32	M8	7.546		35.343.9040.21
90/50	3/1 1/2	0.169	10.039	8.268	1.299	3.681	1.969	0.118	7.835	2.835	1.831	1.772	2.559	80	40	M8	7.392		35.343.9050.21
90/63	3/2	0.169	10.039	8.268	1.299	3.937	1.969	0.118	7.835	2.835	1.831	1.772	2.559	80	50	M8	7.524		35.343.9063.21
110/20	4/1/2	0.209	7.677	8.268	1.299	2.165	1.378	0.075	5.512	2.795	1.319	0.984	1.909	100	20	M6	3.938		35.343.1120.21
110/25	4/3/4	0.209	7.795	8.268	1.299	2.264	1.496	0.075	5.512	2.795	1.319	0.984	1.693	100	20	M6	3.828		35.343.1125.21
110/32	4/1	0.209	7.795	8.268	1.299	2.402	1.496	0.094	5.512	2.795	1.319	0.984	1.693	100	25	M6	3.960		35.343.1132.21
110/40	4/1 1/4	0.209	10.512	8.268	1.299	3.484	1.969	0.094	7.835	2.835	2.224	1.772	2.953	100	32	M8	8.294		35.343.1140.21
110/50	4/1 1/2	0.209	10.512	8.268	1.299	3.681	1.969	0.118	7.835	2.835	2.224	1.772	3.071	100	40	M8	8.316		35.343.1150.21
110/63	4/2	0.209	10.512	8.268	1.299	3.937	1.969	0.118	7.835	2.835	2.224	1.772	2.953	100	50	M8	8.250		35.343.1163.21
90/20	3/1/2	0.110	7.402	8.268	1.299	2.283	1.496	0.075	5.315	2.559	0.925	0.984	1.417	80	15	M6	2.926		35.343.9020.31
90/25	3/3/4	0.110	7.402	8.268	1.299	2.382	1.496	0.075	5.315	2.559	0.925	0.984	1.417	80	20	M6	2.926		35.343.9025.31
90/32	3/1	0.110	7.402	8.268	1.299	2.520	1.496	0.094	5.315	2.559	0.925	0.984	1.417	80	25	M6	2.948		35.343.9032.31
90/40	3/1 1/4	0.110	10.039	8.268	1.299	3.465	1.969	0.094	7.835	2.835	1.831	1.772	2.677	80	32	M8	7.194		35.343.9040.31
90/50	3/1 1/2	0.110	10.039	8.268	1.299	3.681	1.969	0.118	7.835	2.835	1.831	1.772	2.559	80	40	M8	7.436		35.343.9050.31
90/63	3/2	0.110	10.039	8.268	1.299	3.937	1.969	0.118	7.835	2.835	1.831	1.772	2.559	80	50	M8	7.128		35.343.9063.31
110/20	4/1/2	0.134	7.559	8.268	1.299	2.165	1.378	0.075	5.512	2.795	1.319	0.984	1.909	100	20	M6	3.674		35.343.1120.31
110/25	4/3/4	0.134	7.795	8.268	1.299	2.264	1.496	0.075	5.512	2.795	1.319	0.984	1.693	100	20	M6	3.564		35.343.1125.31
110/32	4/1	0.134	7.795	8.268	1.299	2.402	1.496	0.094	5.512	2.795	1.319	0.984	1.693	100	25	M6	3.564		35.343.1132.31
110/40	4/1 1/4	0.134	10.512	8.268	1.299	3.484	1.969	0.094	7.835	2.835	2.224	1.772	2.953	100	32	M8	8.008		35.343.1140.31
110/50	4/1 1/2	0.134	10.512	8.268	1.299	3.681	1.969	0.118	7.835	2.835	2.224	1.772	3.071	100	40	M8	7.832		35.343.1150.31
110/63	4/2	0.134	10.512	8.268	1.299	3.937	1.969	0.118	7.835	2.835	2.224	1.772	2.953	100	50	M8	7.502		35.343.1163.31

PolyPure™
Natural Polypropylene



Type 21 Ball Valve

OD		Dimensions					SDR 11 / PN 10 / 150 PSI
mm	inch	D1	d1	L	l	t	Asahi P/N
20	1/2	1.890	0.787	4.882	0.728	0.098	6345005
25	3/4	2.360	0.984	5.670	0.866	0.106	6345007
32	1	2.760	1.260	6.063	0.866	0.118	6345010
40	1 1/4	3.230	1.575	6.850	1.024	0.146	6345012
50	1 1/2	3.940	1.969	7.638	1.260	0.181	6345015
63	2	4.960	2.480	8.819	1.417	0.228	6345020

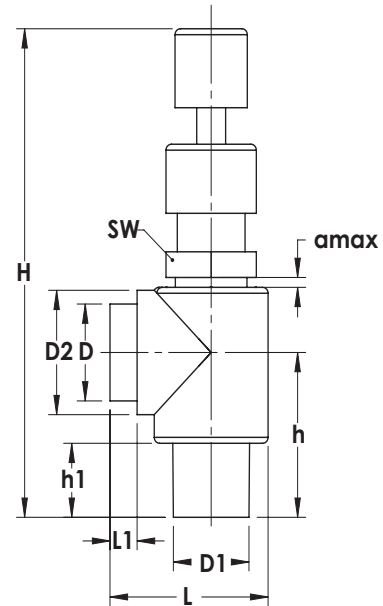
Inline Gauge Guard

OD		Dimensions					SDR 11 / PN 10 / 150 PSI
mm	inch	L	B	D	E	t	Asahi P/N
20	1/2	6.270	3.870	1.810	1.200	0.098	630249005
25	3/4	6.670	3.870	2.200	1.400	0.106	630249007
32	1	6.870	3.870	2.640	1.500	0.118	630249010
40	1 1/4	7.270	3.870	3.230	1.700	0.146	630249012
50	1 1/2	7.670	3.870	3.860	1.900	0.181	630249015
63	2	8.070	3.870	4.720	2.100	0.228	630249020

**Ball Check Valve
Flare End**

OD		Dimensions				SDR 21 / PN 16 / 230 PSI
mm	inch	D	L	t	s	Asahi P/N
20	1/2	1.871	5.885	1.665	0.098	6332005
25	3/4	2.279	6.569	1.745	0.109	6332007
32	1	2.553	7.615	1.745	0.120	6332010
40	1-1/4	3.115	8.043	1.875	0.144	6332012
50	1-1/2	3.568	8.37	1.945	0.179	6332015
63	2	4.355	8.775	1.966	0.226	6332020

*Dimensions for Asahi machined butt/IR end



Angle Needle Valve

OD		Dimensions							PN 10 /150 PSI			
Inlet	Outlet	D	D1	D2	H	h	amax	L	L1	SW	Weight (lbs)	Asahi P/N
1/4" FNPT	1/4" FNPT	0.79	0.98	0.98	3.94	1.38	0.28	1.48	0.31	0.81	0.231	6382002
1/2" FNPT	1/2" FNPT	1.18	1.26	1.26	4.67	1.38	0.35	1.97	0.55	1.06	0.231	6382005
16mm Butt	1/4" FNPT	0.79	0.63	0.98	3.72	1.16	0.28	1.48	0.31	0.81	0.231	6380002
20mm Butt	1/2" FNPT	1.18	0.79	1.26	4.63	1.34	0.35	1.97	0.55	1.06	0.231	6380005

PolyPure™
Natural Polypropylene

WARRANTY

Warranty; Limitation on Liability. Asahi/America, Inc., (“Seller”) warrants, to the original Buyer only, that all products delivered hereunder shall be free from defects in design and manufacture for a period of one year from the date of delivery, provided that such products are installed, used, operated, adjusted and serviced only in a proper and appropriate manner and in strict accordance with any instructions relating thereto furnished to Buyer by Seller. In no event shall the foregoing warranty extend to any products in any way caused or allowed to be, or installed, operated or used in such a manner as to be, subject or exposed to conditions of misuse, abuse or accident.

THE FOREGOING WARRANTY IS EXCLUSIVE AND IN LIEU OF ANY AND ALL OTHER WARRANTIES, EXPRESS OR IMPLIED. NO WARRANTY OF MERCHANTABILITY, NO IMPLIED WARRANTY OF FITNESS FOR ANY PARTICULAR PURPOSE, AND NO IMPLIED WARRANTY ARISING BY USAGE OF TRADE, COURSE OF DEALING OR COURSE OF PERFORMANCE IS GIVEN BY SELLER OR SHALL ARISE BY OR IN CONNECTION WITH THIS SALE AND/OR THE SELLER’S AND/OR BUYER’S CONDUCT IN RELATION THERETO OR TO EACH OTHER, AND IN NO EVENT SHALL SELLER BE LIABLE ON ANY SUCH WARRANTY WITH RESPECT TO ANY PRODUCT.

Liability of the Seller under or in connection with this sale and/or the foregoing warranty shall be limited, at the sole option of the Seller, to one repair of, replacement of, or a refund of the purchase price of any products or part thereof (a), with respect to which Seller receives, promptly after Buyer’s discovery of any alleged defect and prior to the expiration of the one-year warranty period as provided above, notice from Buyer or Buyer’s claim defect and (b) which shall be returned to Seller by Buyer, as provided herein, promptly after Buyer’s discovery of such alleged defect and which shall be determined by the Seller to have proven defective within the one-year warranty period provided above; failure by Buyer to notify Seller and return such products to Seller after Buyer’s discovery of such alleged defect shall constitute a waiver by Buyer of any and all claims of any kind with respect thereto. Any products returned by Buyer to Seller under the foregoing terms shall be returned to Seller’s place of business freight prepaid, accompanied or preceded by Buyer’s particularized statement of the claimed defect. The risk of loss and freight charges to and from Seller in connection with any returned products shall be borne by Buyer; but Seller shall bear such additional freight charges arising in connection with any such returned products ultimately determined by Seller to be defective under the terms of the foregoing warranty, the cost of repair or replacement (if any) of such products, and the risk of loss or damage which such products are in Seller’s possession at its place of business. The foregoing remedy shall constitute the sole and exclusive remedy of the Buyer under or in connection with this sale and/or warranty of the Seller. Except as specifically provided herein, Seller shall not be responsible or liable for any costs, expenses or damages of Buyer in connection with any removal, repair or replacement (including any attempts or actions relating thereto) of any allegedly defective products, and no charge of setoff of any kind of Buyer relating thereto shall be made against the Seller without prior and specific written approval of Seller.

IN NO EVENT SHALL SELLER BE RESPONSIBLE OR LIABLE FOR ANY SPECIAL, INDIRECT, INCIDENTAL OR CONSEQUENTIAL DAMAGES ARISING IN ANY WAY IN CONNECTION WITH ANY PRODUCTS OR THIS SALE.

The agreement of Seller to sell its products is expressly conditioned upon the Buyer’s assent to, and Seller agrees to sell its products only upon, all terms and conditions set forth above and on the face hereof. Buyer’s acceptance of any products provided under this sale shall constitute such assent.



35 Green Street, PO Box 653, Malden, MA 02148
Tel: (781) 321-5409 - Toll Free: (800) 343-3618 - Fax: (781) 397-8831 - (800) 787-6861
www.asahi-america.com - asahi@asahi-america.com
Direct Sales: East (800) 232-7244 / Central (800) 442-7244 / West (800) 282-7244