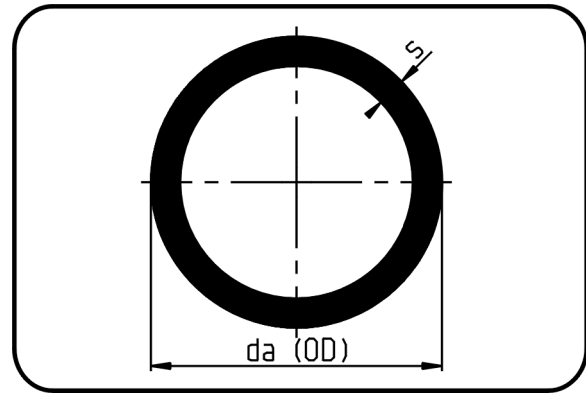


PVDF LINER VENTILATION EXHAUST SYSTEM

- Rohr 5m
- Pipe 5m
- extrudiert
- extruded
- AGRU-Vent PVDF
- AGRU-Vent PVDF



Code 705

Dimension Dimension	Code Code	Detail Detail	da(OD) mm	s mm	Gewicht Weight
63	34.705.0063.33	63X2,5	63	2,5	0,93
110	34.705.0110.00	110X3,0	110	3	1,94
140	34.705.0140.00	140X3,0	140	3	2,49
160	34.705.0160.00	160X3,0	160	3	2,86
200	34.705.0200.00	200X3,0	200	3	3,58
250	34.705.0250.00	250X3,0	250	3	4,48
315	34.705.0315.00	315X4,0	315	4	7,47
355	34.705.0355.00	355X4,0	355	4	9,34
400	34.705.0400.00	400X5,0	400	5	11,81

PVDF UHP
PVDF UHP

PP-Pure
PP-Pure

Polypure
Polypure

PVDF Vent.
PVDF Vent.

Zubehoer
Accessories

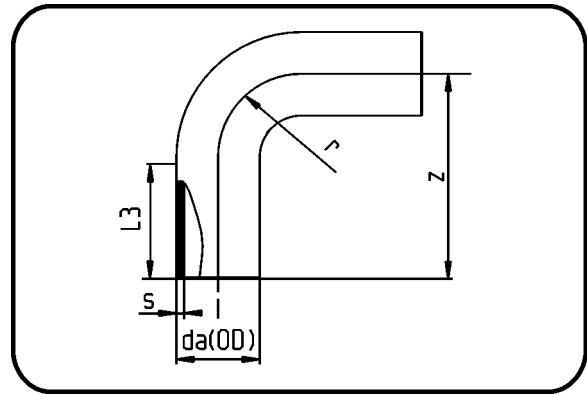
Seal Clean
Seal Clean

Schweißen
Welding



PVDF LINER VENTILATION EXHAUST SYSTEM

- **MULTI-Bogen 90°**
lange Schenkel
formgespritzt
- **MULTI-Bend 90°**
long spigot
injection moulded
- **Stumpf+IR+HPF-Schweissung**
- **Butt+IR+HPF-welding**
- **AGRU-Vent PVDF**
- **AGRU-Vent PVDF**



Code 068

Dimension Dimension	Code Code	Detail Detail	da(OD) mm	s mm	z mm	r mm	L3 mm	Gewicht Weight
110	34.068.0110.33	110X3,4 SDR33 ISO S-16	110	3,4	142	110	34	0,68
63	34.068.0063.21	63X3,0 SDR21 ISO S-10	63	3	97	63	35	0,21

PVDF UHP
PVDF UHP

PP-Pure
PP-Pure

Polypure
Polypure

PVDF Vent.
PVDF Vent.

Zubehoer
Accessories

Seal Clean
Seal Clean

Schweissen
Welding

