

T-343 Purad PVDF Zero Static Diaphragm Valve

Valves are cleanroom produced, assembled and packaged

Angle body requires less clearance to install, ideal for tight spaces

All valves come standard with integral lock out device to prevent unauthorized cycling

All valves are 150 psi rated at 68°F and designed for high temperature service



SPECIFICATION

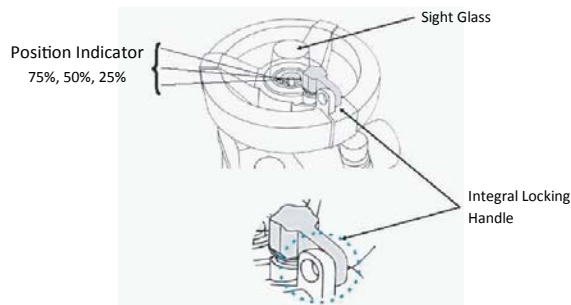
½" x ½" through 4" x 2" (20mm x 20mm through 110mm x 63mm) reduced dead leg (zero dead leg) valves shall be Type 343 Style from the Purad System. Valves shall be made of PVDF Solef resin. Valve bodies are to be unibody, molded design with a full 150 psi rating at 70°F. All metal nuts and bolts must be capped or covered to reduce metal exposure. Top Works must include integral lock out device on the handle and position indicator.

3" x ½" through 4" x 2" (90mm x 20mm through 110mm x 63mm) are available in both SDR21 & SDR33.

Complete line of fabricated valves are available. Consult factory for details.

UNIQUE HANDLE DESIGN

Integral Locking Handle can be locked in multiple positions to prevent unauthorized cycling. Locking Handle is spring loaded for easy locking/unlocking. Position indication for 25%, 50% and 75% open positions.



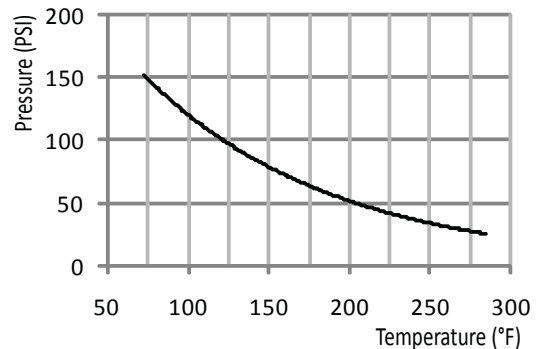
OPTIONS

T-343 Diaphragm Valves can be supplied with a complete line of pneumatic actuation, electric controllers, manual overrides, mechanical limiters & position indicators.

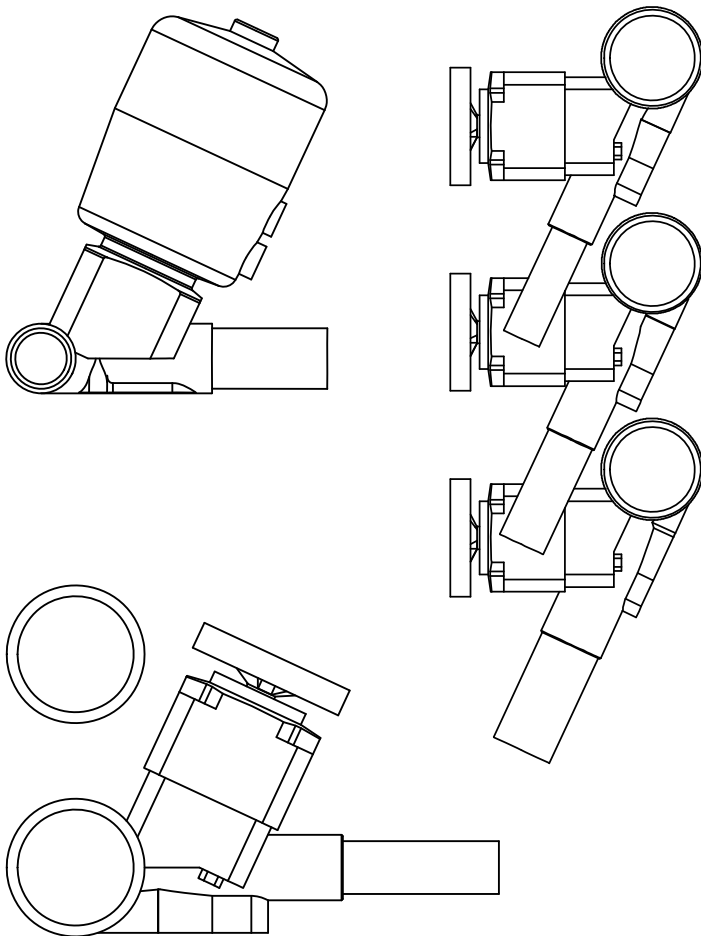
Please consult factory for details.

TECHNICAL SPECIFICATIONS

Body Material: Purad PVDF
 Bonnet: PPG
 Diaphragm: PTFE backed EPDM
 Maximum Pressure: 10 bar @ 20C, 150 psi @ 68 °F (SDR21 & SDR33)



| SIZE | | Cv at Different Open Position (GPM) | | | |
|------|-------|-------------------------------------|-------|-------|-------|
| mm | inch | 25% | 50% | 75% | 100% |
| 20 | 1/2 | 9.5 | 15.1 | 17.8 | 19.0 |
| 25 | 3/4 | 12.4 | 19.6 | 23.3 | 24.6 |
| 32 | 1 | 29.1 | 46.5 | 55.5 | 58.4 |
| 40 | 1-1/4 | 59.5 | 94.6 | 113.1 | 118.9 |
| 50 | 1-1/2 | 66.1 | 105.7 | 125.5 | 132.1 |
| 63 | 2 | 115.7 | 183.6 | 219.6 | 231.2 |
| 75 | 2-1/2 | 143.5 | 247.0 | 286.7 | 318.4 |
| 90 | 3 | 196.6 | 279.0 | 323.4 | 359.3 |
| 110 | 4 | 445.2 | 739.8 | 881.1 | 990.8 |



DIMENSIONS

| SIZE | SDR 21 | s1 | s2 | SDR 33 | s1 | s2 | L | L1 | L2 | L3 | L4 | h | k | e | d | |
|--------|---------------|---------|-------|--------|---------|-------|------|------|------|------|-------|------|------|------|------|------|
| 20/20 | 1/2 X 1/2 | 1246005 | 0.075 | 0.077 | | | 6.46 | 1.42 | 2.64 | 5.67 | 4.65 | 0.51 | 0.98 | M6 | 1.50 | |
| 25/20 | 3/4 X 1/2 | 1246101 | 0.075 | 0.075 | | | 6.46 | 1.42 | 2.64 | 5.67 | 4.65 | 0.55 | 0.98 | M6 | 1.50 | |
| 25/25 | 3/4 X 3/4 | 1246007 | 0.075 | 0.075 | | | 6.46 | 1.42 | 2.76 | 5.59 | 4.65 | 0.59 | 0.98 | M6 | 1.50 | |
| 32/20 | 1 X 1/2 | 1246130 | 0.094 | 0.075 | | | 6.46 | 1.42 | 2.28 | 5.91 | 5.04 | 0.67 | 0.98 | M6 | 1.42 | |
| 32/25 | 1 X 3/4 | 1246131 | 0.094 | 0.075 | | | 6.46 | 1.42 | 2.36 | 5.91 | 5.04 | 0.67 | 0.98 | M6 | 1.42 | |
| 32/32 | 1 X 1 | 1246010 | 0.094 | 0.094 | | | 6.46 | 1.42 | 2.40 | 5.91 | 5.04 | 0.71 | 0.98 | M6 | 1.42 | |
| 40/20 | 1 1/4 X 1/2 | 1246166 | 0.094 | 0.075 | | | 7.24 | 1.81 | 2.28 | 6.10 | 5.04 | 0.83 | 0.98 | M6 | 1.42 | |
| 40/25 | 1 1/4 X 3/4 | 1246167 | 0.094 | 0.075 | | | 7.24 | 1.81 | 2.36 | 6.10 | 5.04 | 0.85 | 0.98 | M6 | 1.42 | |
| 40/32 | 1 1/4 X 1 | 1246168 | 0.094 | 0.094 | | | 7.24 | 1.81 | 2.40 | 6.10 | 5.04 | 0.85 | 0.98 | M6 | 1.42 | |
| 50/20 | 1 1/2 X 1/2 | 1246208 | 0.118 | 0.075 | | | 7.24 | 1.81 | 2.32 | 6.32 | 5.04 | 1.04 | 0.98 | M6 | 1.42 | |
| 50/25 | 1 1/2 X 3/4 | 1246210 | 0.118 | 0.075 | | | 7.24 | 1.81 | 2.36 | 6.32 | 5.04 | 1.04 | 0.98 | M6 | 1.42 | |
| 50/32 | 1 1/2 X 1 | 1246211 | 0.118 | 0.094 | | | 7.24 | 1.81 | 2.40 | 6.26 | 5.04 | 1.04 | 0.98 | M6 | 1.42 | |
| 63/20 | 2 X 1/2 | 1246246 | 0.118 | 0.075 | | | 7.24 | 1.81 | 2.28 | 6.61 | 5.04 | 1.30 | 0.98 | M6 | 1.42 | |
| 63/25 | 2 X 3/4 | 1246248 | 0.118 | 0.075 | | | 7.24 | 1.81 | 2.36 | 6.61 | 5.04 | 1.30 | 0.98 | M6 | 1.42 | |
| 63/32 | 2 X 1 | 1246249 | 0.118 | 0.094 | | | 7.24 | 1.81 | 2.40 | 6.61 | 5.04 | 1.30 | 0.98 | M6 | 1.42 | |
| 63/40 | 2 x 1-1/4 | 1246250 | 0.118 | 0.094 | | | 9.25 | 1.81 | 3.48 | 9.53 | 7.83 | 1.30 | 1.77 | M8 | 1.97 | |
| 63/50 | 2 X 1 1/2 | 1246251 | 0.118 | 0.118 | | | 9.25 | 1.81 | 3.66 | 9.53 | 7.83 | 1.30 | 1.77 | M8 | 1.97 | |
| 63/63 | 2 X 2 | 1246020 | 0.118 | 0.118 | | | 9.25 | 1.81 | 3.94 | 9.53 | 7.83 | 1.30 | 1.77 | M8 | 1.97 | |
| 75/25 | 2 1/2 X 3/4 | 1246286 | 0.142 | 0.075 | | | 8.27 | 1.30 | 2.38 | 7.05 | 5.24 | 0.91 | 0.98 | M6 | 1.50 | |
| 75/32 | 2-1/2 x 1 | 1246289 | 0.142 | 0.094 | | | 8.27 | 1.30 | 2.56 | 7.05 | 5.24 | 0.91 | 0.98 | M6 | 1.50 | |
| 75/40 | 2 1/2 X 1 1/4 | 1246290 | 0.142 | 0.094 | | | 8.27 | 1.30 | 3.46 | 9.76 | 7.83 | 1.54 | 1.77 | M8 | 1.97 | |
| 75/50 | 2 1/2 X 1 1/2 | 1246291 | 0.142 | 0.118 | | | 8.27 | 1.30 | 3.66 | 9.76 | 7.83 | 1.54 | 1.77 | M8 | 1.97 | |
| 75/63 | 2 1/2 X 2 | 1246292 | 0.142 | 0.118 | | | 8.27 | 1.30 | 3.94 | 9.76 | 7.83 | 1.54 | 1.77 | M8 | 1.97 | |
| 90/20 | 3 x 1/2 | 1246332 | 0.169 | 0.075 | 1248332 | 0.110 | 0.07 | 8.27 | 1.30 | 2.28 | 7.40 | 5.31 | 0.93 | 0.98 | M6 | 1.50 |
| 90/25 | 3 X 3/4 | 1246333 | 0.169 | 0.075 | 1248333 | 0.110 | 0.07 | 8.27 | 1.30 | 2.38 | 7.40 | 5.31 | 0.93 | 0.98 | M6 | 1.50 |
| 90/32 | 3 X 1 | 1246336 | 0.169 | 0.094 | 1248336 | 0.110 | 0.09 | 8.27 | 1.30 | 2.52 | 7.40 | 5.31 | 0.93 | 0.98 | M6 | 1.50 |
| 90/40 | 3 X 1 1/4 | 1246335 | 0.169 | 0.094 | 1248335 | 0.110 | 0.09 | 8.27 | 1.30 | 3.46 | 9.61 | 7.83 | 1.83 | 1.77 | M8 | 1.97 |
| 90/50 | 3 X 1 1/2 | 1246337 | 0.169 | 0.118 | 1248337 | 0.110 | 0.12 | 8.27 | 1.30 | 3.68 | 9.61 | 7.83 | 1.83 | 1.77 | M8 | 1.97 |
| 90/63 | 3 X 2 | 1246338 | 0.169 | 0.118 | 1248338 | 0.110 | 0.12 | 8.27 | 1.30 | 3.94 | 9.61 | 7.83 | 1.83 | 1.77 | M8 | 1.97 |
| 110/20 | 4 x 1/2 | 1246399 | 0.209 | 0.075 | 1248399 | 0.134 | 0.07 | 8.27 | 1.30 | 2.17 | 7.68 | 5.51 | 1.32 | 0.98 | M6 | 1.38 |
| 110/25 | 4 X 3/4 | 1246404 | 0.209 | 0.075 | 1248404 | 0.134 | 0.07 | 8.27 | 1.30 | 2.26 | 7.80 | 5.51 | 1.32 | 0.98 | M6 | 1.50 |
| 110/32 | 4 X 1 | 1246401 | 0.209 | 0.094 | 1248401 | 0.134 | 0.09 | 8.27 | 1.30 | 2.40 | 7.80 | 5.51 | 1.32 | 0.98 | M6 | 1.50 |
| 110/40 | 4 X 1-1/4 | 1246412 | 0.209 | 0.094 | 1248412 | 0.134 | 0.09 | 8.27 | 1.30 | 3.48 | 10.51 | 7.83 | 2.22 | 1.77 | M8 | 1.97 |
| 110/50 | 4 X 1 1/2 | 1246415 | 0.209 | 0.118 | 1248415 | 0.134 | 0.12 | 8.27 | 1.30 | 3.68 | 10.51 | 7.83 | 2.22 | 1.77 | M8 | 1.97 |
| 110/63 | 4 X 2 | 1246420 | 0.209 | 0.118 | 1248420 | 0.134 | 0.12 | 8.27 | 1.30 | 3.94 | 10.51 | 7.83 | 2.22 | 1.77 | M8 | 1.97 |

ANGLE BODY DESIGN

The 65° angle body allows for tighter installation of multiple pipe runs while maintaining easy access to the operating handle.

Ideal for use on skids or prefabricated spools.

CONFORMANCE

PVDF: FDA CFR 21 177.2510
UL 94 V-0
FM 4910 Tested

PTFE Diaphragm: FDA Approved

* Consult factory for actuated part numbers

** Replacement diaphragms available, consult factory

