

T-342 Purad PVDF Diaphragm Valve

Valves are cleanroom produced, assembled and packaged

All valves come standard with integral lock out device to prevent unauthorized cycling

Valves are 150 psi rated at 68°F and designed for high temperature service

Fully serviceable with replacement diaphragms available



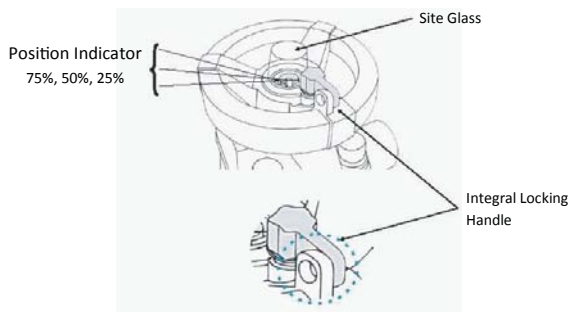
SPECIFICATION

½" through 4" (20mm through 110mm) diaphragm valves shall be Type 342 Style from the Purad System. Valves shall be made of PVDF Solef resin. Valve bodies are to be unibody, molded design with a full 150 psi rating at 68°F. All metal nuts and bolts must be capped or covered to reduce metal exposure. Top Works must include integral lock out device on the handle and position indicator.

Complete line of fabricated valves are available. Consult factory for details.

UNIQUE HANDLE DESIGN

Integral Locking Handle can be locked in multiple positions to prevent unauthorized cycling. Locking Handle is spring loaded for easy locking/unlocking. Position indication for 25%, 50% and 75% open positions.



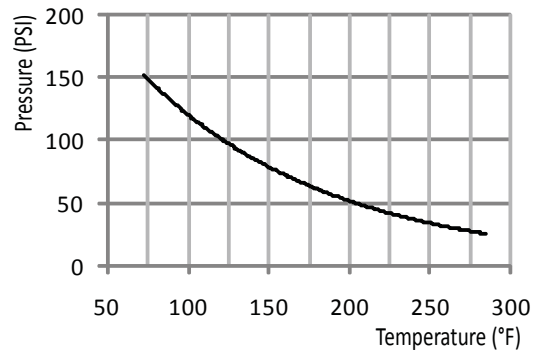
OPTIONS

T-342 Diaphragm Valves can be supplied with a complete line of pneumatic actuation, electric controllers, manual overrides, mechanical limiters & position indicators.

Please consult factory for details.

TECHNICAL SPECIFICATIONS

Body Material: Purad PVDF
 Bonnet: PPG
 Diaphragm: PTFE backed EPDM
 Maximum Pressure: 10 bar @ 20C, 150 psi @ 68 °F

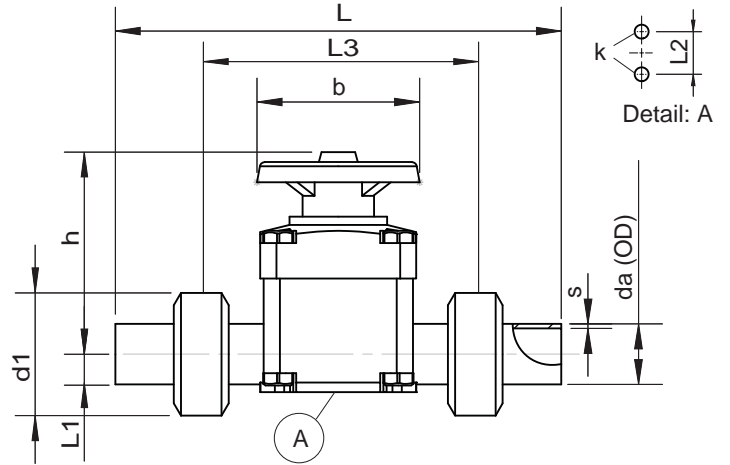


SIZE		Cv at Different Open Position (GPM)			
mm	inch	25%	50%	75%	100%
20	1/2	9.5	15.1	17.8	19.0
25	3/4	12.4	19.6	23.3	24.6
32	1	29.1	46.5	55.5	58.4
40	1-1/4	59.5	94.6	113.1	118.9
50	1-1/2	66.1	105.7	125.5	132.1
63	2	115.7	183.6	219.6	231.2
75	2-1/2	143.5	247.0	286.7	318.4
90	3	196.6	279.0	323.4	359.3
110	4	445.2	739.8	881.1	990.8



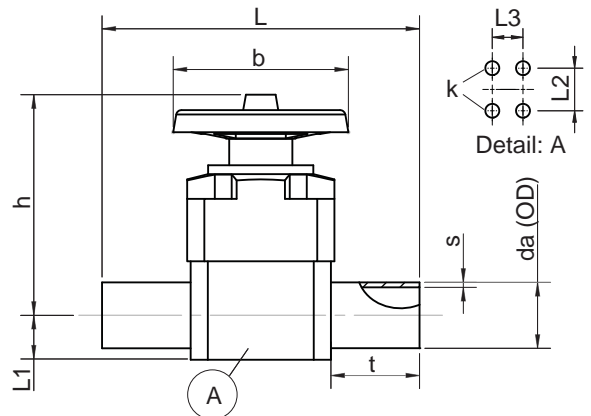
TRUE UNION DIMENSIONS

SIZE	PART #	s	L	L1	L2	L3	h	b	t	k	
20	1/2	1164005	0.075	7.80	0.65	0.96	3.54	3.94	3.35	1.87	M6
25	3/4	1164007	0.075	8.74	0.65	0.96	4.25	3.94	3.35	2.28	M6
32	1	1164010	0.094	9.29	0.79	0.96	4.57	4.21	3.35	2.56	M6
40	1-1/4	1164012	0.094	10.24	1.00	1.73	5.28	5.67	5.31	3.11	M8
50	1-1/2	1164015	0.118	11.26	1.24	1.73	6.06	5.67	5.31	3.54	M8
63	2	1164020	0.118	12.68	1.52	1.73	7.24	6.69	5.31	4.33	M8



SPIGOT DIMENSIONS

SIZE	PART #	s	L	L1	L2	L3	h	b	t	k	
20	1/2	1131005	0.075	5.24	0.65	0.96	0.00	3.94	3.35	1.42	M6
25	3/4	1131007	0.039	5.67	0.65	0.96	0.00	3.94	3.35	1.42	M6
32	1	1131010	0.094	6.06	0.81	0.96	0.00	4.21	3.35	1.42	M6
40	1-1/4	1131012	0.094	7.60	1.00	1.73	0.00	5.67	5.31	1.81	M8
50	1-1/2	1131015	0.118	7.64	1.26	1.73	0.00	5.67	5.31	1.81	M8
63	2	1131020	0.118	8.82	1.52	1.73	0.00	6.69	5.31	2.13	M8
75	2-1/2	1131025	0.142	11.18	0.98	9.06	0.00	10.00	9.21	1.46	M12
90	3	1131030	0.169	11.81	0.98	9.06	0.00	10.00	9.21	1.46	M12
110	4	1131040	0.209	13.39	0.98	11.02	3.35	12.60	9.21	1.97	M12



CONFORMANCE

PVDF: FDA CFR 21 177.2510
 UL 94 V-0
 FM 4910 Tested

PTFE Diaphragm: FDA Approved

