

T-343 Polypropylene Zero Static Diaphragm Valve

Valves are cleanroom produced, assembled and packaged

All valves come standard with integral lock out device to prevent unauthorized cycling

Valves are 150 psi rated at 68°F and designed for high temperature service

Fully serviceable with replacement diaphragms available



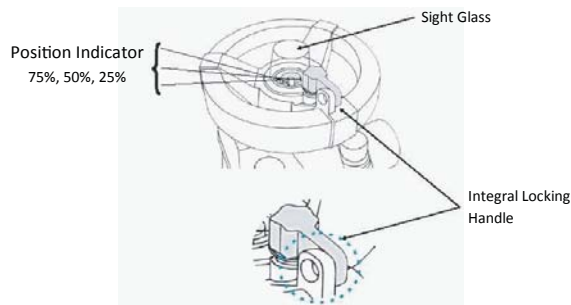
SPECIFICATION

1/2" x 1/2" through 2" x 1" (20mm x 20mm through 63mm x 32mm) reduced dead leg (zero dead leg) valves shall be Type 343 Style from the PolyPure, Natural PP or Proline Pigmented PP Systems. Valves shall be made of virgin, high purity resin. Valve bodies are to be unibody, molded design with a full 150 psi rating at 70°F. All metal nuts and bolts must be capped or covered to reduce metal exposure. Top Works must include integral lock out device on the handle and position indicator.

Complete line of fabricated valves are available. Consult factory for details.

UNIQUE HANDLE DESIGN

Integral Locking Handle can be locked in multiple positions to prevent unauthorized cycling. Locking Handle is spring loaded for easy locking/unlocking. Position indication for 25%, 50% and 75% open positions.



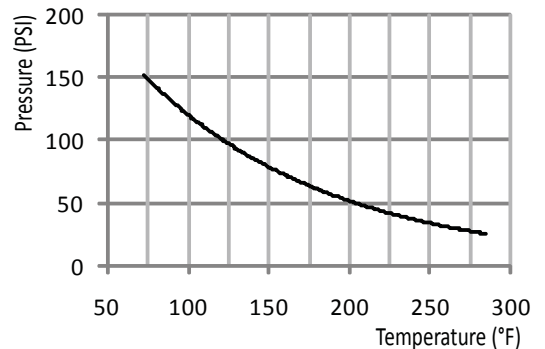
OPTIONS

T-343 Diaphragm Valves can be supplied with a complete line of pneumatic actuation, electric controllers, manual overrides, mechanical limiters & position indicators.

Please consult factory for details.

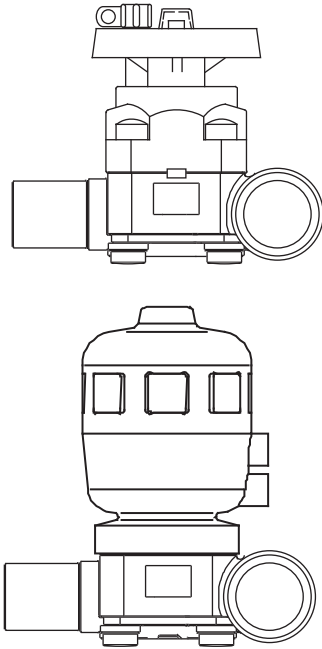
TECHNICAL SPECIFICATIONS

Body Material: PolyPure PPn & Proline PPr
 Bonnet: PPG
 Diaphragm: PTFE backed EPDM or EPDM
 Maximum Pressure: 10 bar @ 20C, 150 psi @ 68 °F



SIZE Cv at Different Open Position (GPM)

mm	inch	25%	50%	75%	100%
20	1/2	9.5	15.1	17.8	19.0
25	3/4	12.4	19.6	23.3	24.6
32	1	29.1	46.5	55.5	58.4
40	1-1/4	59.5	94.6	113.1	118.9
50	1-1/2	66.1	105.7	125.5	132.1
63	2	115.7	183.6	219.6	231.2
75	2-1/2	143.5	247.0	286.7	318.4
90	3	196.6	279.0	323.4	359.3
110	4	445.2	739.8	881.1	990.8



PART NUMBERS

Size	PolyPure, PP		Proline, PPr	
	PTFE	EPDM	PTFE	EPDM
20/20 1/2 x 1/2	6346005	6345005	1405005	1403005
32/20 1 x 1/2	6346130	6345130	1405130	1403130
32/25 1 x 3/4	6346131	6345131	1405131	1403131
32/32 1 x 1	6346010	6345010	1405010	1403010
40/20 1 1/4 x 1/2	6346166	6345166	1405166	1403166
40/25 1 1/4 x 3/4	6346167	6345167	1405167	1403167
40/32 1 1/4 x 1	6346168	6345168	1405168	1403168
50/20 1 1/2 x 1/2	6346208	6345208	1405208	1403208
50/32 1 1/2 x 1	6346211	6345211	1405211	1403211
63/32 2 x 1	6346249	6345249	1405249	1403249

* Consult factory for actuated part numbers

** Replacement diaphragms available, consult factory

CONFORMANCE

- Polypropylene: FDA CFR 21 177.1520
USP Class VI
UL 94 HB
- EPDM Diaphragm: FDA Approved
- PTFE Diaphragm: FDA Approved
USP Class VI

DIMENSIONS

SIZE	s1	s2	L	L1	L2	L3	L4	h	k	e	d
20/20 1/2 x 1/2	0.075	0.075	6.46	1.42	1.42	4.41	4.21	0.64	0.96	M6	3.35
32/20 1 x 1/2	0.114	0.075	6.46	1.42	1.42	4.80	4.21	0.75	0.96	M6	3.35
32/25 1 x 3/4	0.114	0.906	6.46	1.42	1.42	4.80	4.21	0.75	0.96	M6	3.35
32/32 1 x 1	0.114	0.114	6.46	1.42	1.42	4.80	4.13	0.75	0.96	M6	3.35
40/20 1 1/4 x 1/2	0.146	0.075	7.24	1.81	1.42	5.00	4.21	0.79	0.96	M6	3.35
40/25 1 1/4 x 3/4	0.146	0.906	7.24	1.81	1.42	5.00	4.21	0.79	0.96	M6	3.35
40/32 1 1/4 x 1	0.146	0.114	7.24	1.81	1.42	5.00	4.21	0.79	0.96	M6	3.35
50/20 1 1/2 x 1/2	0.181	0.075	7.24	1.81	1.42	5.18	4.59	0.87	0.96	M6	3.35
50/32 1 1/2 x 1	0.181	0.114	7.24	1.81	1.42	5.18	4.59	0.87	0.96	M6	3.35
63/32 2 x 1	0.228	0.114	7.24	1.81	1.42	5.43	4.59	0.87	0.96	M6	3.35

