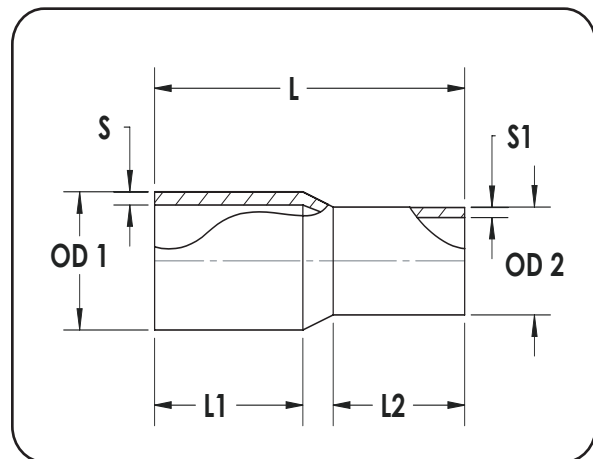
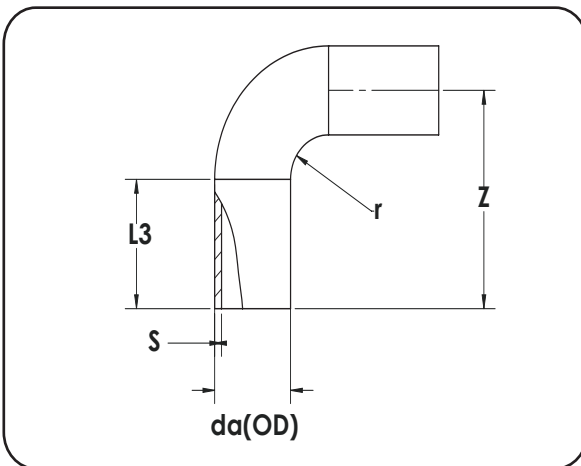
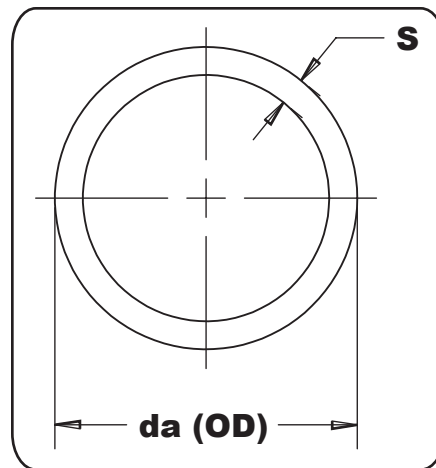


Dimensional Guide

PP-Pure™

Pigmented Polypropylene



35 Green Street, PO Box 653, Malden, MA 02148

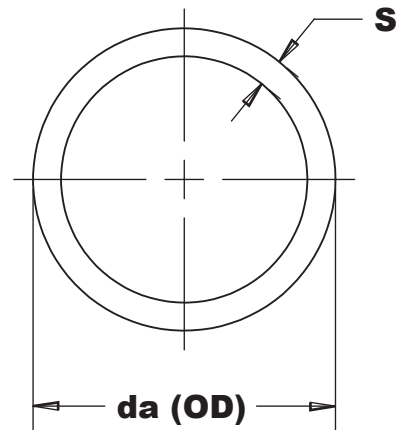
Tel: (781) 321-5409 - Toll Free: (800) 343-3618 - Fax: (781) 397-8831 - (800) 787-6861

www.asahi-america.com - asahi@asahi-america.com

Direct Sales: East (800) 232-7244 / Central (800) 442-7244 / West (800) 282-7244

PP-Pure™ Dimensional Guide

Pipe



Pipe 5 meter-16.4' length

**PP-Pure
Pigmented Polypropylene**

OD		PN 10 / SDR 11			
mm	inch	s	Weight (lbs/m)	Asahi Part #	Agru Code
20	1/2	0.075	0.300	9101005	72.705.0020.11
25	3/4	0.091	0.410	9101007	72.705.0025.11
32	1	0.114	0.570	9101010	72.705.0032.11
40	1 1/4	0.146	0.910	9101012	72.705.0040.11
50	1 1/2	0.181	1.410	9101015	72.705.0050.11
63	2	0.228	2.230	9101020	72.705.0063.11
75	2 1/2	0.268	3.087	9101025	72.705.0075.11
90	3	0.323	6.460	9101030	72.705.0090.11
110	4	0.394	6.637	9101040	72.705.0110.11
125	4 1/2	0.449	8.622	9101045	72.705.0125.11
140	5	0.500	10.738	9101050	72.705.0140.11
160	6	0.575	14.090	9101060	72.705.0160.11
180	7	0.646	17.794	9101070	72.705.0180.11
200	8	0.717	21.940	9101080	72.705.0200.11
225	9	0.807	27.761	9101090	72.705.0225.11
250	10	0.894	34.133	9101100	72.705.0250.11
280	11	1.000	42.777	9101110	72.705.0280.11
315	12	1.126	54.133	9101120	72.705.0315.11

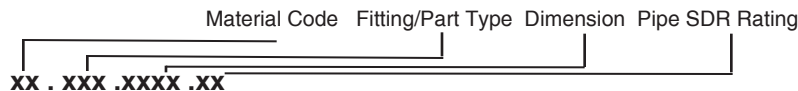
Pipe & Fitting OD size is metric, inch OD provided as nominal size only

PN10 equals 150 psi pressure rating

Components listed in this section contain both Agru Code identifications and Asahi/America part numbers. Either can be used to identify the requested component. When using the Agru Code, be sure to preface the numbers with the Material Identification Code.

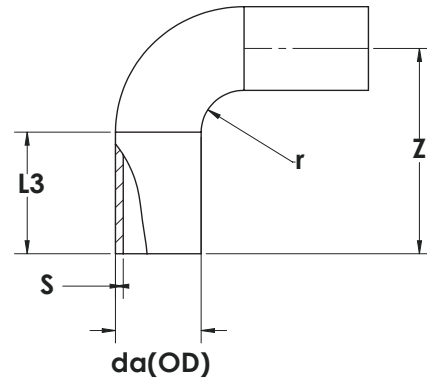
PP-Pure Material Code = 72

Code identification



Example:

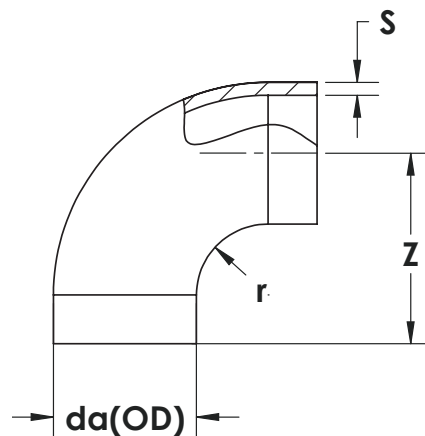
- PP-Pure Pipe, OD 63mm, SDR11 Code **72.705.0063.11**



Extended Leg 90° Elbow

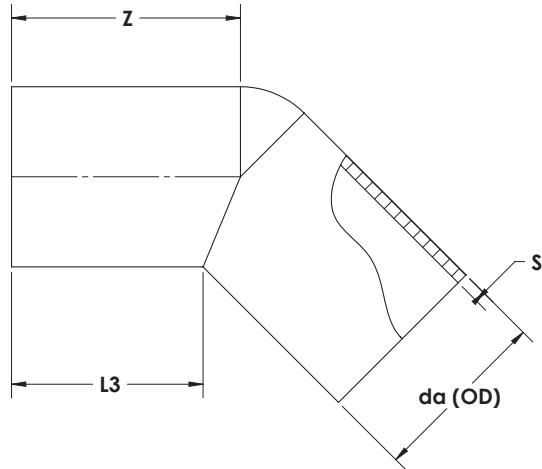
OD		Dimensions				PN 10 / SDR 11		
mm	inch	s	z	r	L3	Weight (lbs)	Asahi Part #	Agru Code
20	1/2	0.075	2.323	0.787	1.457	0.044	9102005	72.068.0020.11
25	3/4	0.091	2.618	0.984	1.535	0.066	9102007	72.068.0025.11
32	1	0.114	3.091	1.260	1.732	0.110	9102010	72.068.0032.11
40	1 1/4	0.146	3.602	1.575	1.929	0.198	9102012	72.068.0040.11
50	1 1/2	0.181	4.213	1.969	2.205	0.309	9102015	72.068.0050.11
63	2	0.228	5.000	2.480	2.520	0.595	9102020	72.068.0063.11
75	2 1/2	0.268	5.827	2.953	2.835	0.948	9102025	72.068.0075.11
90	3	0.323	6.535	3.543	2.953	1.566	9102030	72.068.0090.11
110	4	0.394	7.421	4.331	2.953	2.536	9102040	72.068.0110.11
125	4 1/2	0.449	8.405	4.921	3.346	3.726	9102045	72.068.0125.11
140	5	0.500	9.232	5.512	3.543	5.160	9102050	72.068.0140.11
160	6	0.575	10.020	6.299	3.543	7.210	9102060	72.068.0160.11
180	7	0.646	11.201	7.087	3.937	9.967	9102070	72.068.0180.11
200	8	0.717	12.303	7.874	4.252	13.340	9102080	72.068.0200.11
225	9	0.807	13.563	8.858	4.528	18.302	9102090	72.068.0225.11

PP-Pure
Pigmented Polypropylene



90° Elbow

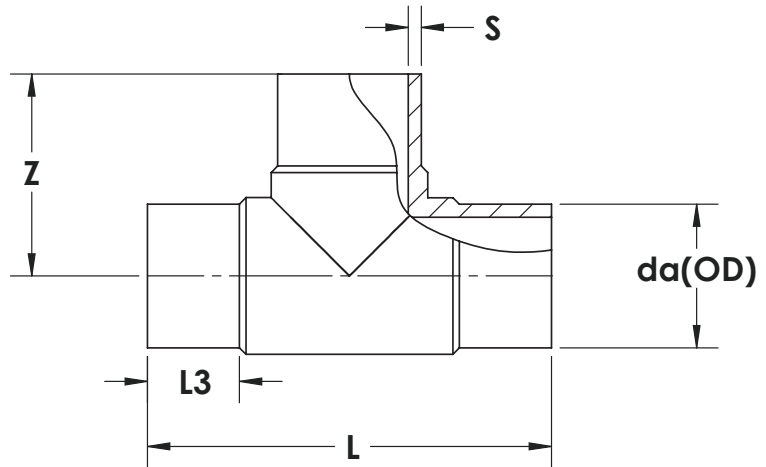
OD		Dimensions				PN 10 / SDR 11		
mm	inch	s	z	r	L3	Weight (lbs)	Asahi Part #	Agru Code
250	10	0.717	12.303	7.874	4.252	13.340	9104100	72.001.0250.11
315	12	0.807	13.563	8.858	4.528	18.302	9104120	72.001.0315.11



45° Elbow

PP-Pure
Pigmented Polypropylene

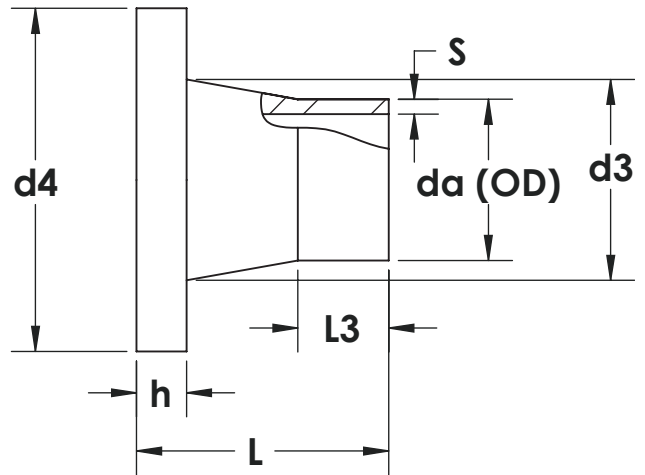
OD		Dimensions			PN 10 / SDR 11		
mm	inch	s	z	L3	Weight (lbs)	Asahi Part #	Agru Code
20	1/2	0.075	1.732	1.535	0.022	9114005	72.060.0020.11
25	3/4	0.091	1.890	1.654	0.044	9114007	72.060.0025.11
32	1	0.114	2.244	1.929	0.088	9114010	72.060.0032.11
40	1 1/4	0.146	2.480	2.087	0.132	9114012	72.060.0040.11
50	1 1/2	0.181	2.756	2.244	0.221	9114015	72.060.0050.11
63	2	0.228	3.150	2.520	0.419	9114020	72.060.0063.11
75	2 1/2	0.268	3.543	2.756	0.595	9114025	72.060.0075.11
90	3	0.323	4.094	3.228	0.970	9114030	72.060.0090.11
110	4	0.394	4.252	3.228	1.544	9114040	72.060.0110.11
125	4 1/2	0.449	5.217	3.917	2.249	9114045	72.060.0125.11
140	5	0.500	5.354	3.937	3.109	9114050	72.060.0140.11
160	6	0.575	6.161	4.587	4.608	9114060	72.060.0160.11
180	7	0.646	6.949	5.177	6.174	9114070	72.060.0180.11
200	8	0.717	6.713	4.744	7.718	9114080	72.060.0200.11
225	9	0.807	7.185	4.941	10.562	9114090	72.060.0225.11
250	10	0.894	8.543	6.299	14.509	9114100	72.060.0250.11
280	11	1.000	9.370	6.614	19.448	9114110	72.060.0280.11
315	12	1.126	10.079	6.968	27.122	9114120	72.060.0315.11



Tees

OD		Dimensions				PN / SDR 11		
mm	inch	s	z	L	L3	Weight (lbs)	Asahi Part #	Agro Code
20	1/2	0.075	1.339	2.677	0.689	0.044	9118005	72.006.0020.11
25	3/4	0.091	1.575	3.150	0.807	0.066	9118007	72.006.0025.11
32	1	0.114	1.772	3.543	0.807	0.088	9118010	72.006.0032.11
40	1 1/4	0.146	1.969	3.937	0.807	0.154	9118012	72.006.0040.11
50	1 1/2	0.181	2.362	4.724	0.906	0.287	9118015	72.006.0050.11
63	2	0.228	2.835	5.669	0.984	0.529	9118020	72.006.0063.11
75	2 1/2	0.268	2.953	5.984	0.591	0.882	9118025	72.006.0075.11
90	3	0.323	4.134	8.386	1.496	1.632	9118030	72.006.0090.11
110	4	0.394	4.803	9.961	2.008	2.734	9118040	72.006.0110.11
125	4 1/2	0.449	5.512	11.024	2.047	3.749	9118045	72.006.0125.11
140	5	0.500	5.984	12.008	2.087	5.402	9118050	72.006.0140.11
160	6	0.575	6.811	13.622	2.244	6.902	9118060	72.006.0160.11
180	7	0.646	7.323	14.646	2.244	8.445	9118070	72.006.0180.11
200	8	0.717	7.972	15.748	2.244	11.841	9118080	72.006.0200.11
225	9	0.807	8.760	17.520	2.244	18.544	9118090	72.006.0225.11
250	10	0.894	9.252	18.504	2.835	23.263	9118100	72.006.0250.11
280	11	1.000	10.630	21.260	3.150	27.496	9118110	72.006.0280.11
315	12	1.126	10.827	21.654	3.150	42.468	9118120	72.006.0315.11

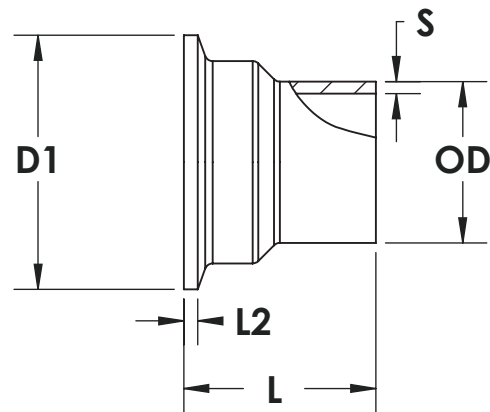
PP-Pure
Pigmented Polypropylene



Stub End - ANSI

PP-Pure
Pigmented Polypropylene

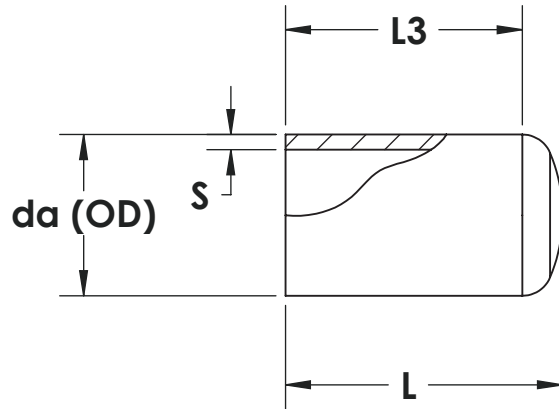
OD		Dimensions							PN 10 / SDR 11		
mm	inch	da	s	L	L3	d3	d4	h	Weight (lbs)	Asahi Part #	Agro Code
20	1/2	0.787	0.075	2.047	1.181	1.063	1.752	0.276	0.044	9130005	72.012.020.11
25	3/4	0.984	0.091	1.969	0.984	1.299	2.130	0.354	0.066	9130007	72.012.025.11
32	1	1.260	0.114	1.969	0.984	1.575	2.500	0.394	0.110	9130010	72.012.032.11
40	1 1/4	1.575	0.146	1.969	0.787	1.969	2.815	0.433	0.132	9130012	72.012.040.11
50	1 1/2	1.969	0.181	1.969	0.787	2.402	3.250	0.472	0.176	9130015	72.012.050.11
63	2	2.480	0.228	1.969	0.709	2.953	3.953	0.551	0.287	9130020	72.012.063.11
75	2 1/2	2.953	0.268	1.969	0.709	3.504	4.606	0.630	0.419	9130025	72.012.075.11
90	3	3.543	0.323	3.150	1.575	4.134	5.213	0.669	0.684	9130030	72.012.090.11
110	4	4.331	0.394	3.150	1.496	4.921	6.220	0.709	0.992	9130040	72.012.110.11
125	4 1/2	4.921	0.449	3.150	1.496	5.197	6.220	0.984	1.125	9130045	72.012.125.11
160	6	6.299	0.575	3.622	1.496	6.890	8.346	0.984	2.249	9130060	72.012.160.11
200	8	7.874	0.717	4.331	1.575	9.134	10.551	1.260	4.322	9130080	72.012.200.11
225	9	8.858	0.807	4.449	2.047	9.252	10.551	1.260	3.969	9130090	72.012.225.11
250	10	9.843	0.894	5.197	2.283	11.220	12.598	1.378	7.453	9130100	72.012.250.11
315	12	12.402	1.126	5.354	2.559	13.189	14.567	1.378	7.806	9130120	72.012.315.11



Sanitary Adapter - Machined

OD		Dimensions				PN 10 / SDR 11		
mm	inch	L2	L	D1	s	Weight (lbs)	Asahi Part #	Agro Code
20	1/2	0.142	1.500	0.984	0.098	0.066	9145005	-
25	3/4	0.110	1.500	1.984	0.106	0.066	9145007	-
32	1	0.110	1.500	1.984	0.114	0.066	9145010	-
40	1 1/4	0.110	1.500	1.984	0.146	0.088	9145012	-
50	1 1/2	0.110	1.500	2.490	0.181	0.088	9145015	-
63	2	0.110	1.500	2.990	0.228	0.088	9145030	-

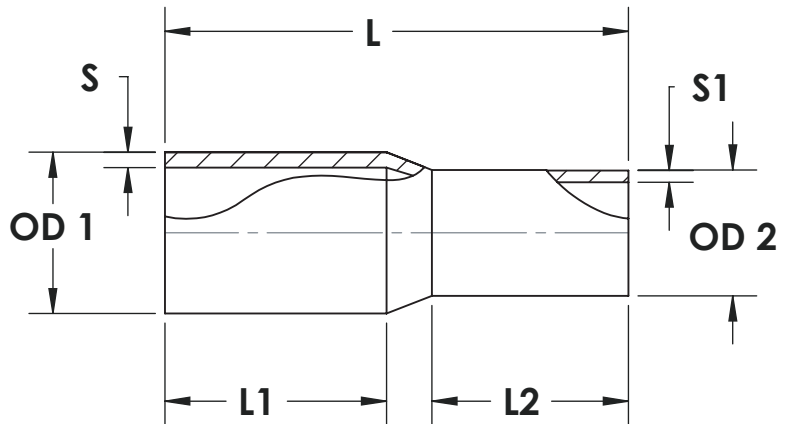
PP-Pure
Pigmented Polypropylene



PP-Pure
Pigmented Polypropylene

End Cap

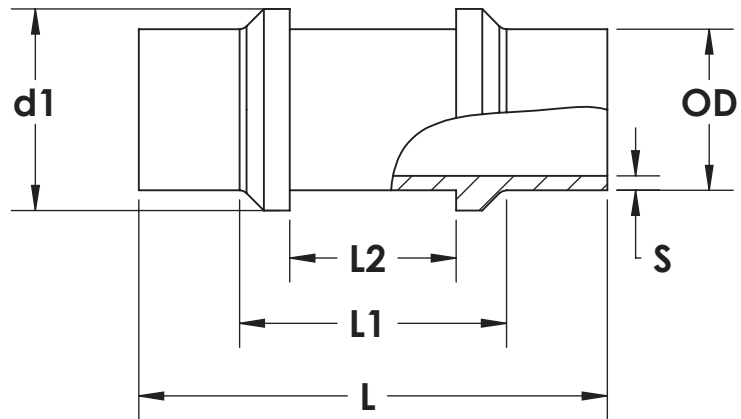
OD		Dimensions				PN 10 / SDR 11		
mm	inch	da	s	L	L3	Weight (lbs)	Asahi Part #	Agru Code
20	1/2	0.787	0.075	1.850	1.614	0.022	9143005	72.064.0020.11
25	3/4	0.984	0.091	1.929	1.614	0.022	9143007	72.064.0025.11
32	1	1.260	0.114	2.165	1.850	0.044	9143010	72.064.0032.11
40	1 1/4	1.575	0.146	2.520	2.008	0.066	9143012	72.064.0040.11
50	1 1/2	1.969	0.181	2.874	2.362	0.110	9143015	72.064.0050.11
63	2	2.480	0.228	3.307	2.677	0.221	9143020	72.064.0063.11
75	2 1/2	2.953	0.268	3.661	2.953	0.353	9143025	72.064.0075.11
90	3	3.543	0.323	4.213	3.307	0.551	9143030	72.064.0090.11
110	4	4.331	0.394	5.276	3.819	0.926	9143040	72.064.0110.11
125	4 1/2	4.921	0.449	5.433	4.016	1.345	9143045	72.064.0125.11
140	5	5.512	0.500	5.669	4.173	1.786	9143050	72.064.0140.11
160	6	6.299	0.575	6.575	4.665	2.293	9143060	72.064.0160.11
180	7	7.087	0.646	7.520	5.551	3.660	9143070	72.064.0180.11
200	8	7.874	0.717	7.126	5.000	4.542	9143080	72.064.0200.11
225	9	8.858	0.807	8.307	5.551	6.350	9143090	72.064.0225.11
250	10	9.843	0.894	9.055	5.984	8.511	9143100	72.064.0250.11
280	11	11.024	1.000	10.118	6.378	11.554	9143110	72.064.0280.11
315	12	12.402	1.126	10.315	7.087	15.435	9143120	72.064.0315.11



Concentric Reducer

OD		Dimensions					PN 10 / SDR 11		
mm	inch	s	L	L1	L2	s1	Weight (lbs)	Asahi Part #	Agru Code
25/20	3/4 x 1/2	0.091	3.425	1.575	1.614	0.075	0.044	9137101	72.067.2520.11
32/20	1 x 1/2	0.118	3.622	1.693	1.535	0.075	0.066	9137130	72.067.3220.11
32/25	1 x 3/4	0.118	3.622	1.732	1.535	0.091	0.066	9137131	72.067.3225.11
40/20	1 1/4 x 1/2	0.146	4.016	1.890	1.535	0.075	0.088	9137166	72.067.4020.11
40/25	1 1/4 x 3/4	0.146	4.016	1.890	1.535	0.091	0.088	9137167	72.067.4025.11
40/32	1 1/4 x 1	0.146	4.016	1.890	1.772	0.118	0.088	9137168	72.067.4032.11
50/25	1 1/2 x 3/4	0.181	4.646	2.165	1.732	0.091	0.132	9137210	72.067.5025.11
50/32	1 1/2 x 1	0.181	4.646	2.323	1.811	0.118	0.154	9137211	72.067.5032.11
50/40	1 1/2 x 1 1/4	0.181	4.961	2.244	1.929	0.146	0.176	9137212	72.067.5040.11
63/32	2 x 1	0.228	5.354	2.520	1.929	0.118	0.243	9137249	72.067.6332.11
63/40	2 x 1 1/4	0.228	5.039	2.323	1.969	0.146	0.265	9137251	72.067.6340.11
63/50	2 x 1	0.228	5.906	2.598	2.323	0.181	0.309	9137249	72.067.6350.11
75/50	2 x 1 1/4	0.268	5.827	2.520	2.283	0.181	0.375	9137250	72.067.7550.11
75/63	2 x 1 1/2	0.268	5.866	2.559	2.323	0.228	0.441	9137251	72.067.7563.11
90/63	3 x 2	0.323	6.181	2.835	2.362	0.228	0.573	9137338	72.067.9063.11
90/75	3 x 2 1/2	0.323	6.417	2.953	2.362	0.268	0.639	9137339	72.067.9075.11
110/63	4 x 2	0.394	7.087	3.268	2.480	0.228	0.948	9137420	72.067.1163.11
110/90	4 x 3	0.394	6.968	3.228	2.874	0.323	1.103	9137422	72.067.1190.11
160/90	6 x 3	0.575	8.543	4.016	2.913	0.323	2.293	9137531	72.067.1690.11
160/110	6 x 4	0.575	8.740	3.858	3.465	0.394	2.580	9137532	72.067.1611.11
200/160	8 x 6	0.717	9.921	4.409	4.016	0.575	4.983	9137585	72.067.2016.11
225/160	9 x 6	0.807	10.630	5.039	3.976	0.575	6.372	9137606	72.067.2216.11
250/160	10 x 6	0.894	12.362	6.102	4.449	0.575	8.996	9137627	72.067.2516.11
250/200	10 x 8	0.894	12.362	6.102	4.921	0.717	9.702	9137628	72.067.2521.11
250/225	10 x 9	0.894	12.402	6.024	5.236	0.807	9.702	9137629	72.067.2522.11
315/200	12 x 8	1.126	14.764	7.047	5.236	0.717	16.251	9137660	72.067.3120.11
315/225	12 x 9	1.126	14.764	6.614	5.315	0.807	16.493	9137670	72.067.3122.11
315/250	12 x 10	1.126	14.764	6.693	6.102	0.894	18.059	9137673	72.067.3125.11

PP-Pure
Pigmented Polypropylene

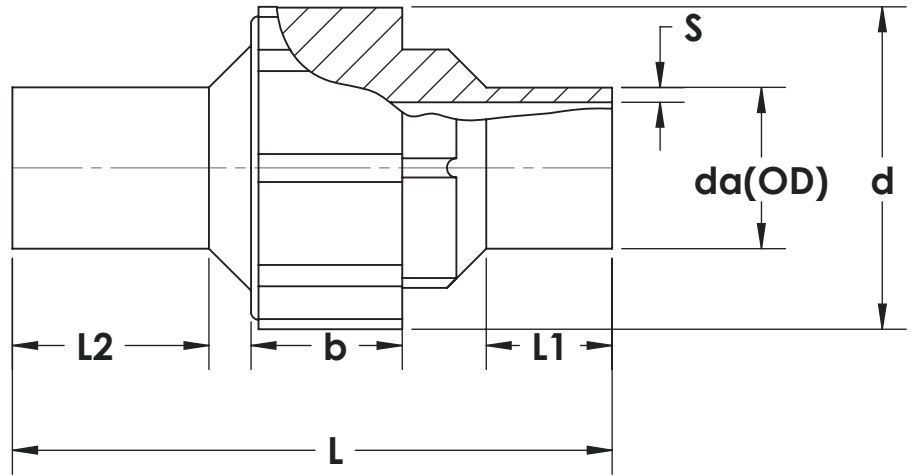


Restraint Fitting - Machined

PP-Pure
Pigmented Polypropylene

OD		Dimensions						PN 10 / SDR 11		
mm	inch	da	s	L	L1	L2	d1	Weight (lbs)	Asahi Part #	Agro Code
20	1/2	0.787	0.0748	3.661	2.086	1.299	1.102	0.066		72.301.0020.11
25	3/4	0.984	0.0905	3.661	2.086	1.299	1.299	0.066		72.301.0025.11
32	1	1.260	0.1141	3.661	2.086	1.299	1.574	0.066		72.301.0032.11
40	1 1/4	1.575	0.1456	3.661	2.086	1.299	1.889	0.066		72.301.0040.11
50	1 1/2	1.969	0.1811	4.448	2.086	1.299	2.283	0.066		72.301.0050.11
63	2	2.480	0.2283	4.330	1.968	1.220	2.795	0.066		72.301.0063.11
75	2 1/2	2.953	0.2677	5.118	2.755	1.574	3.425	0.066		72.301.0075.11
90	3	3.543	0.3228	5.118	2.755	1.574	4.133	0.066		72.301.0090.11
110	4	4.331	0.3937	5.118	2.755	1.574	4.999	0.066		72.301.0110.11
125	4 1/2	4.921	0.4488	6.299	3.937	2.362	5.629	0.066		72.301.0125.11
140	5	5.512	0.4999	6.299	3.937	2.362	6.299	0.066		72.301.0140.11
160	6	6.299	0.5748	6.299	3.937	2.362	7.086	0.066		72.301.0160.11
180	7	7.087	0.6456	7.874	4.330	2.362	8.070	0.066		72.301.0180.11
200	8	7.874	0.7165	7.874	4.330	2.362	8.858	0.066		72.301.0200.11
225	9	8.858	0.8070	7.874	4.330	2.362	9.842	0.066		72.301.0225.11

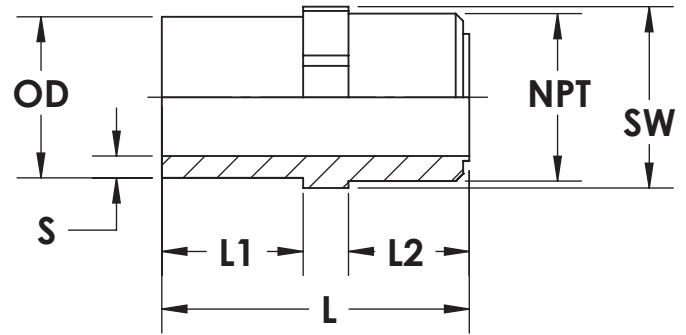
PP-Pure™ Dimensional Guide



Union - Type 24 FKM

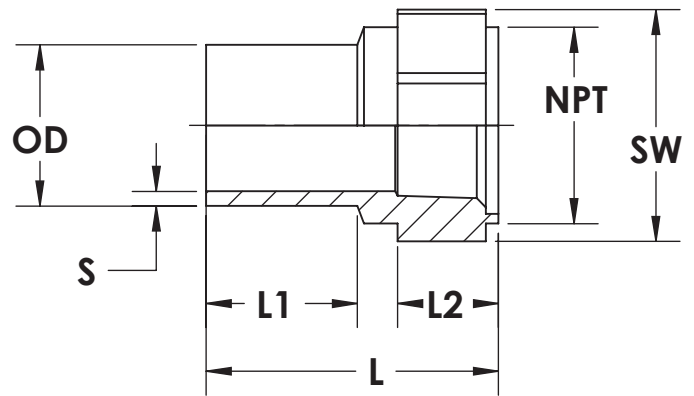
OD		Dimensions						PN 10 / SDR 11		
mm	inch	s	L	L1	L2	d	b	Weight (lbs)	Asahi Part #	Agro Code
20	1/2	0.0748	4.212	0.944	0.944	1.850	0.944	0.110	9134005	72.024.0120.11
25	3/4	0.0905	4.409	0.944	0.944	2.244	1.023	0.176	9134007	72.024.0125.11
32	1	0.1141	4.685	0.984	0.984	2.519	1.181	0.242	9134010	72.024.0132.11
40	1 1/4	0.1456	4.921	0.984	0.984	3.070	1.220	0.396	9134012	72.024.0140.11
50	1 1/2	0.1811	5.118	0.984	0.984	3.503	1.377	0.551	9134015	72.024.0150.11
63	2	0.2283	5.354	0.984	0.984	4.291	1.535	0.882	9134020	72.024.0163.11

PP-Pure
Pigmented Polypropylene



Male Adapter

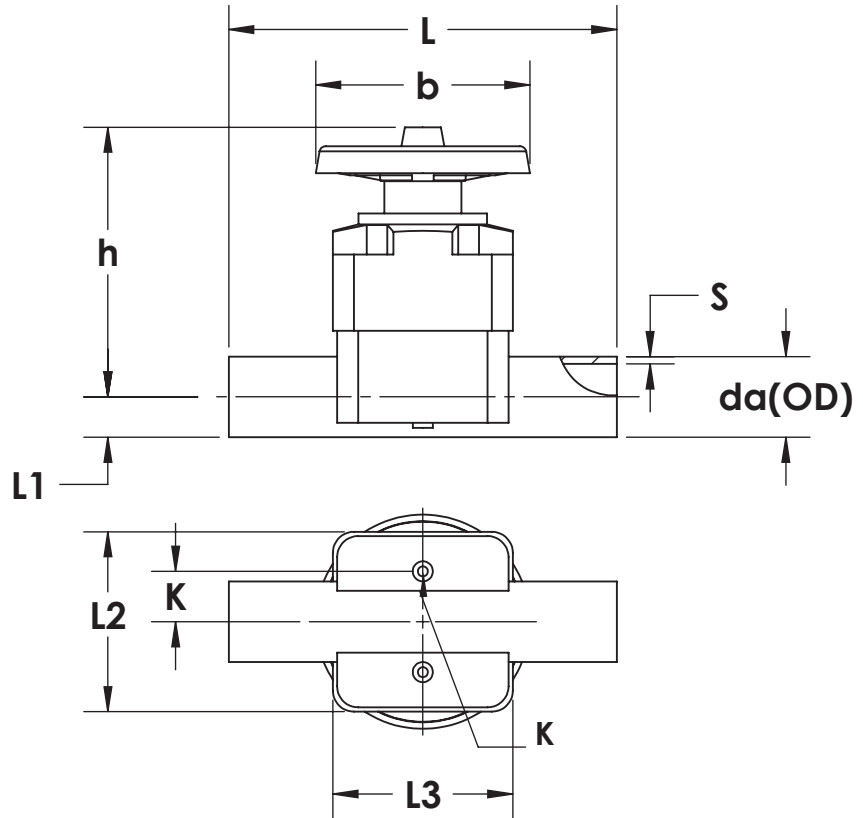
OD		Dimensions						PN 10 / SDR 11		
mm	inch	s	L	L1	L2	SW	NPT	Weight (lbs)	Asahi Part #	Agru Code
20	1/2	0.098	1.811	0.748	0.709	0.866	0.500	0.022	9147005	72.033.2021.11
25	3/4	0.106	2.008	0.866	0.787	1.063	0.750	0.022	9147007	72.033.2526.11
32	1	0.114	2.402	1.102	0.945	1.417	1.000	0.066	9147010	72.033.3233.11
40	1 1/4	0.146	2.598	1.142	1.024	1.811	1.250	0.132	9147012	72.033.4041.11
50	1 1/2	0.181	2.913	1.260	1.102	2.165	1.500	0.132	9147015	72.033.5051.11
63	2	0.228	3.150	1.378	1.220	2.559	2.000	0.132	9147020	72.033.6364.11



Female Adapter

OD		Dimensions						PN 10 / SDR 11		
mm	inch	s	L	L1	L2	SW	NPT	Weight (lbs)	Asahi Part #	Agru Code
20	1/2	0.098	1.772	0.827	0.630	1.260	0.500	0.022	9149005	72.032.2021.11
25	3/4	0.106	1.969	0.984	0.669	1.614	0.750	0.066	9149007	72.032.2526.11
32	1	0.114	2.283	1.181	0.787	1.811	1.000	0.088	9149010	72.032.3233.11
40	1 1/4	0.146	2.441	1.181	0.945	2.165	1.250	0.132	9149012	72.032.4041.11
50	1 1/2	0.181	2.677	1.339	0.945	2.756	1.500	0.221	9149015	72.032.5051.11
63	2	0.228	2.953	1.417	1.102	3.346	2.000	0.353	9149020	72.032.6364.11

PP-Pure Pigmented Polypropylene

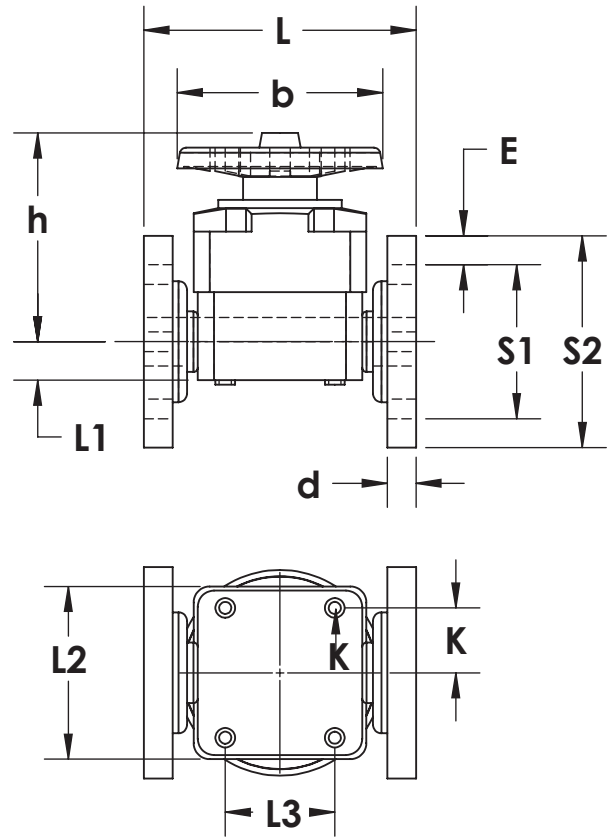


PP-Pure
 Pigmented Polypropylene

T342 Diaphragm Valve
-Manually Controlled
-EPDM/PTFE Diaphragm

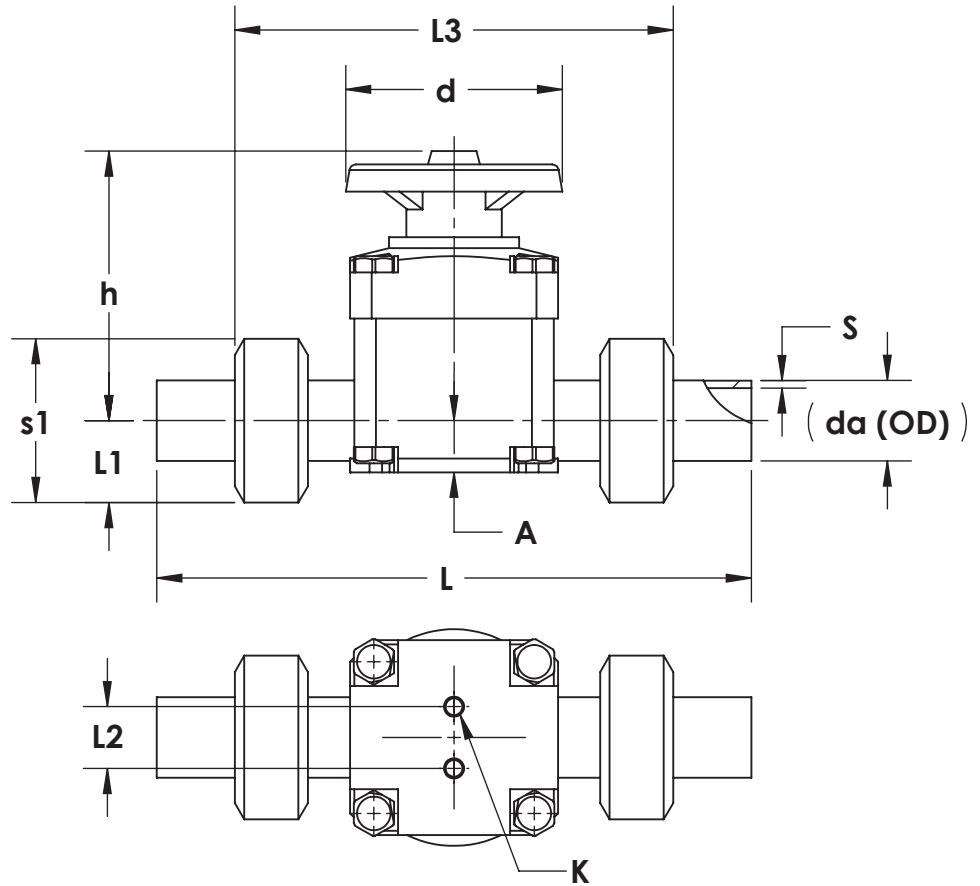
OD		Dimensions										PN 10 / SDR 11		
mm	inch	s	L	L1	L2	L3	h	b	t	DN	K	Weight (lbs)	Asahi Part #	Agro Code
20	1/2	0.098	5.236	0.650	0.965	0.000	3.937	3.346	1.417	0.591	M6	1.012	1403005	72.342.1520.11
25	3/4	0.106	5.669	0.650	0.965	0.000	3.937	3.346	1.417	0.787	M6	1.012	1403007	72.342.1525.11
32	1	0.114	6.063	0.807	0.965	0.000	4.213	3.346	1.417	0.984	M6	1.43	1403010	72.342.1532.11
40	1 1/4	0.146	7.598	1.004	1.732	0.000	5.669	5.315	1.811	1.260	M8	3.52	1403012	72.342.1540.11
50	1 1/2	0.181	7.638	1.260	1.732	0.000	5.669	5.315	1.811	1.575	M8	3.3	1403015	72.342.1550.11
63	2	0.228	8.819	1.516	1.732	0.000	6.693	5.315	1.811	1.969	M8	4.972	1403020	72.342.1563.11
75	2 1/2	0.268	11.181	0.984	9.055	0.000	10.000	9.213	1.220	2.559	M12	12.65	1403025	72.342.1575.11
90	3	0.323	11.811	0.984	9.055	0.000	10.000	9.213	1.417	3.150	M12	11.66	1403030	72.342.1590.11
110	4	0.394	13.386	0.984	11.024	3.346	12.598	9.213	1.969	3.937	M12	22.22	1403040	72.342.1511.11

PP-Pure
Pigmented Polypropylene



T342 Diaphragm Valve
-Flanged Connection
-Manually Controlled
-EPDM/PTFE Diaphragm

OD		Dimensions											PN 10 / SDR 11				
mm	inch	L	L1	L2	L3	s1	s2	d	h	b	DN	K	E	Weight (lbs)	Asahi Part #	Agru Code	
20	1/2	8.661	0.669	0.957	0.000	2.559	3.740	0.472	3.937	3.346	0.591	M6	M12	2.156	9181005	72.242.1520.11	
25	3/4	9.449	0.669	0.957	0.000	2.953	4.252	0.472	3.937	3.346	0.787	M6	M12	1.386	9181007	72.242.1525.11	
32	1	9.843	0.827	0.957	0.000	3.336	4.528	0.630	4.213	3.346	0.984	M6	M12	3.52	9181010	72.342.1532.11	
40	1 1/4	7.087	1.004	1.732	0.000	3.500	5.512	0.748	5.433	5.354	1.260	M8	M16	3.938	9181012	72.342.1740.11	
50	1 1/2	7.874	1.260	1.732	0.000	3.874	5.906	0.906	5.669	5.354	1.575	M8	M16	4.070	9181015	72.342.1750.11	
63	2	9.055	1.516	1.732	0.000	4.724	6.496	0.984	6.693	5.354	1.969	M8	M16	5.038	9181020	72.342.1763.11	
90	3	12.205	0.984	9.055	0.000	5.906	7.874	1.417	10.000	9.213	3.150	M12	M16	13.948	9181030	72.342.1790.11	
110	4	13.780	0.984	11.024	3.346	6.890	9.055	1.378	12.598	9.213	3.937	M12	M16	25.696	91810040	72.342.1711.11	

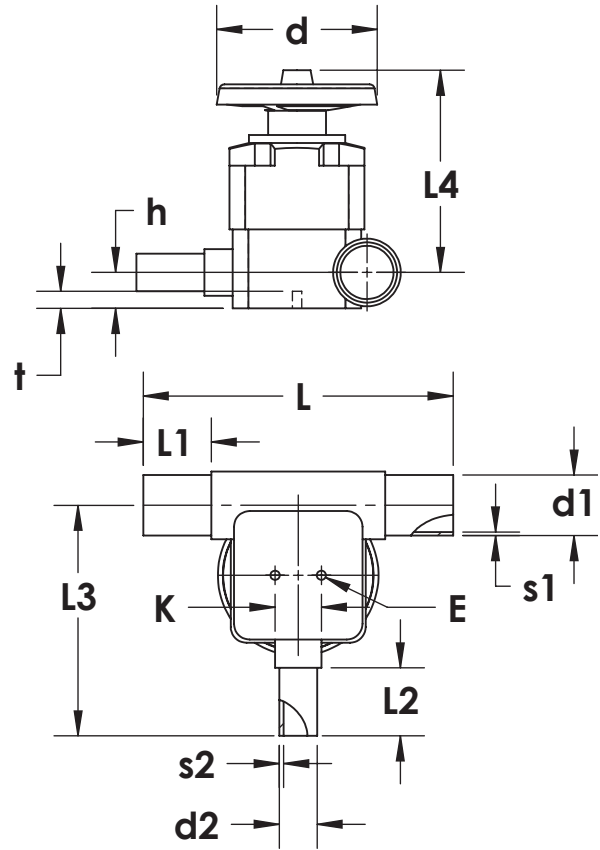


PP-Pure
Pigmented Polypropylene

T342 Diaphragm Valve
-True Union Connection
-Manually Controlled
-EPDM/PTFE Diaphragm

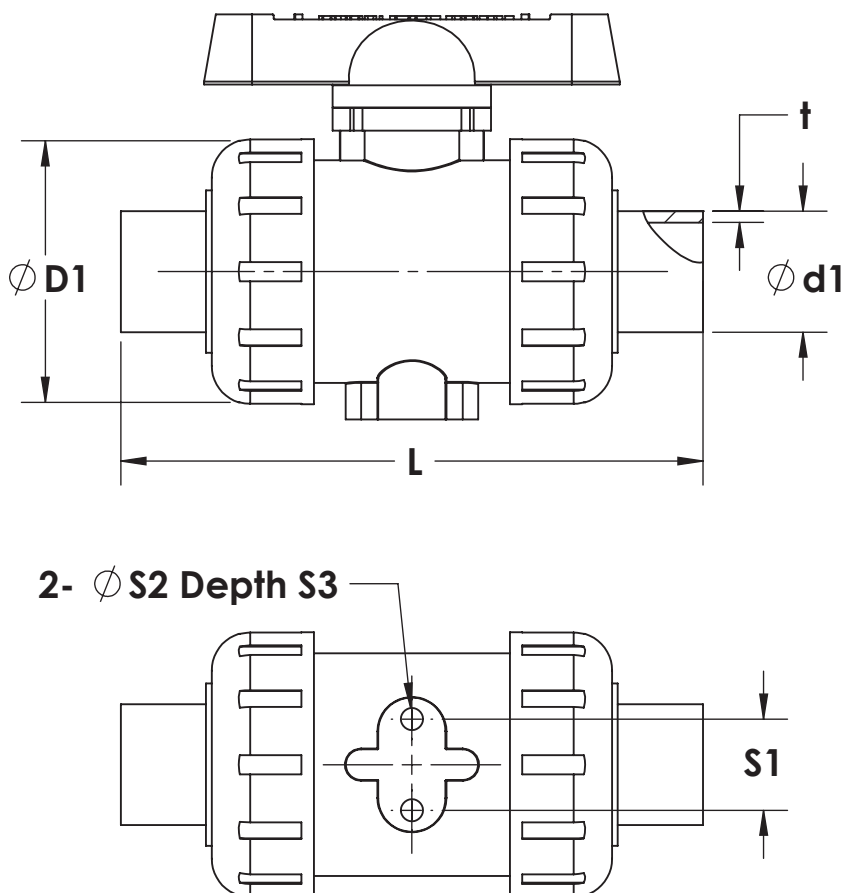
OD												PN 10 / SDR 11		
mm	inch	s	L	L1	L2	L3	d	d1	h	DN	K	Weight (lbs)	Asahi Part #	Agru Code
20	1/2	0.098	7.795	0.650	0.965	3.543	3.386	1.870	3.937	0.591	M6	1.188	9164005	72.340.0020.11
25	3/4	0.106	8.740	0.650	0.965	4.252	3.386	2.283	3.937	0.787	M6	1.276	9164007	72.340.0025.11
32	1	0.114	9.291	0.807	0.965	4.567	3.386	2.559	4.213	0.984	M6	1.804	9164010	72.340.0032.11
40	1 1/4	0.146	10.236	1.004	1.732	5.276	5.354	3.110	5.669	1.260	M8	3.652	9164012	72.340.0040.11
50	1 1/2	0.181	11.260	1.260	1.732	6.063	5.354	3.543	5.669	1.575	M8	4.070	9164015	72.340.0050.11
63	2	0.228	12.677	1.516	1.732	7.244	5.354	4.331	6.693	1.969	M8	4.994	9164020	72.340.0063.11

PP-Pure
Pigmented Polypropylene



T-343 Diaphragm Valve
-Manually Controlled
-EPDM/PTFE Diaphragm

OD		Dimensions														PN 10 / SDR 11		
mm	inch	da	da1	s	L	L1	L2	L3	L4	s1	d	h	t	K	E	Weight (lbs)	Asahi Part #	Agro Code
20/20	1/2 x 1/2	0.787	0.787	0.075	6.457	1.417	1.417	4.409	4.213	0.075	3.346	0.638	0.669	0.984	M6	1.056	9146005	72.343.2021.11
32/20	1 x 1/2	1.260	0.787	0.114	6.457	1.417	1.417	4.803	4.213	0.075	3.346	0.748	0.787	0.965	M6	1.496	9146130	72.343.3221.11
32/25	1 x 3/4	1.260	0.984	0.114	6.457	1.417	1.417	4.803	4.213	0.091	3.346	0.748	0.787	0.965	M6	1.518	9146131	72.343.3226.11
32/32	1 x 1	1.260	1.260	0.114	6.457	1.417	1.417	4.803	4.213	0.114	3.346	0.748	0.787	0.965	M6	1.496	9146010	72.343.3233.11
40/20	1 1/4 x 1/2	1.575	0.787	0.146	7.244	1.811	1.417	5.000	4.287	0.098	3.346	0.787	0.748	0.965	M6	1.672	9146166	72.343.4021.11
40/25	1 1/4 x 3/4	1.575	0.984	0.146	7.244	1.811	1.417	5.000	4.287	0.106	3.346	0.787	0.748	0.965	M6	1.562	9146167	72.343.4026.11
40/32	1 1/4 x 1	1.575	1.260	0.146	7.244	1.811	1.417	5.000	4.484	0.114	3.346	0.787	0.748	0.965	M6	1.65	9146168	72.343.4033.11
50/20	1 1/2 x 1/2	1.969	0.787	0.181	7.244	1.811	1.417	5.177	4.394	0.075	3.346	0.866	0.748	0.965	M6	1.804	9146208	72.343.5021.11
50/32	1 1/2 x 1	1.969	1.260	0.181	7.244	1.811	1.417	5.177	4.591	0.114	3.346	0.866	0.748	0.965	M6	1.804	9146211	72.343.5033.11
63/32	2 x 1	2.480	1.260	0.228	7.244	1.811	1.417	5.433	4.591	0.114	3.346	0.866	0.669	0.965	M6	1.958	9146249	72.343.6333.11

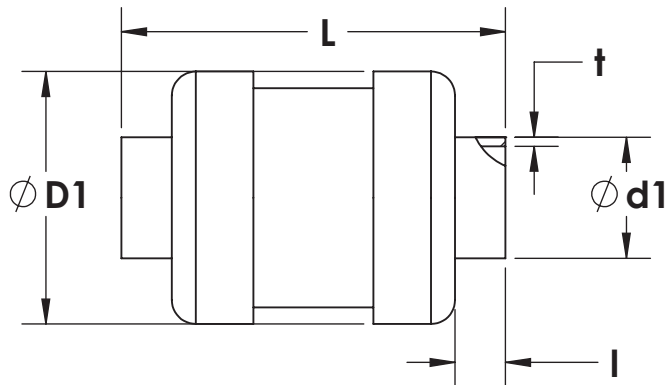


PP-Pure
Pigmented Polypropylene

Type 21 Ball Valve

OD		Dimension							Weight (lbs)	Asahi Part #
mm	inch	d1	l	t	L	S1	S2	S3		
20	1/2	0.787	0.728	0.098	4.882	0.75	0.29	0.43	0.5	1485005
25	3/4	0.984	0.866	0.106	5.670	0.75	0.29	0.43	0.8	1485007
32	1	1.260	0.866	0.118	6.063	0.75	0.29	0.43	1.1	1485010
40	1 1/4	1.575	1.024	0.146	6.850	1.18	0.35	0.59	2.3	1485012
50	1 1/2	1.969	1.260	0.181	7.638	1.18	0.35	0.59	2.5	1485015
63	2	2.480	1.414	0.228	8.819	1.18	0.35	0.59	2.7	1485020

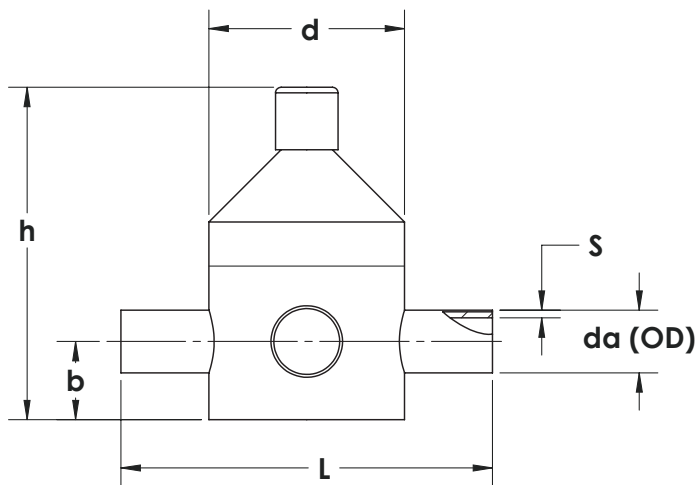
PP-Pure
Pigmented Polypropylene



Ball Check Valve Spigot End

*Dimensions for Asahi machined butt/IR end

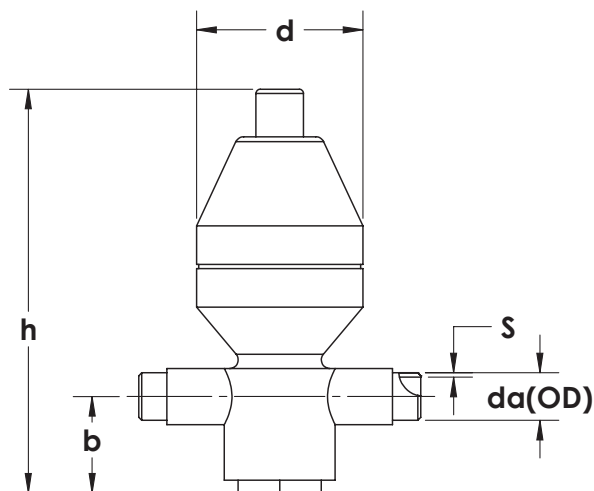
OD		Dimensions				Asahi Part #
mm	inch	d1	l	t	L	
20	1/2	0.787	0.728	0.098	4.00	1430005
25	3/4	0.984	0.866	0.106	4.35	1430007
32	1	1.260	0.866	0.118	4.75	1430010
40	1 1/4	-	-	-	-	-
50	1 1/2	1.969	1.260	0.181	5.75	1430015
63	2	2.480	1.414	0.228	6.50	1430020



V82 Pressure Regulator w/ Gauge Guard

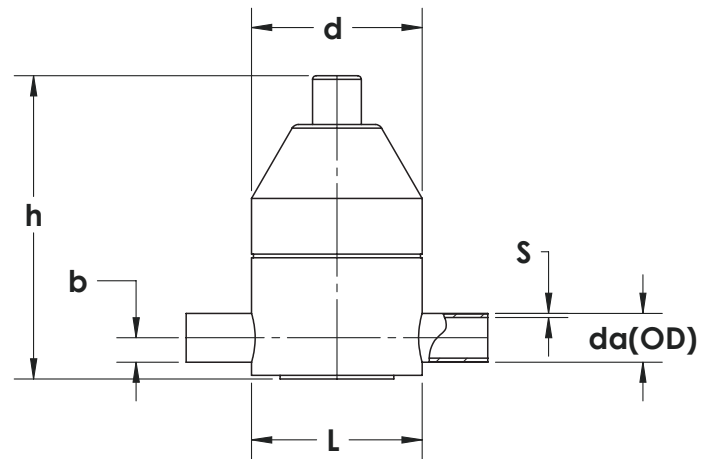
OD		Dimensions						Range	Weight (lbs)	Asahi Part #
mm	inch	DN	d	L	b	h	s	psi		
20	1/2"	0.591	2.756	5.906	1.181	5.118	0.075	7.25-145	1.166	54241005
25	3/4"	0.787	3.937	7.480	1.575	6.693	0.075	7.25-145	2.376	54241007
32	1"	0.984	3.937	7.480	1.575	6.693	0.094	7.25-145	2.904	54241010
40	1 1/4"	1.260	5.118	9.449	2.165	9.055	0.094	7.25-145	5.522	54241012
50	1 1/2"	1.575	5.118	9.449	2.165	9.055	0.118	7.25-145	5.522	54241015
63	2"	1.969	6.102	10.236	2.953	11.220	0.118	7.25-145	8.712	54241020
75	2 1/2"	2.559	7.480	11.811	3.937	13.780	0.142	7.25-87	17.402	54241025

PP-Pure
Pigmented Polypropylene



V782 Pressure Regulator

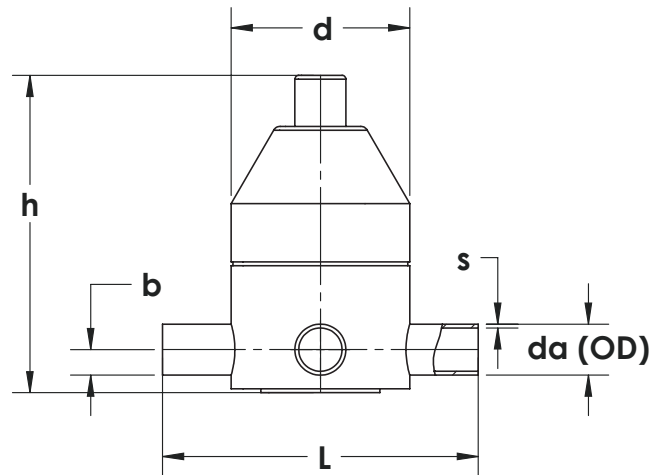
OD		Dimensions						Range	Weight (lbs)	Asah Part #
mm	inch	DN	d	L	b	h	s	psi		
20	1/2"	0.591	3.268	6.772	1.890	9.449	0.075	7.25-145	1.100	54243005
25	3/4"	0.787	4.409	7.480	2.559	10.709	0.075	7.25-145	3.080	54243007
32	1"	0.984	4.409	7.480	2.559	10.709	0.094	7.25-145	3.080	54243010
40	1 1/4"	1.260	6.496	10.315	3.740	14.016	0.094	7.25-145	8.580	54243012
50	1 1/2"	1.575	6.496	10.315	3.740	14.016	0.118	7.25-145	8.580	54243015



V186 Back Pressure Regulator

OD		Dimensions						Range	Weight (lbs)	Asahi Part #
mm	inch	DN	d	L	b	h	s	psi		
20	1/2"	0.591	3.268	6.220	0.787	5.394	0.075	7.25-145	0.858	54244005
25	3/4"	0.787	3.268	6.220	0.787	5.394	0.075	7.25-145	0.880	54244007
32	1"	0.984	4.409	7.795	1.063	7.835	0.094	7.25-145	2.266	54244010
40	1 1/4"	1.260	4.409	7.795	1.063	7.835	0.094	7.25-145	2.266	54244012
50	1 1/2"	1.575	6.496	10.315	1.693	11.417	0.118	7.25-145	9.680	54244015
63	2"	1.969	6.496	10.315	1.693	11.417	0.118	7.25-145	9.900	54244020

PP-Pure Pigmented Polypropylene



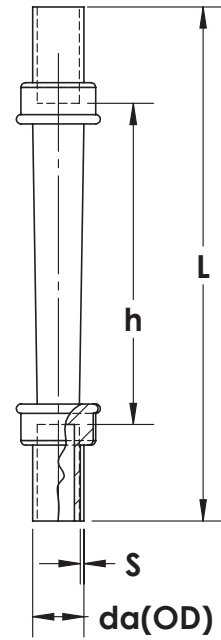
V185 Pressure Relief T-Valve

OD		Dimensions						Range	Weight (lbs)	Asahi Part #
mm	inch	DN	d	L	b	h	s	psi		
20	1/2"	0.591	3.268	6.220	0.787	5.394	0.075	7.25-145	0.880	54245005
25	3/4"	0.787	3.268	6.220	0.787	5.394	0.075	7.25-145	1.980	54245007
32	1"	0.984	4.409	7.795	1.063	7.835	0.094	7.25-145	1.980	54245010
40	1 1/4"	1.260	4.409	7.795	1.063	7.835	0.094	7.25-145	2.398	54245012
50	1 1/2"	1.575	6.496	10.315	1.693	11.417	0.118	7.25-145	9.680	54245015
63	2"	1.969	6.496	10.315	1.693	11.417	0.118	7.25-145	9.900	54245020

M123 Flowmeter

SIZE		Dimensions				SDR 21 150 PSI / PN 10	
mm	inch	DN	L	h	s	FLOWRATE	Asahi Part #
20	1/2	0.591	11.535	7.283	0.075	0.03 - 0.35 gpm (8- 80 l/h)	54246001
20	1/2	0.591	11.535	7.283	0.075	0.07 - 0.66 gpm (15 - 150 l/h)	54246002
20	1/2	0.591	11.535	7.283	0.075	0.09 - 0.88 gpm (20 - 200 l/h)	54246003
32	1	0.984	12.598	7.874	0.094	0.07 - 0.66 gpm (15 - 150 l/h)	54246004
32	1	0.984	12.598	7.874	0.094	0.13 - 1.32 gpm (30 - 300 l/h)	54246005
32	1	0.984	12.598	7.874	0.094	0.22 - 2.20 gpm (50 - 500 l/h)	54246006
32	1	0.984	12.598	7.874	0.094	0.44 - 4.40 gpm (100 -1000 l/h)	54246007

Non-stock item, 50% restock charge.

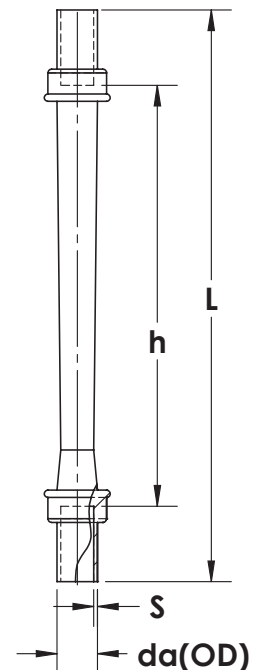


PP-Pure
Pigmented Polypropylene

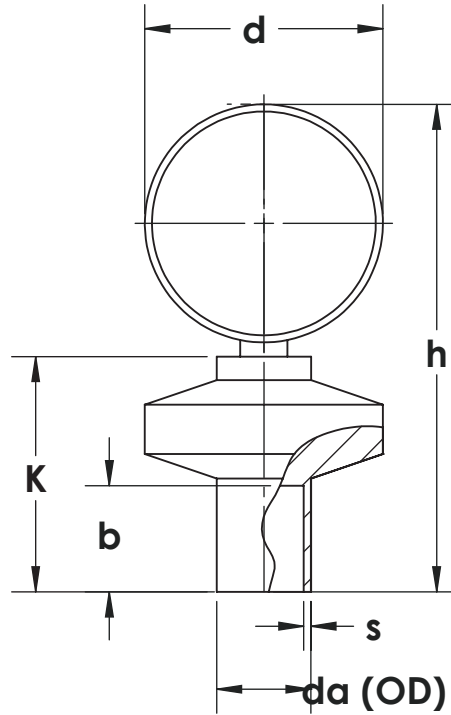
M23 Flowmeter

SIZE		Dimensions				SDR 21 150 PSI / PN 10	
mm	inch	DN	L	h	s	FLOWRATE	Asahi Part #
32	1	0.984	17.913	13.189	0.094	0.07 - 0.66 gpm (15 - 150 l/h)	54247001
32	1	0.984	17.913	13.189	0.094	0.22 - 2.20 gpm (50 - 500 l/h)	54247002
32	1	0.984	17.913	13.189	0.094	0.44 - 4.40 gpm (100 -1000 l/h)	54247003
50	1-1/2	1.575	18.386	13.189	0.118	0.88 - 8.81 gpm (200 - 2000 l/h)	54247004
50	1-1/2	1.575	18.386	13.189	0.118	1.32 - 13.21 gpm (300 - 3000 l/h)	54247005
63	2	1.969	18.622	13.189	0.118	2.64 - 26.42 gpm (600 - 6000 l/h)	54247006
63	2	1.969	18.622	13.189	0.118	5.28 - 52.83 gpm (1200 - 12000 l/h)	54247007
75	2-1/2	2.559	17.835	13.189	0.142	8.81 - 88.06 gpm (2000 - 20000 l/h)	54247008
75	2-1/2	2.559	17.835	13.189	0.142	13.21 - 132.09 gpm (3000 - 30000 l/h)	54247009

Non-stock item, 50% restock charge.



PP-Pure
Pigmented Polypropylene



Z701 Gauge Guard*

OD		Dimensions						Range	Weight (lbs)	Asahi Part #
mm	inch	s	d	L	b	h	s	psi		
25	3/4	0.787	2.480	2.835	1.181	5.079	0.075	145.000	0.704	54248007
32	1	0.984	3.937	3.937	1.181	8.268	0.094	145.000	1.474	54248010

* No Gauge

WARRANTY

Warranty; Limitation on Liability. Asahi/America, Inc., (“Seller”) warrants, to the original Buyer only, that all products delivered hereunder shall be free from defects in design and manufacture for a period of one year from the date of delivery, provided that such products are installed, used, operated, adjusted and serviced only in a proper and appropriate manner and in strict accordance with any instructions relating thereto furnished to Buyer by Seller. In no event shall the foregoing warranty extend to any products in any way caused or allowed to be, or installed, operated or used in such a manner as to be, subject or exposed to conditions of misuse, abuse or accident.

THE FOREGOING WARRANTY IS EXCLUSIVE AND IN LIEU OF ANY AND ALL OTHER WARRANTIES, EXPRESS OR IMPLIED. NO WARRANTY OF MERCHANTABILITY, NO IMPLIED WARRANTY OF FITNESS FOR ANY PARTICULAR PURPOSE, AND NO IMPLIED WARRANTY ARISING BY USAGE OF TRADE, COURSE OF DEALING OR COURSE OF PERFORMANCE IS GIVEN BY SELLER OR SHALL ARISE BY OR IN CONNECTION WITH THIS SALE AND/OR THE SELLER’S AND/OR BUYER’S CONDUCT IN RELATION THERETO OR TO EACH OTHER, AND IN NO EVENT SHALL SELLER BE LIABLE ON ANY SUCH WARRANTY WITH RESPECT TO ANY PRODUCT.

Liability of the Seller under or in connection with this sale and/or the foregoing warranty shall be limited, at the sole option of the Seller, to one repair of, replacement of, or a refund of the purchase price of any products or part thereof (a), with respect to which Seller receives, promptly after Buyer’s discovery of any alleged defect and prior to the expiration of the one-year warranty period as provided above, notice from Buyer or Buyer’s claim defect and (b) which shall be returned to Seller by Buyer, as provided herein, promptly after Buyer’s discovery of such alleged defect and which shall be determined by the Seller to have proven defective within the one-year warranty period provided above; failure by Buyer to notify Seller and return such products to Seller after Buyer’s discovery of such alleged defect shall constitute a waiver by Buyer of any and all claims of any kind with respect thereto. Any products returned by Buyer to Seller under the foregoing terms shall be returned to Seller’s place of business freight prepaid, accompanied or preceded by Buyer’s particularized statement of the claimed defect. The risk of loss and freight charges to and from Seller in connection with any returned products shall be borne by Buyer; but Seller shall bear such additional freight charges arising in connection with any such returned products ultimately determined by Seller to be defective under the terms of the foregoing warranty, the cost of repair or replacement (if any) of such products, and the risk of loss or damage which such products are in Seller’s possession at its place of business. The foregoing remedy shall constitute the sole and exclusive remedy of the Buyer under or in connection with this sale and/or warranty of the Seller. Except as specifically provided herein, Seller shall not be responsible or liable for any costs, expenses or damages of Buyer in connection with any removal, repair or replacement (including any attempts or actions relating thereto) of any allegedly defective products, and no charge of setoff of any kind of Buyer relating thereto shall be made against the Seller without prior and specific written approval of Seller.

IN NO EVENT SHALL SELLER BE RESPONSIBLE OR LIABLE FOR ANY SPECIAL, INDIRECT, INCIDENTAL OR CONSEQUENTIAL DAMAGES ARISING IN ANY WAY IN CONNECTION WITH ANY PRODUCTS OR THIS SALE.

The agreement of Seller to sell its products is expressly conditioned upon the Buyer’s assent to, and Seller agrees to sell its products only upon, all terms and conditions set forth above and on the face hereof. Buyer’s acceptance of any products provided under this sale shall constitute such assent.

PP-Pure™ Dimensional Guide

PP-Pure
Pigmented Polypropylene



35 Green Street, PO Box 653, Malden, MA 02148

Tel: (781) 321-5409 - Toll Free: (800) 343-3618 - Fax: (781) 397-8831 - (800) 787-6861

www.asahi-america.com - asahi@asahi-america.com

Direct Sales: East (800) 232-7244 / Central (800) 442-7244 / West (800) 282-7244