

PDCPD Large Diameter Butterfly Valves (28" - 48")

Specifications

Sizes: 28" - 48"
Models: Wafer Style
Operators: Gear
Bodies: PDCPD
Discs: PDCPD
Seats: EPDM, FKM
Stems: 403 Stainless steel
Max Working Press: 110 PSI
Max Working Temp: 175° F

Standard Features

- High corrosion resistance PDCPD body
- Light Weight – Considerably lighter than metallic valves of same size
- Wafer style body design
- Full seat liner design
 - Eliminates mating flange gaskets
- Spherical disc design
 - For maximum flow characteristics
- Non-wetted metal Parts
 - No metal to media contact
- ISO 5211 F-Series top flange
- 304 SS stem
- Durable cast iron epoxy coated gear-operator
- Class 6 bubble-tight shut-off

Options

- 2" Square operating nut on gear-operator

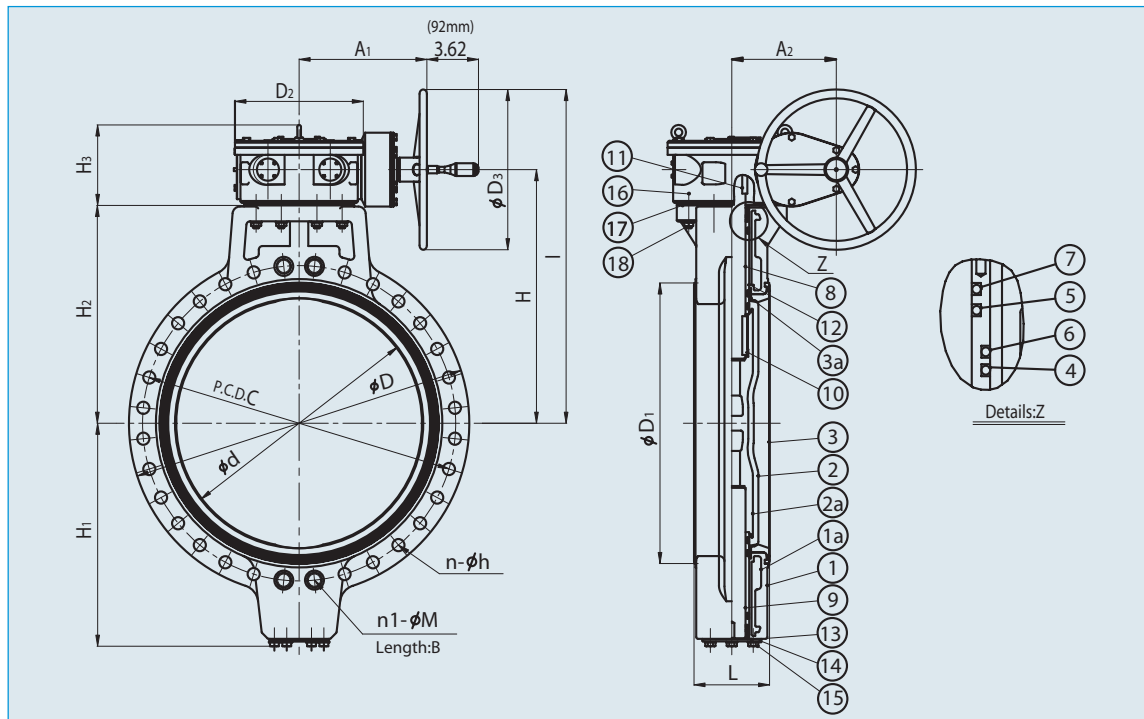
Parts List

| PARTS | | | |
|-------|------------------------|------|---|
| NO. | DESCRIPTION | PCS. | MATERIAL |
| 1 | Body | 1 | PDCPD |
| 2 | Disc | 1 | PDCPD |
| 3 | Seat | 1 | FKM, EPDM |
| 4 | O-Ring (A) | 11 | FKM, EPDM |
| 5 | O-Ring (B) | 3 | FKM, EPDM |
| 6 | O-Ring (C) | 1 | NBR |
| 7 | O-Ring (D) | 1 | NBR |
| 8 | Stem (A) | 1 | Stainless Steel 304 |
| 9 | Stem (B) | 1 | Stainless Steel 304 |
| 10 | Key (A) | 1 | Carbon Steel |
| 11 | Key (B) | 1 | Carbon Steel |
| 12 | Bush | 2 | Bronze Casting (For EPDM Liner) PVDF (For FKM Liner) |
| 13 | Gasket (A) | 1 | Nonas Sheet |
| 14 | Stem Holder | 1 | Stainless Steel 304 |
| 15 | Bolt (A) | 6 | Stainless Steel 304 |
| 16 | Gear Box | 1 | Cast Iron (FC200 With Epoxy Coat) |
| 17 | Thrust Ring (A) | 1 | UHMEPE |
| 18 | Bolt (B) | 8 | Stainless Steel 304 |
| 3a | Stabilization Ring | 2 | Stainless Steel 304 |
| 1a | Inserted Metal of Body | 1 | Cast Iron (FCD450) |
| 1b | Inserted Metal of Disc | 1 | Cast Iron (FCD450) |

Sample Specification

All PDCPD butterfly valves sizes 28" – 48" shall be of the lined body design and feature a Class 6 bubble tight seal, with only the liner and disc as wetted parts. Gear-Operators shall be self locking worm gear design, with cast iron body and corrosion resistant epoxy finish. The disc shall be spherical design for long life. Liner shall be convex ring face design for lower bolt torque and be molded and formed around the body doubling as mating flange gaskets. Stem shall be 403SS, non-wetted and of 2-piece design. Valves shall have ISO 5211 molded bolt pattern on top flange. All valves shall be rated to a maximum of 110 psi at 70 F as manufactured by Asahi/America, Inc.

PDCPD Large Diameter Butterfly Valves



Dimensions (Inches)

| NOMINAL SIZE | | ANSI CLASS 125/150 | | | | | | | | | | | | | | | | | | Gear Box Model | |
|--------------|------|--------------------|-------|----|------|----|-------|------|-------|-------|-------|-------|-------|-------|-------|-------|-------|-------|-------|----------------|-------|
| INCHES | mm | d | C | n | h | h1 | M | B | D | D1 | D2 | D3 | L | A1 | A2 | H1 | H2 | H3 | H | | I |
| 28 | 700 | 26.38 | 34.00 | 24 | 1.38 | 4 | 1-1/4 | 1.38 | 36.54 | 29.92 | 13.78 | 17.13 | 8.11 | 15.83 | 11.22 | 23.19 | 23.23 | 9.76 | 26.97 | 35.31 | BRF10 |
| 32 | 800 | 30.31 | 38.50 | 24 | 1.62 | 4 | 1-1/2 | 1.38 | 41.34 | 34.25 | 13.78 | 17.13 | 9.45 | 15.83 | 11.22 | 24.37 | 24.41 | 9.76 | 28.15 | 36.50 | BRF10 |
| 36 | 900 | 34.25 | 42.75 | 28 | 1.62 | 4 | 1-1/2 | 1.38 | 45.98 | 38.50 | 13.78 | 25.00 | 9.45 | 15.83 | 11.22 | 27.72 | 27.76 | 9.76 | 31.50 | 44.00 | BRF10 |
| 40 | 1000 | 38.19 | 42.75 | 32 | 1.62 | 4 | 1-1/2 | 1.65 | 50.00 | 42.52 | 18.11 | 25.00 | 11.81 | 22.20 | 9.53 | 29.49 | 29.52 | 10.39 | 33.27 | 45.55 | BRF20 |
| 44 | 1100 | 42.52 | 51.75 | 36 | 1.62 | 8 | 1-1/2 | 1.77 | 54.33 | 47.05 | - | 25.00 | 11.81 | 22.24 | 9.02 | 30.71 | 33.07 | 12.72 | 39.84 | 52.36 | BRF20 |
| 48 | 1200 | 46.06 | 56.00 | 40 | 1.62 | 8 | 1-1/2 | 1.77 | 58.58 | 51.18 | - | 25.00 | 13.78 | 22.24 | 9.02 | 33.46 | 35.04 | 12.72 | 41.81 | 54.33 | BRF20 |

Cv Values

| NOMINAL SIZE | | Cv | | |
|--------------|------|-------|--------|---------|
| INCHES | mm | 30' | 60' | 90' |
| 28 | 700 | 3,600 | 13,000 | 32,000 |
| 32 | 800 | 4,200 | 17,000 | 43,000 |
| 36 | 900 | 5,600 | 22,000 | 55,000 |
| 40 | 1000 | 7,000 | 26,000 | 70,000 |
| 44 | 1200 | 6,450 | 36,550 | 86,000 |
| 48 | 1400 | 7,500 | 42,500 | 100,000 |

Pres. vs. Temp (Non-shock)

| NOMINAL SIZE | | Pressure Vs Temp. | | Weight (Lbs) |
|--------------|------|-------------------|------------|--------------|
| INCHES | mm | 30-120° F | 121-175° F | |
| 28 | 700 | 110 PSI | 70 PSI | 840 |
| 32 | 800 | 110 PSI | 70 PSI | 1015 |
| 36 | 900 | 110 PSI | 70 PSI | 1215 |
| 40 | 1000 | 110 PSI | 70 PSI | 1830 |
| 44 | 1200 | 110 PSI | 97.5 PSI | 2205 |
| 48 | 1400 | 110 PSI | 97.5 PSI | 2426 |

