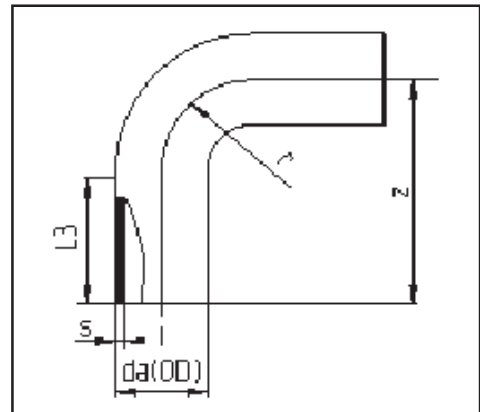


Proline 150

New Extended Leg 90°

- IR/Butt Fusion
- Molded



Proline Polypropylene

OD		Dimensions		PN 10/ ISO S-5/ SDR 11				
(MM)	(Inch)	r	z	l3	Agru Code	Asahi Part #	s	Weight (lbs)
20	1/2"	0.787	2.323	1.457	11.068.0020.11	5007005	0.075	0.02
25	3/4"	0.984	2.618	1.535	11.068.0025.11	5007007	0.091	0.02
32	1"	1.260	3.091	1.732	11.068.0032.11	5007010	0.114	0.04
40	1 1/4"	1.575	3.602	1.929	11.068.0040.11	5007012	0.146	0.07
50	1 1/2"	1.969	4.213	2.205	11.068.0050.11	5007015	0.181	0.22
63	2"	2.480	5.000	2.520	11.068.0063.11	5007020	0.228	0.33
75	2 1/2"	2.952	5.826	2.834	11.068.0075.11	5007025	0.267	0.49
90	3"	3.543	6.535	2.953	11.068.0090.11	5007030	0.323	0.75
110	4"	4.331	7.421	2.953	11.068.0110.11	5007040	0.394	1.37
125	5"	4.921	8.405	3.346	11.068.0125.11	5007050	0.448	3.25
160	6"	6.299	10.019	3.543	11.068.0160.11	5007060	0.574	3.75
200	8"	7.873	12.303	4.251	11.068.0200.11	5007080	0.716	7.19

Updated 6/1/07