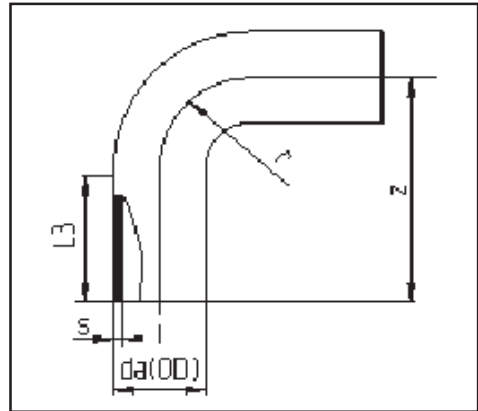


PolyPure

New Extended Leg 90°

- IR/Butt Fusion
- Molded



PolyPure, Natural
Polypropylene

OD		Dimensions		PN 10/ ISO S-5/ SDR 11				
(MM)	(Inch)	r	z	l3	Agru Code	Asahi Part #	s	Weight (lbs)
20	½"	0.787	2.323	1.457	16.068.0020.11	6302005	0.075	0.02
25	¾"	0.984	2.618	1.535	16.068.0025.11	6302007	0.091	0.04
32	1"	1.260	3.091	1.732	16.068.0032.11	6302010	0.114	0.09
40	1¼"	1.575	3.602	1.929	16.068.0040.11	6302012	0.146	0.18
50	1½"	1.969	4.213	2.205	16.068.0050.11	6302015	0.181	0.31
63	2"	2.480	5.000	2.520	16.068.0063.11	6302020	0.228	0.57
90	3"	3.543	6.535	2.953	16.068.0090.11	6302030	0.323	1.50
110	4"	4.331	7.421	2.953	16.068.0110.11	6302040	0.394	2.07

Updated 6/1/07
28