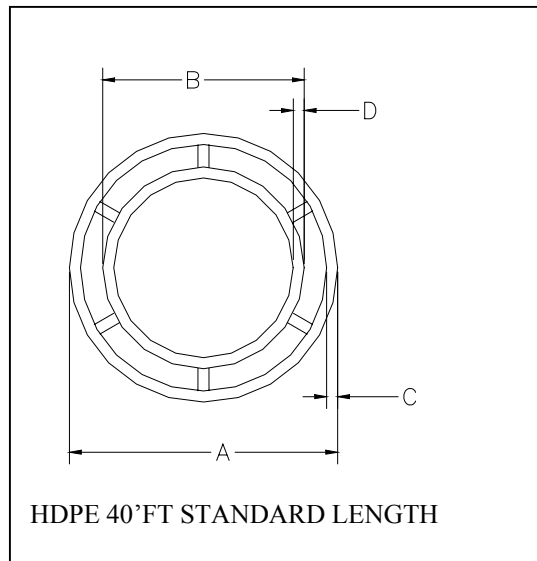




ASAHI/AMERICA®

POLY-FLO HDPE Piping Systems

EXTRUDED UNITARY PIPE



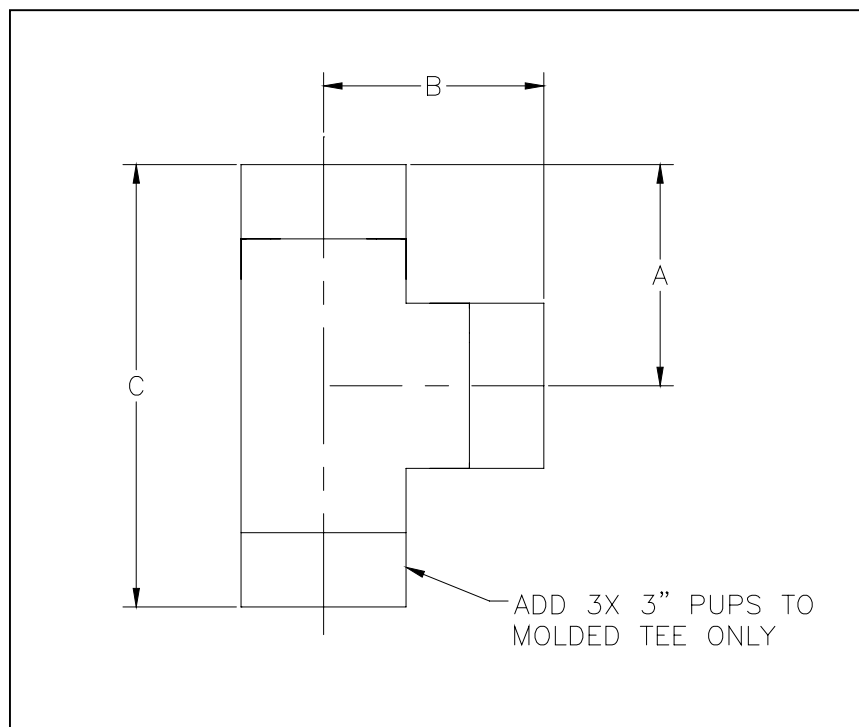
NOM SIZE	A	B	C	D	PART NO.
(in.)	(in.)	(in.)	(in.)	(in.)	HDPE
1 X 2	1.950	1.220	0.100	0.100	4403249
2 X 3	3.035	2.280	0.125	0.125	4403338
4 X 6	6.080	4.560	0.250	0.250	4403532



ASAHI/AMERICA®

POLY-FLO Piping Systems

HDPE MOLDED



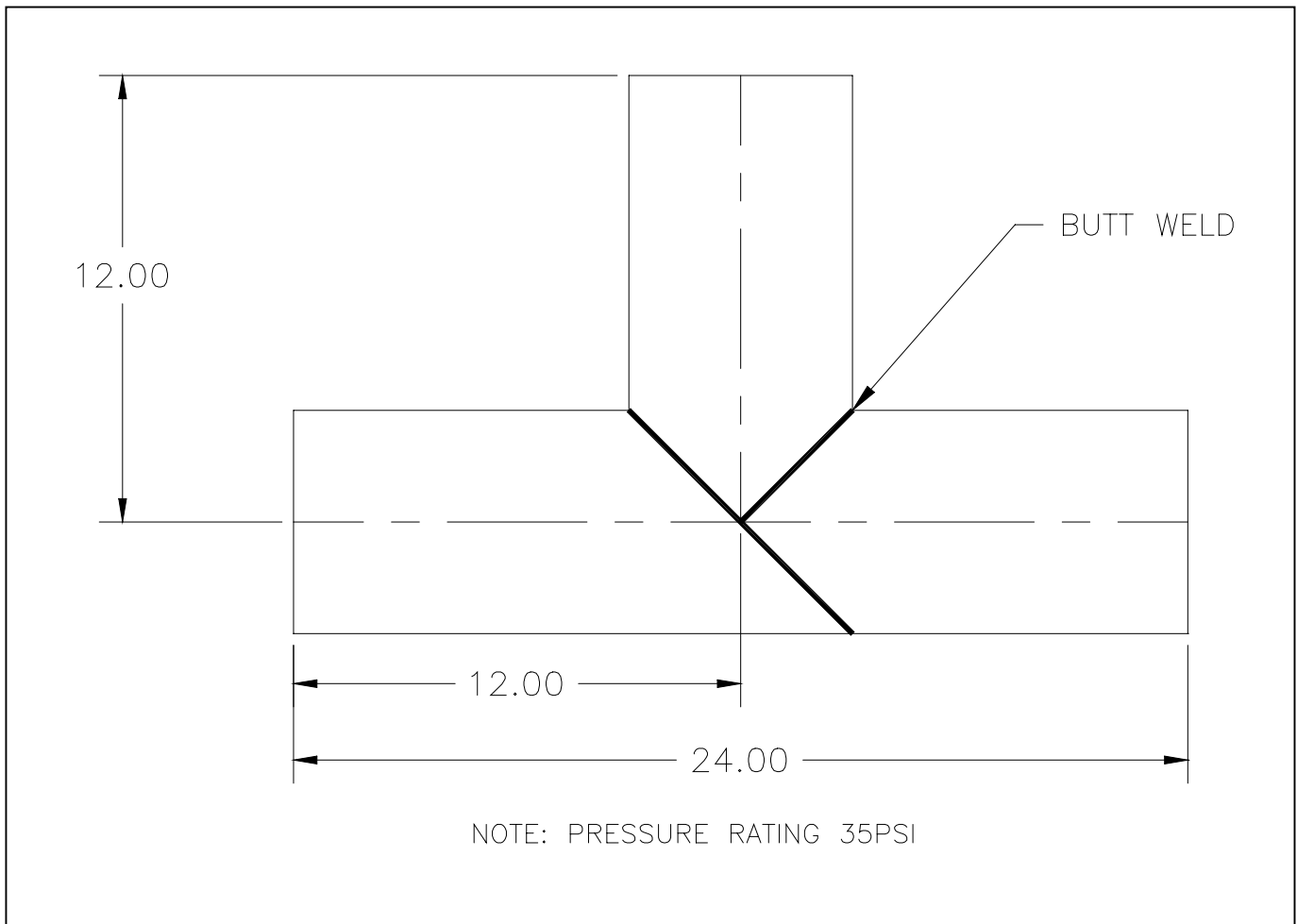
NOM SIZE	A	B	C	PART NO.
(in.)	(in.)	(in.)	(in.)	HDPE
1 X 2	4.90	5.88	9.80	4211249
2 X 3	5.84	7.36	11.69	4211338



ASAHI/AMERICA®

POLY-FLO Piping Systems

4X6 HDPE FABRICATED TEE



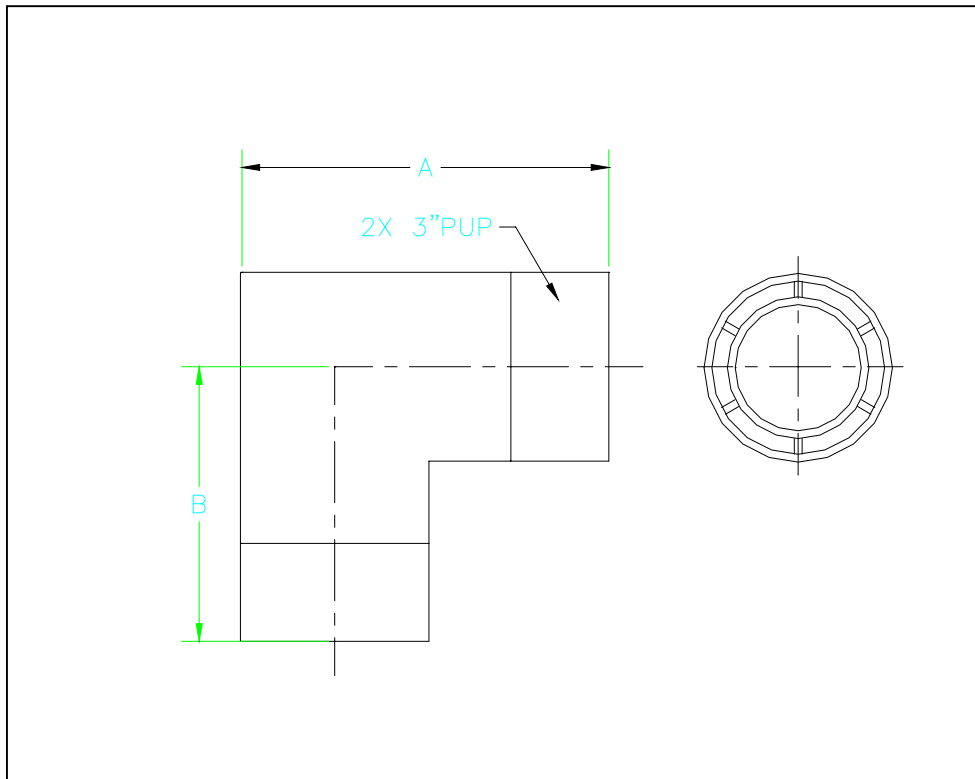
SIZE	PART NUMBER
4X6	4411532



ASAHI/AMERICA®

POLY-FLO Piping Systems

90° ELBOW



NOM SIZE	A	B	PART NO.
(in.)	(in.)	(in.)	HDPE
1 X 2	5.88	4.90	4404249
2 X 3	7.36	5.84	4404338

Asahi America Inc. 35 Green St Malden Ma 02148 Office 1-781-321-5409 Fax 1-781-321-4421

Email: asahi@asahi-america.com

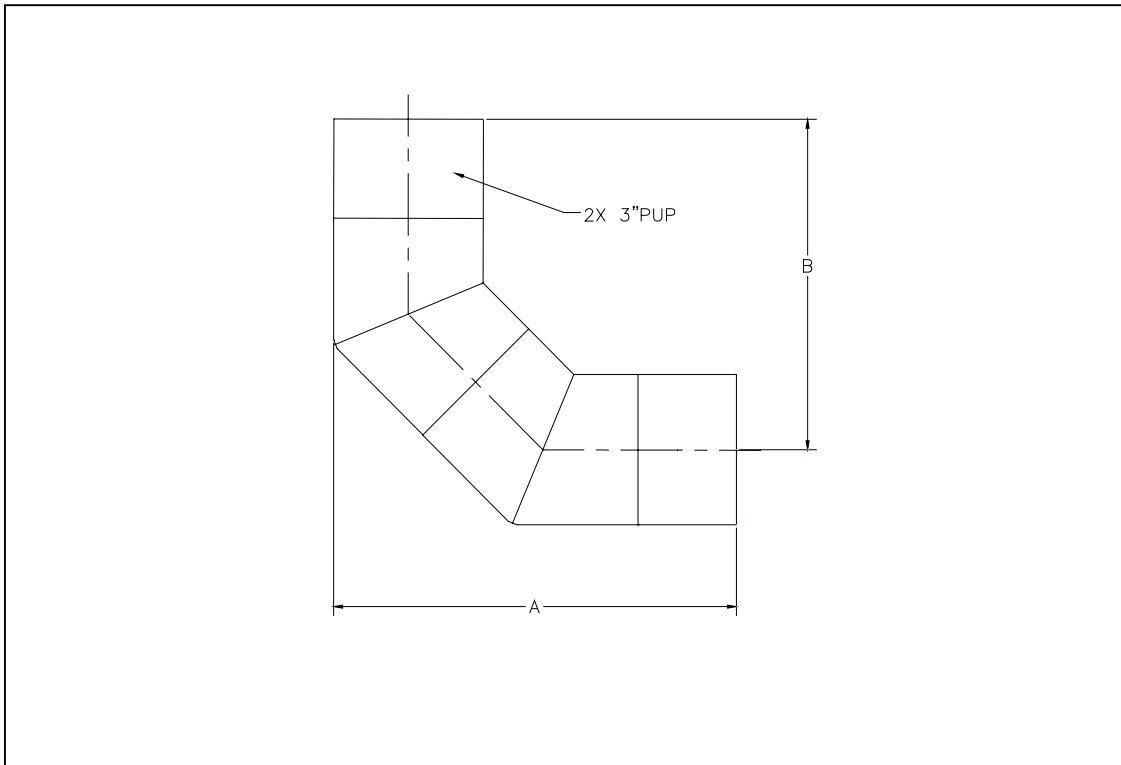
Internet: www.asahi-america.com



ASAHI/AMERICA®

POLY- FLO Piping Systems

90° LONG SWEEP ELBOW



N O M S I Z E	A	B	P A R T N O .
(in.)	(in.)	(in.)	H D P E
1 X 2	7.18	6.03	4 4 0 5 2 4 9
2 X 3	9.18	7.67	4 4 0 5 3 3 8

Asahi America Inc. 35 Green St Malden Ma 02148 Office 1-781-321-5409 Fax 1-781-321-4421

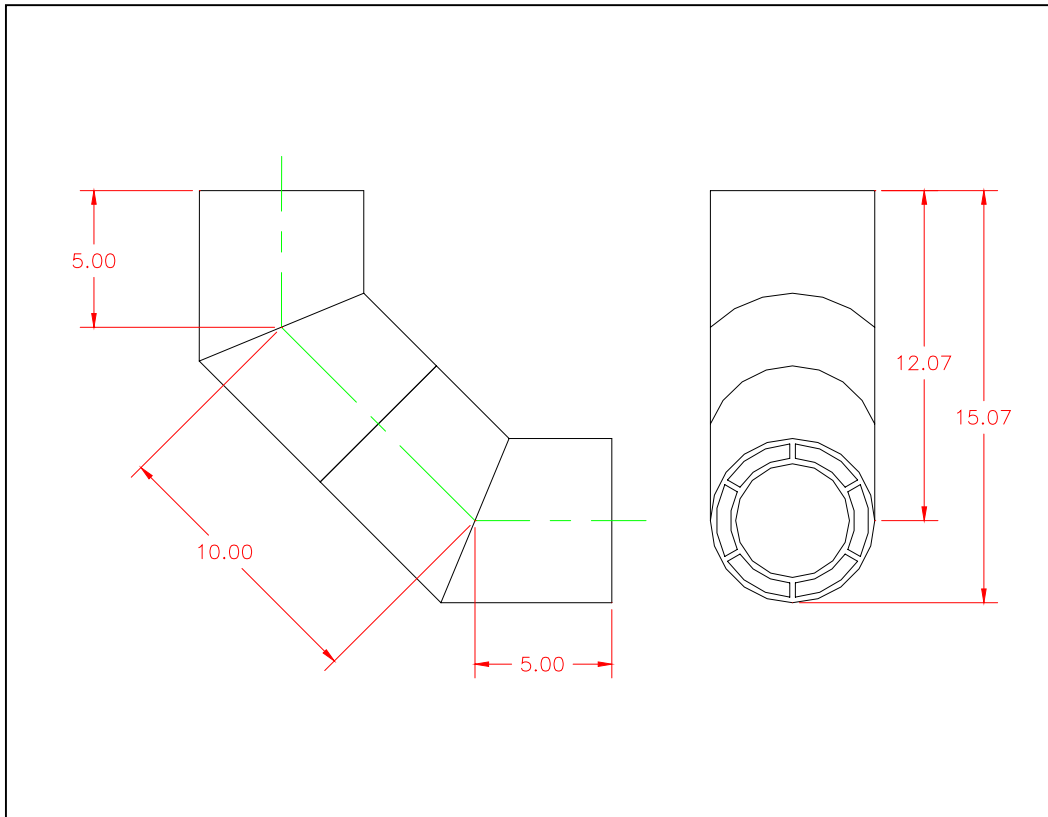
Email: asahi@asahi-america.com

Internet: www.asahi-america.com



ASAHI/AMERICA®

POLY- FLO Piping Systems
FABRICATED FROM PIPE 90° LONG SWEEP



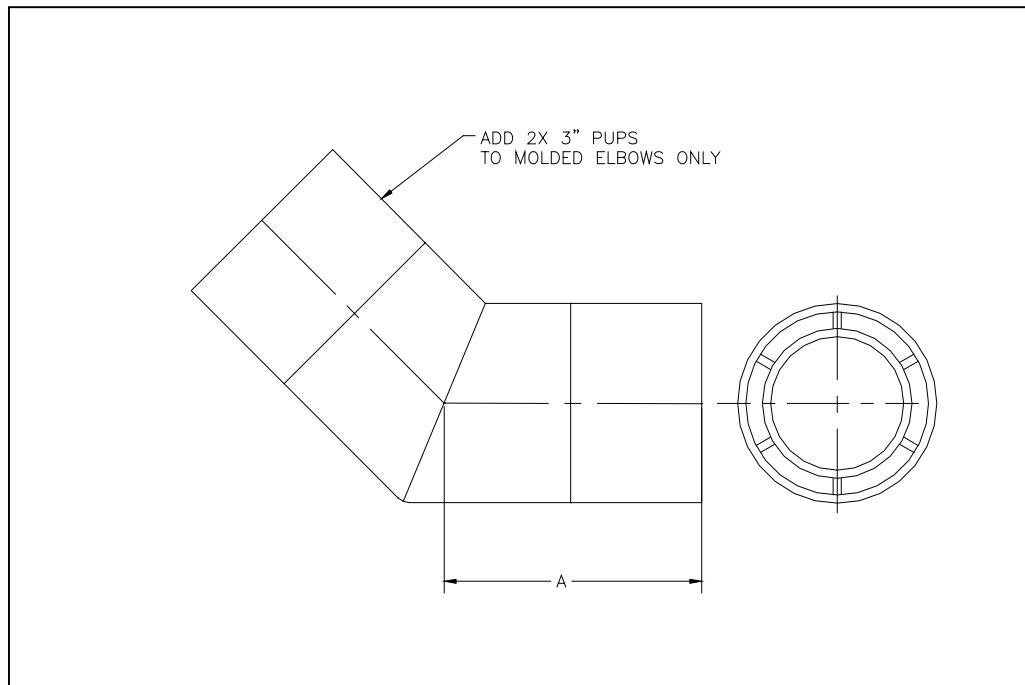
NOM SIZE	PART NO .
(in .)	HDPE
4 X 6	4405532



ASAHI/AMERICA®

POLY- FLO Piping Systems

45° ELBOW



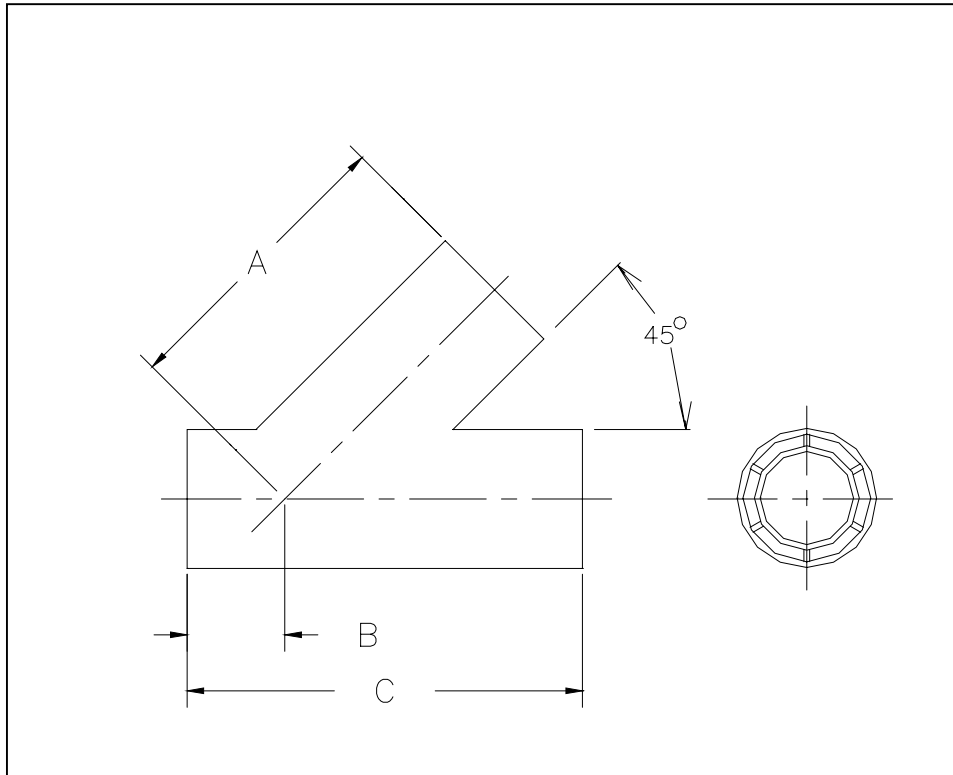
NOM SIZE	A	PART NO.
(in.)	(in.)	HDPE
1 X 2	4.73	4408249
2 X 3	5.55	4408338
4 X 6	6.24	4408532



ASAHI/AMERICA®

POLY- FLO Piping Systems

45° LATERAL



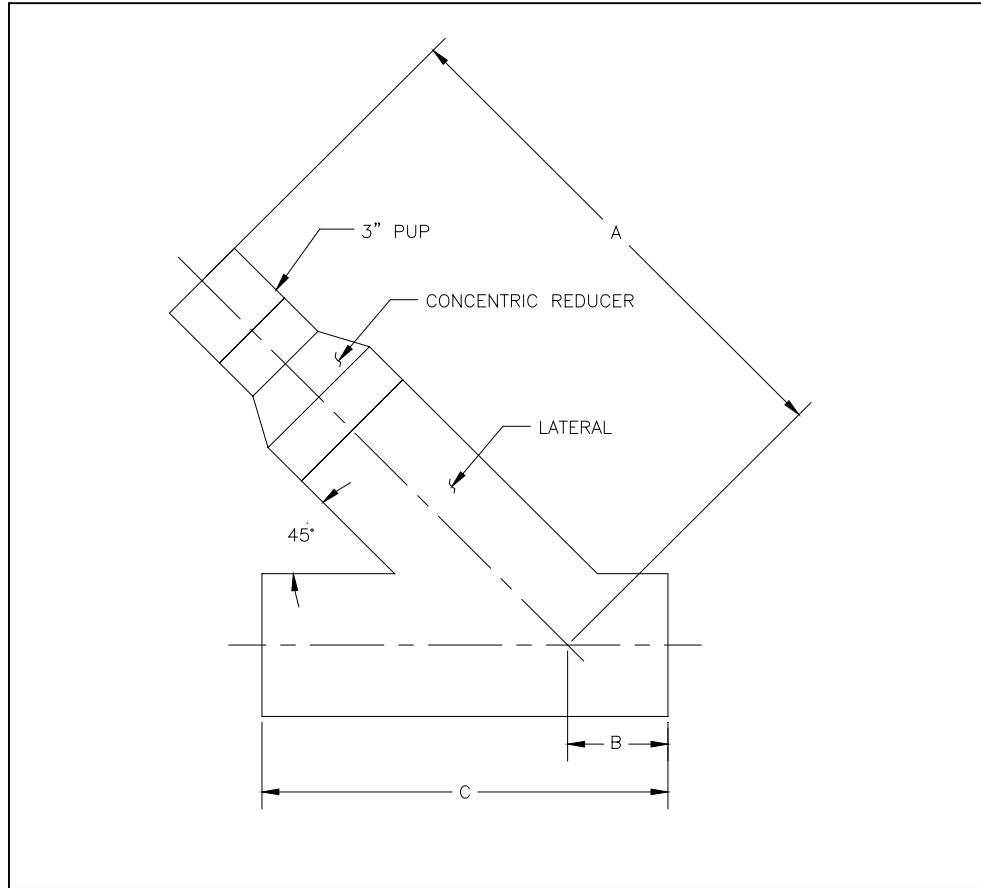
NOM SIZE	A	B	C	PART NO.
(in.)	(in.)	(in.)	(in.)	HDPE
2 X 3	6.45	2.13	8.60	4451338
4 X 6	16.00	8.00	24.00	4451532



ASAHI/AMERICA®

POLY- FLO Piping Systems

REDUCING LATERAL



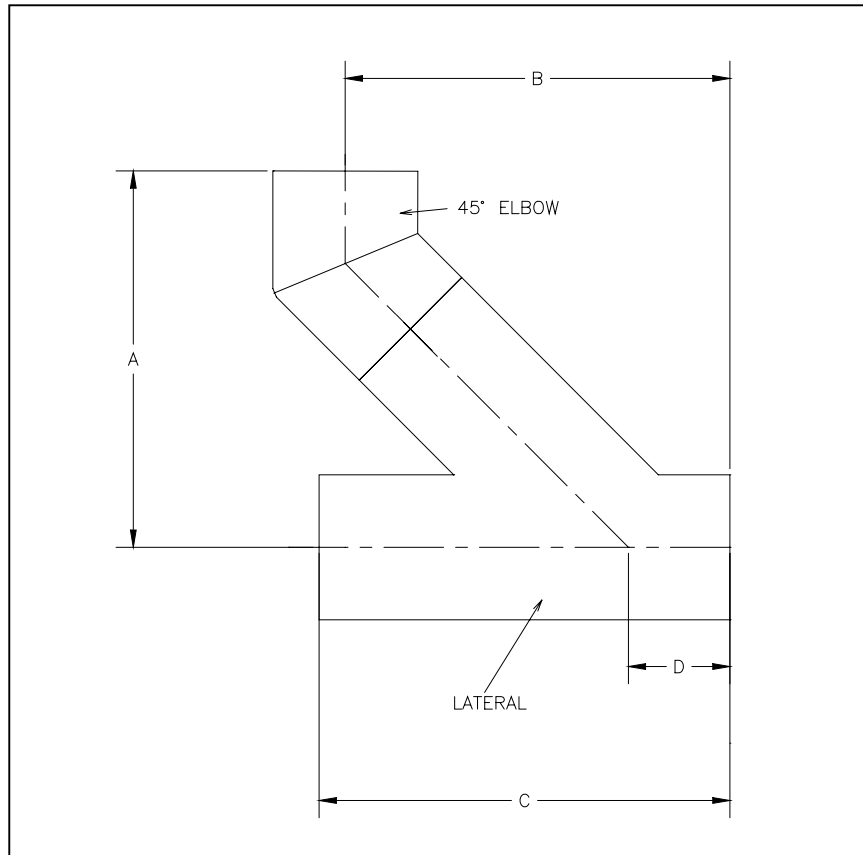
NOM SIZE	A	B	C	PART NO.
(in.)	(in.)	(in.)	(in.)	HDPE
(2 X 1)(3 X 2)	12.20	2.13	8.60	4491338
(4 X 2)(6 X 3)	21.00	8.00	24.00	4491532



ASAHI/AMERICA®

POLY- FLO Piping Systems

LATERAL W/1/8 BEND



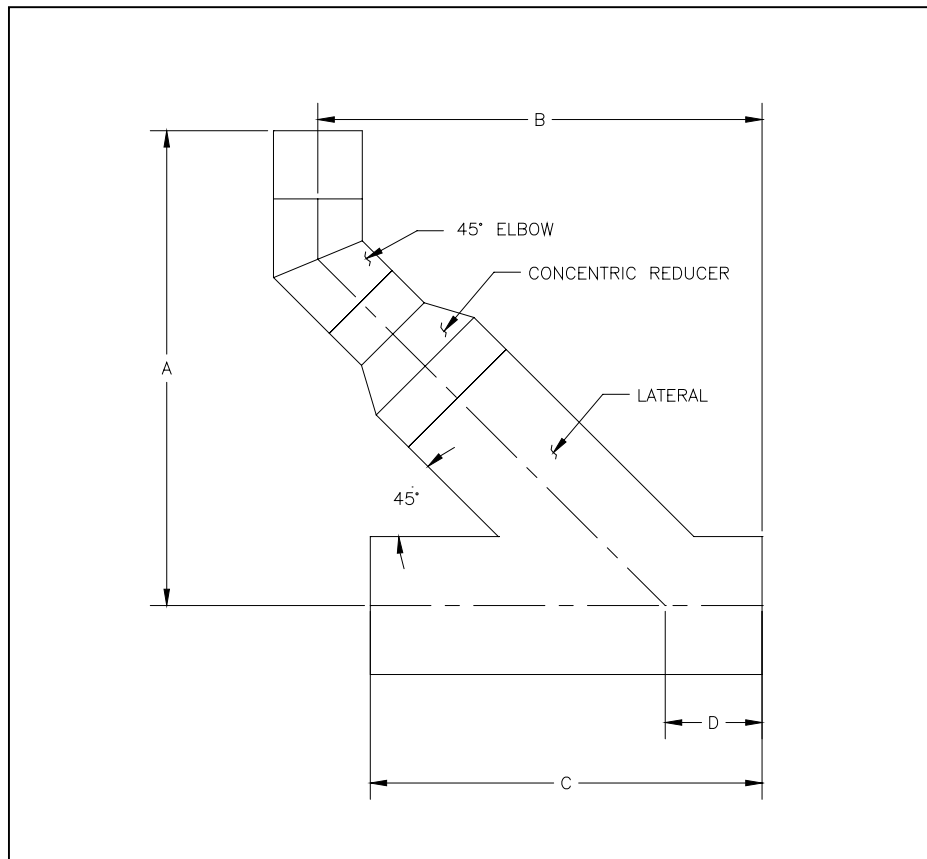
NOM SIZE	A	B	C	D	PART NO.
(in.)	(in.)	(in.)	(in.)	(in.)	HDPE
2 X 3	11.50	7.88	12.00	4.00	4450338
4 X 6	20.50	23.50	24.00	8.00	4450532



ASAHI/AMERICA®

POLY- F LO Piping Systems

REDUCING LATERAL W/1/8 BEND



NOM SIZE	A	B	C	D	PART NO.
(in.)	(in.)	(in.)	(in.)	(in.)	HDPE
(2 X 1)(3 X 2)	11.75	9.50	8.60	2.13	4490338
(4 X 2)(6 X 3)	20.13	23.38	24.00	8.00	4490532

Asahi America Inc. 35 Green St Malden Ma 02148 Office 1-781-321-5409 Fax 1-781-321-4421

Email: asahi@asahi-america.com

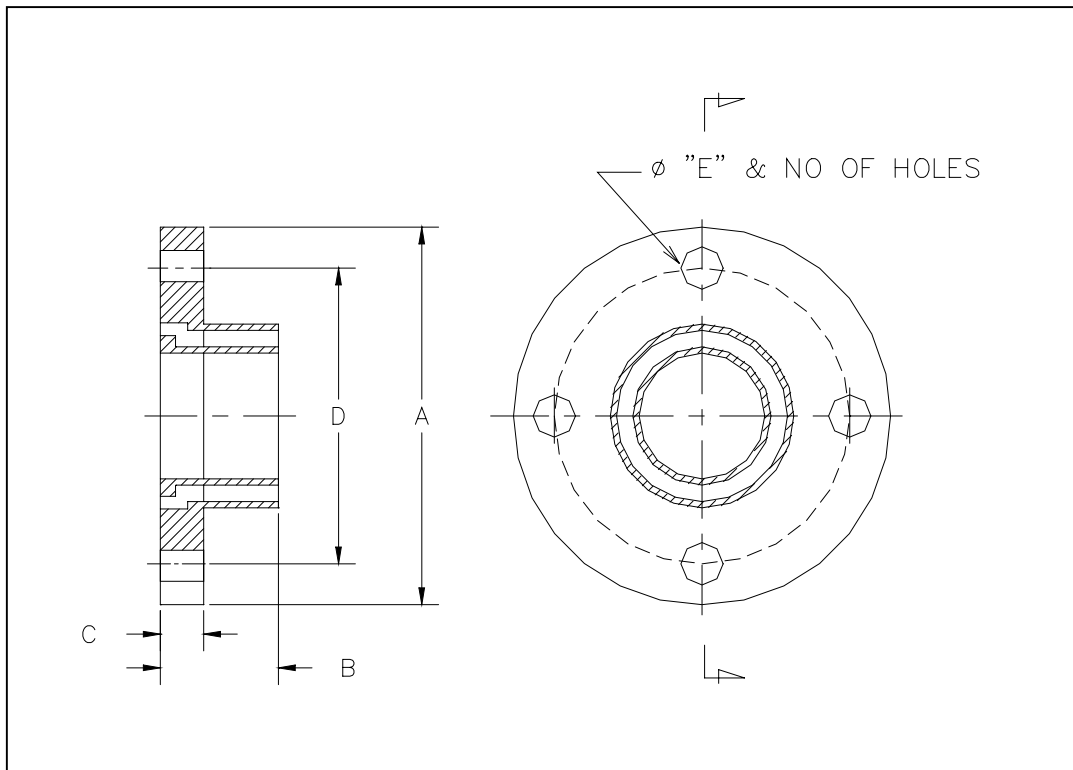
Internet: www.asahi-america.com



ASAHI/AMERICA®

POLY- FLO Piping Systems

FLANGE



NOM SIZE	A	B	C	D	E	# OF HOLES	PART NO.
(in.)	(in.)	(in.)	(in.)	(in.)	Ø (in.)	(in.)	HDPE
1 X 2	4.31	1.52	0.60	3.13	0.50	4 @ 90°	4446249
2 X 3	6.06	1.90	0.70	4.75	0.63	4 @ 90°	4446338
4 X 6	11.00	2.50	1.12	9.50	0.75	8 @ 45°	4446532

Asahi America Inc. 35 Green St Malden Ma 02148 Office 1-781-321-5409 Fax 1-781-321-4421

Email: asahi@asahi-america.com

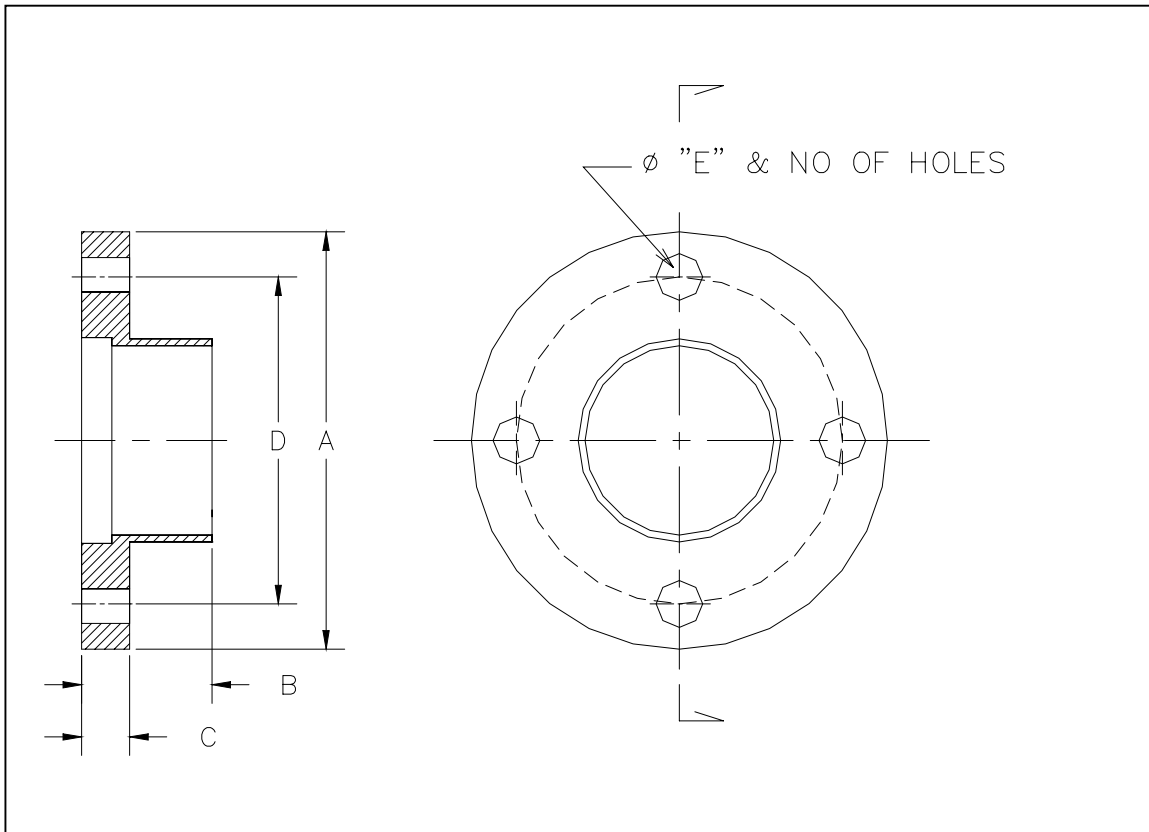
Internet: www.asahi-america.com



ASAHI/AMERICA®

POLY- FLO Piping Systems

OUTER WALL FLANGE



NOM SIZE	A	B	C	D	E	# OF HOLES	PART NO.
(in.)	(in.)	(in.)	(in.)	(in.)	(in.)	(in.)	BPP
1 X 2	4.31	1.52	0.60	3.13	0.50	4 @ 90°	4444249
2 X 3	6.06	1.90	0.70	4.75	0.63	4 @ 90°	4444338
4 X 6	11.00	2.50	1.12	9.50	0.75	8 @ 45°	4444532

Asahi America Inc. 35 Green St Malden Ma 02148 Office 1-781-321-5409 Fax 1-781-321-4421

Email: asahi@asahi-america.com

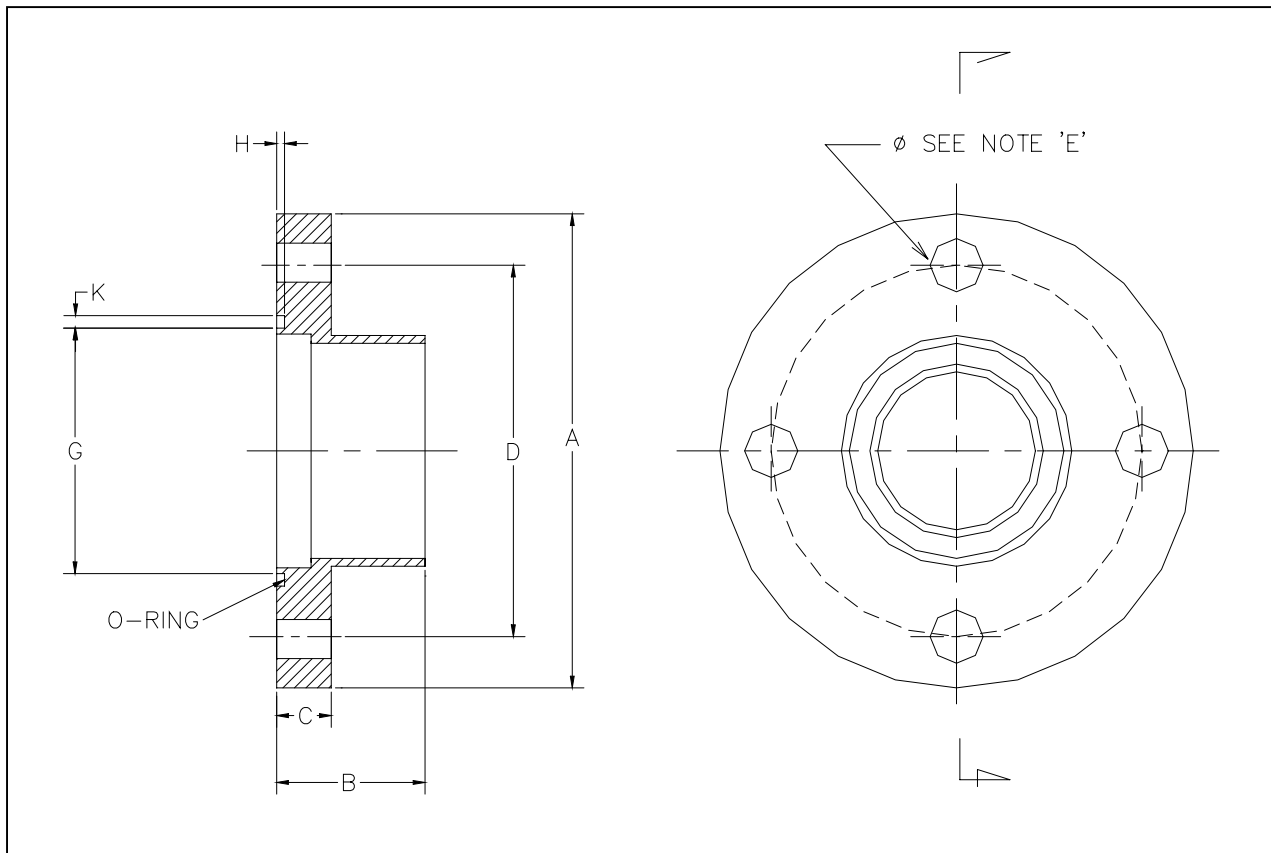
Internet: www.asahi-america.com



ASAHI/AMERICA®

POLY- FLO Piping Systems

OUTER WALL O-RING FLANGE



NOM SIZE	A	B	C	D	E	# OF HOLES	O-RING #	G DIM	K	H	PART NO.
(in.)	(in.)	(in.)	(in.)	(in.)	Ø (in.)	(in.)		I.D.	WIDTH	DEPTH	HDPE
1 X 2	4.31	1.52	0.60	3.13	0.50	4 @ 90°	2-227	2.109	.177-.187	.101-.107	4441249
2 X 3	6.06	1.90	0.70	4.75	0.63	4 @ 90°	2-340	3.350	.270-.290	.152-.162	4441338
4 X 6	11.00	2.50	1.12	9.50	0.75	8 @ 45°	2-440	6.725	.342-.362	.201-.211	4441532

Asahi America Inc. 35 Green St Malden Ma 02148 Office 1-781-321-5409 Fax 1-781-321-4421

Email: asahi@asahi-america.com

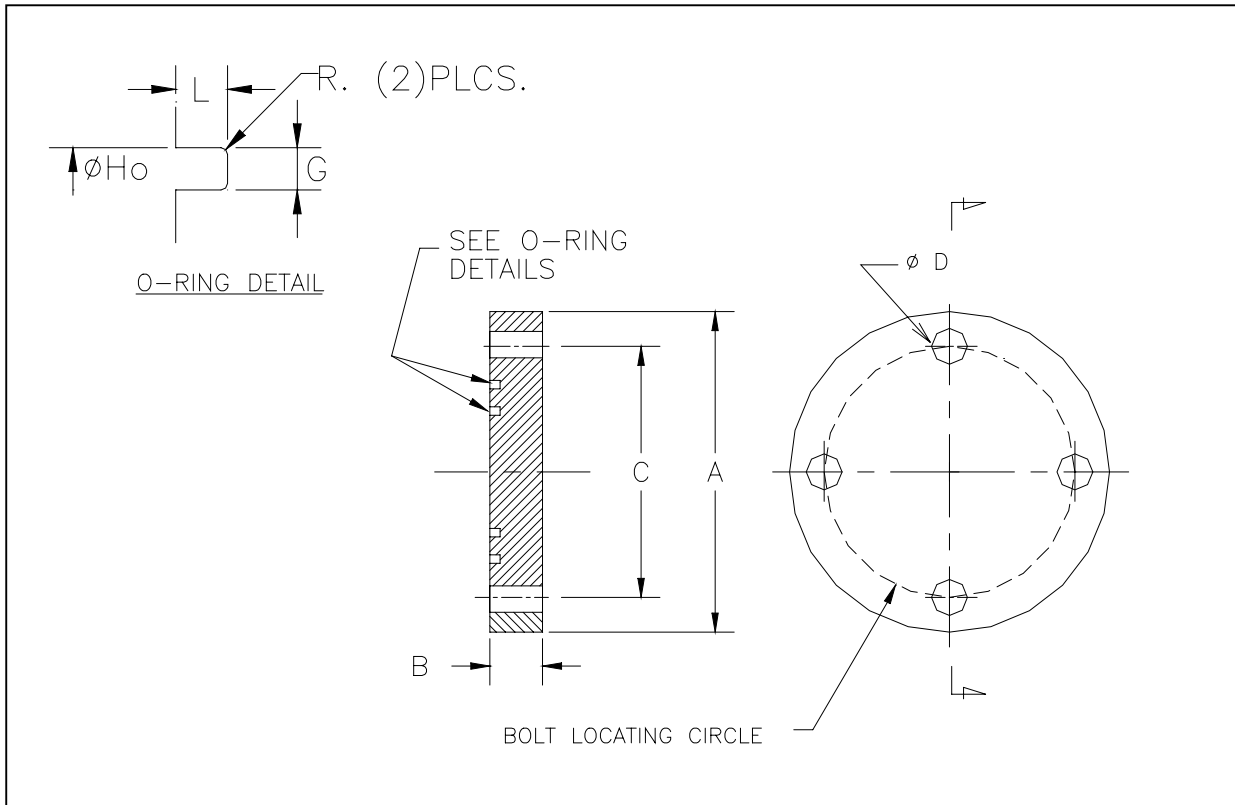
Internet: www.asahi-america.com



ASAHI/AMERICA®

POLY- FLO Piping Systems

BLIND FLANGE



NOM SIZE	A	B	C	D	B.C.	# OF HOLES	PART NO.
	(in.)	(in.)	(in.)	(in.)	(in.)	OUTER	HDPE
1 X 2	4.313	0.750	3.130	0.750	3.130	4 @ 90°	4442249
2 X 3	6.063	1.000	4.750	0.500	4.750	4 @ 90°	4442338
4 X 6	11.000	1.500	9.500	0.625	9.500	8 @ 90°	4442532
O-RING GROOVE DIMENSION.							
SIZE	No.	No.	Ho	L	G	R	
	LOC.		(in.)	(in.)	(in.)	(in.)	
1 X 2	INNER	216	1.387	.101/.107	.177/.187	.010/.025	
	OUTER	227	2.387	.101/.107	.177/.187	.010/.025	
2 X 3	INNER	331	2.645	.152/.162	.270/.290	.020/.035	
	OUTER	340	3.77	.152/.162	.270/.290	.020/.035	
4 X 6	INNER	425	4.025	.201/.211	.342/.362	.020/.035	
	OUTER	440	7.275	.201/.211	.342/.362	.020/.035	

Asahi America Inc. 35 Green St Malden Ma 02148 Office 1-781-321-5409 Fax 1-781-321-4421

Email: asahi@asahi-america.com

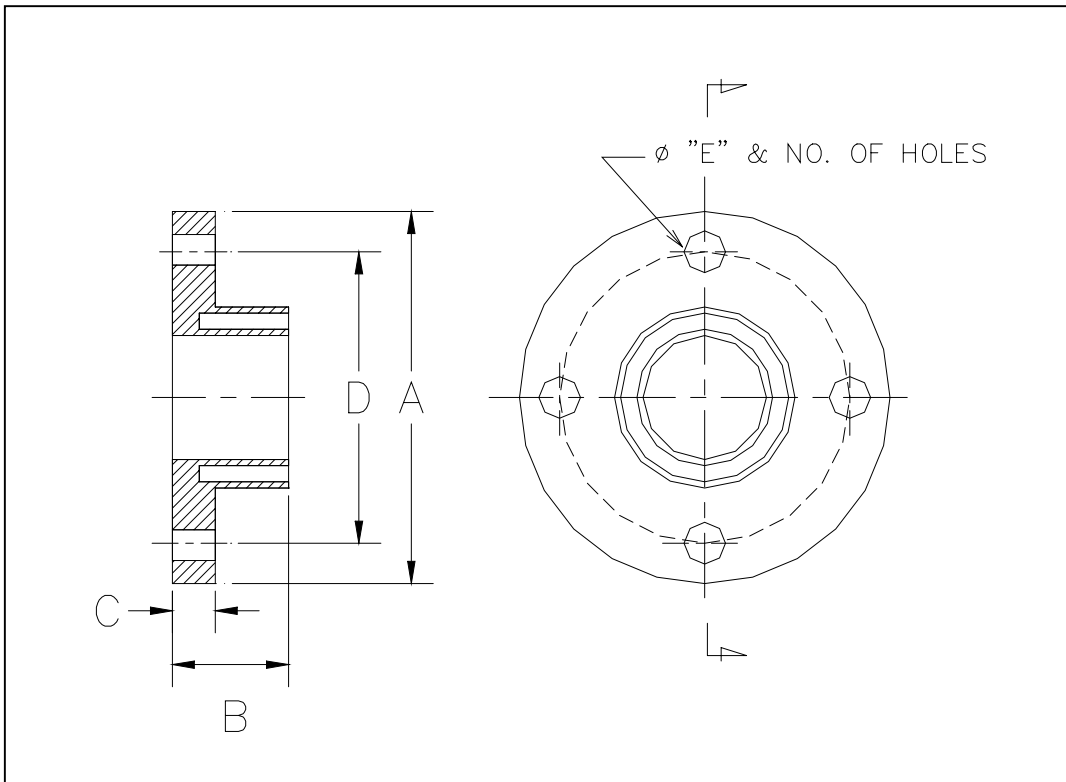
Internet: www.asahi-america.com



ASAHI/AMERICA®

POLY- FLO Piping Systems

TERMINATION FLANGE



NOM SIZE	A	B	C	D	E	# OF HOLES	PART NO.
(in.)	(in.)	(in.)	(in.)	(in.)	Ø (in.)	(in.)	HDPE
1 X 2	4.31	1.52	0.60	3.13	0.50	4 @ 90°	4443249
2 X 3	6.06	1.90	0.70	4.75	0.625	4 @ 90°	4443338

Asahi America Inc. 35 Green St Malden Ma 02148 Office 1-781-321-5409 Fax 1-781-321-4421

Email: asahi@asahi-america.com

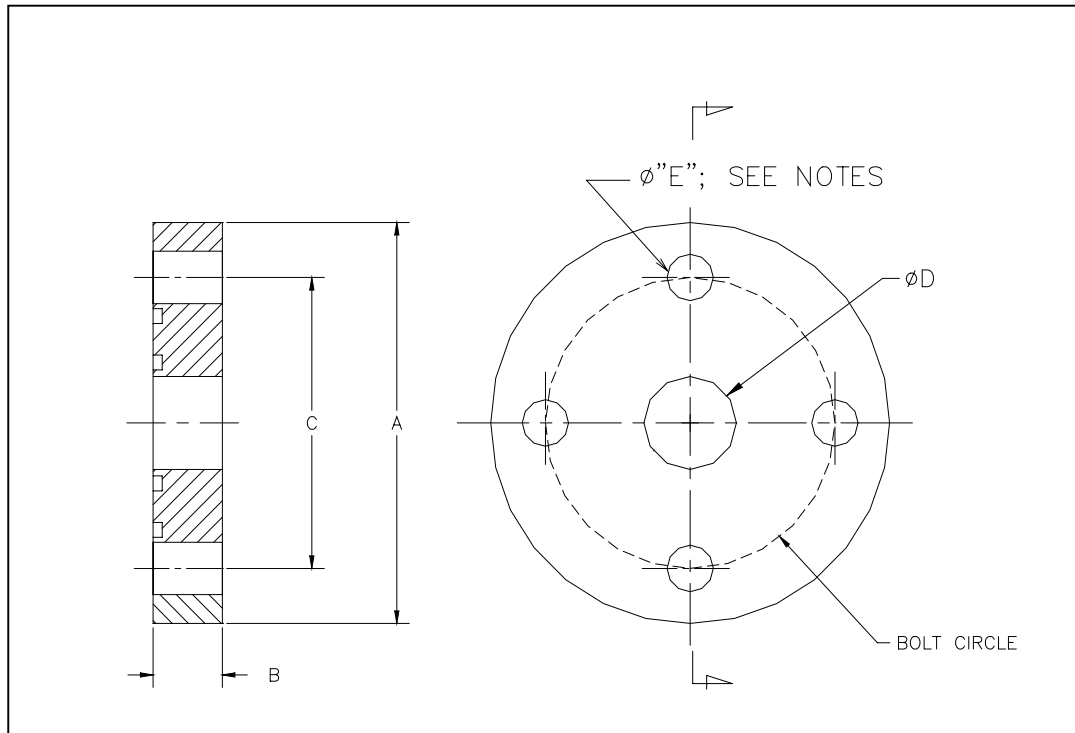
Internet: www.asahi-america.com



ASAHI/AMERICA®

POLY- FLO Piping Systems

ISOLATION FLANGE



NOM SIZE	A	B	C	D	E	B.C.	# OF HOLES	RING #	RING #	PART NO.
(in.)	(in.)	(in.)	(in.)	(in.)	Ø (in.)	(in.)	(in.)	INNER	OUTER	HDPE
1 X 2	4.31	0.75	3.13	1.00	0.50	3.13	4 @ 90°	216	227	4440249
2 X 3	6.06	1.10	4.75	1.90	0.68	4.75	4 @ 90°	331	340	4440338
4 X 6	11.00	1.50	9.50	4.06	0.75	9.50	8 @ 45°	425	440	4440532

Asahi America Inc. 35 Green St Malden Ma 02148 Office 1-781-321-5409 Fax 1-781-321-4421

Email: asahi@asahi-america.com

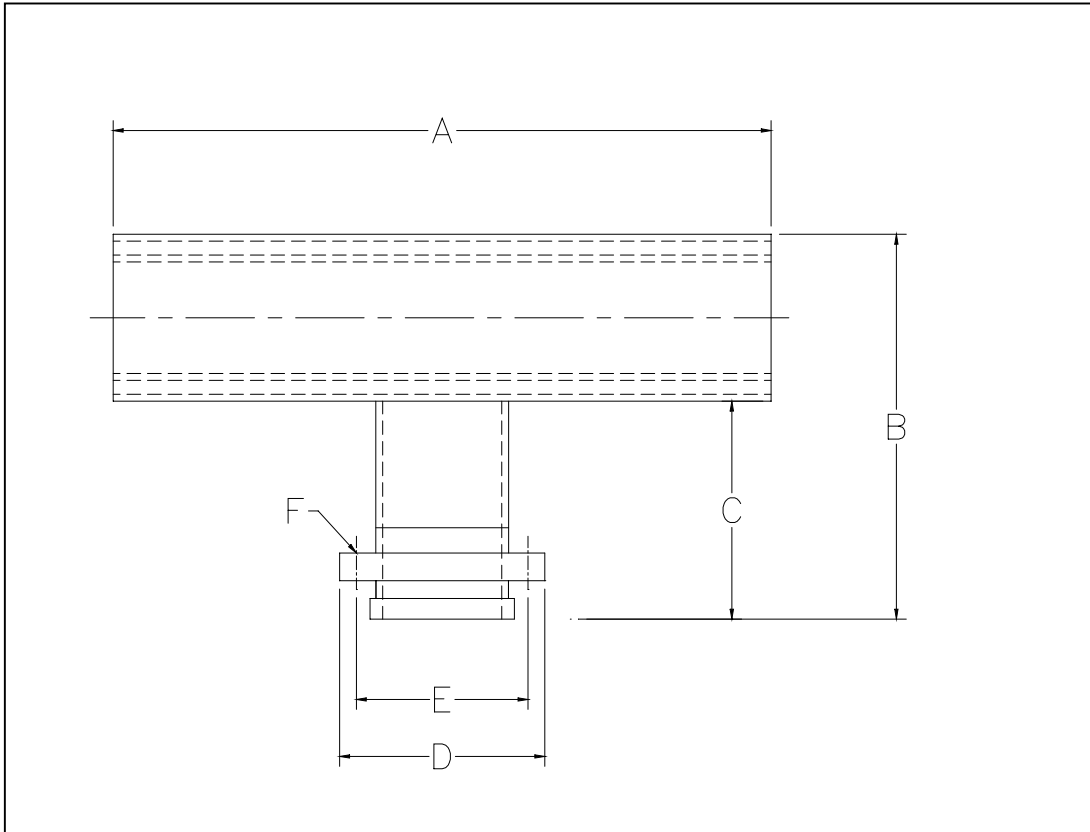
Internet: www.asahi-america.com



ASAHI/AMERICA®

POLY- FLO Piping Systems

OUTER-WALL FLANGED OUTLET



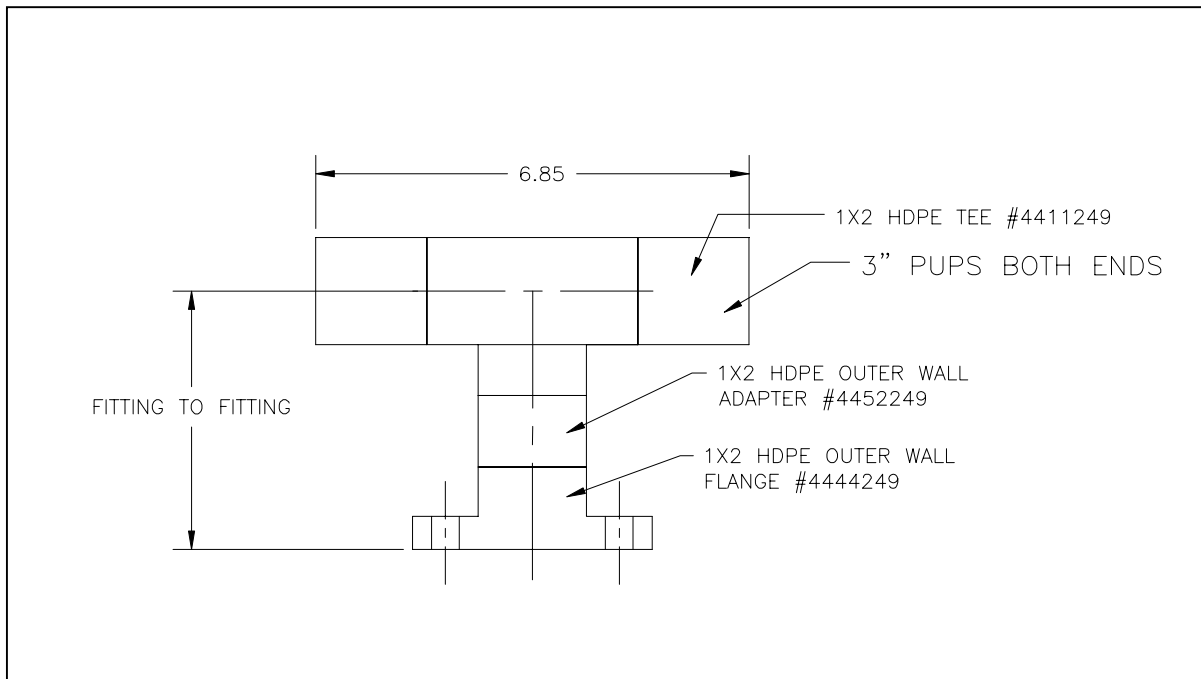
NOM SIZE	A	B	C	D	E	F	PART NO.
(in.)	(in.)	(in.)	(in.)	(in.)	(in.)	(in.)	HDPE
4 X 6	12.00	10.00	4.00	4.250	3.130	4X .625 @ 90°	4492532



ASAHI/AMERICA®

POLY- FLO Piping Systems

OUTER-WALL FLANGED OUTLET



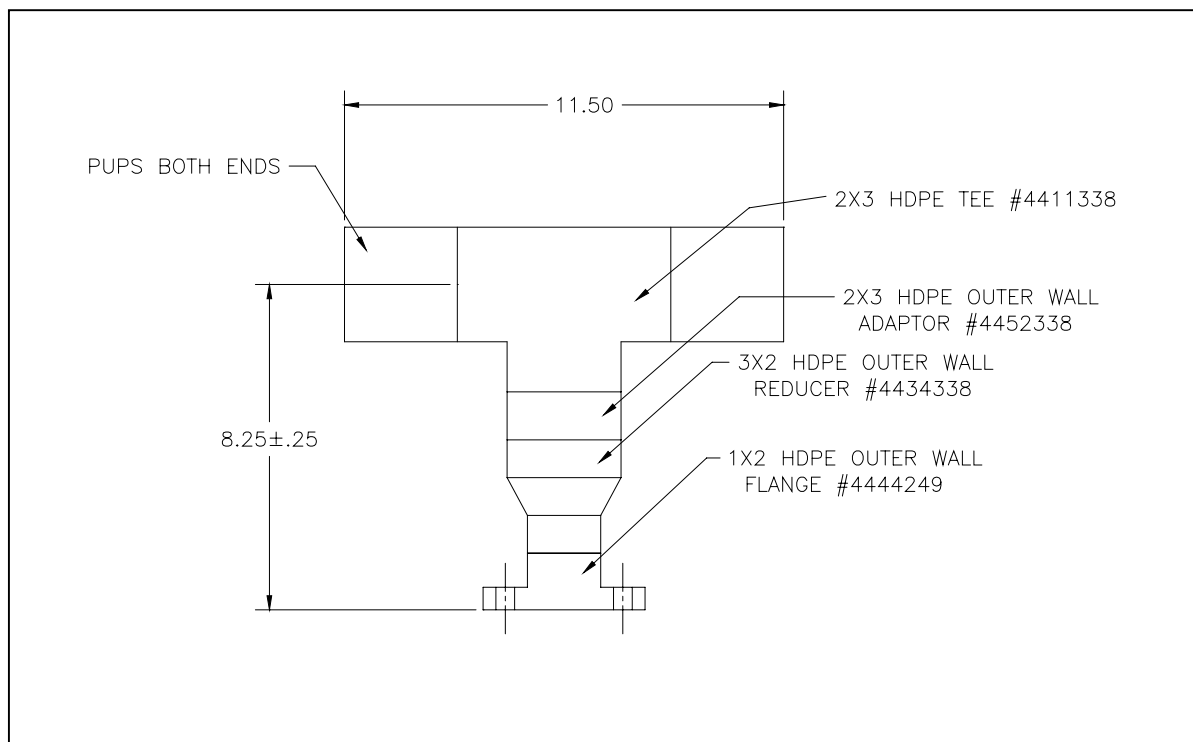
SIZE	PART NUMBER
1X2	4492249



ASAHI/AMERICA®

POLY- FLO Piping Systems

OUTER-WALL FLANGED OUTLET



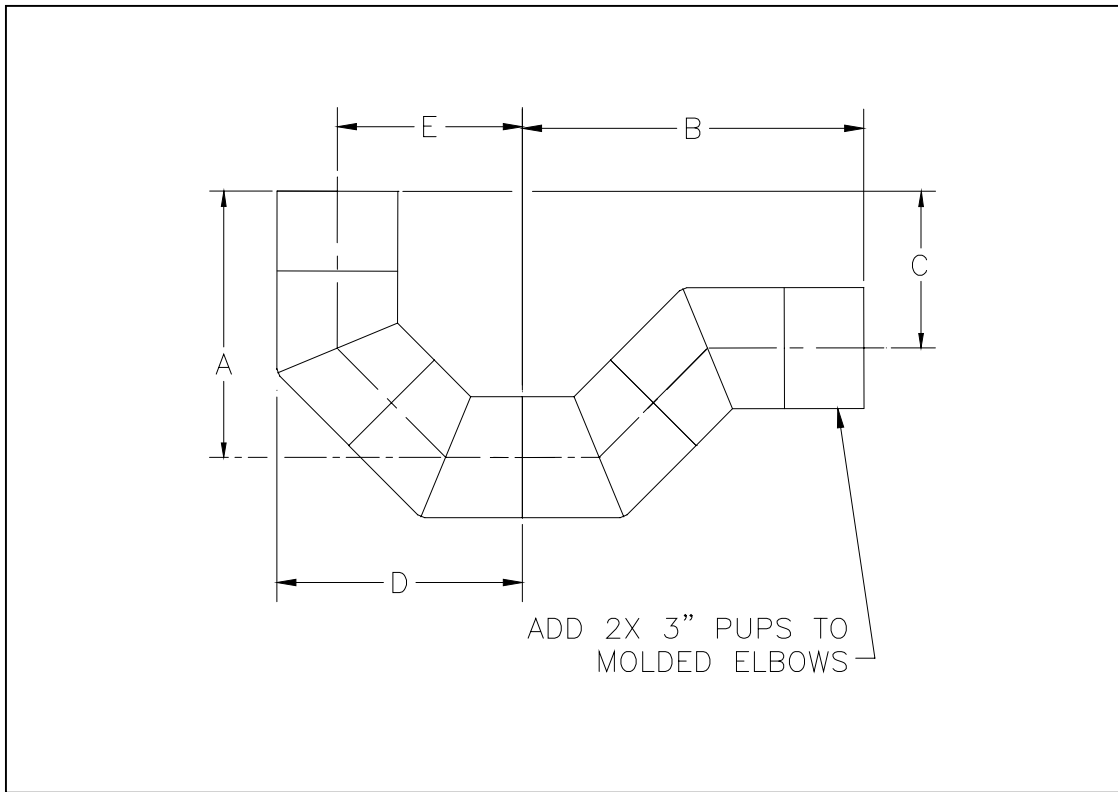
SIZE	PART NUMBER
2X3	4492338



ASAHI/AMERICA®

POLY- FLO Piping Systems

P-TRAP



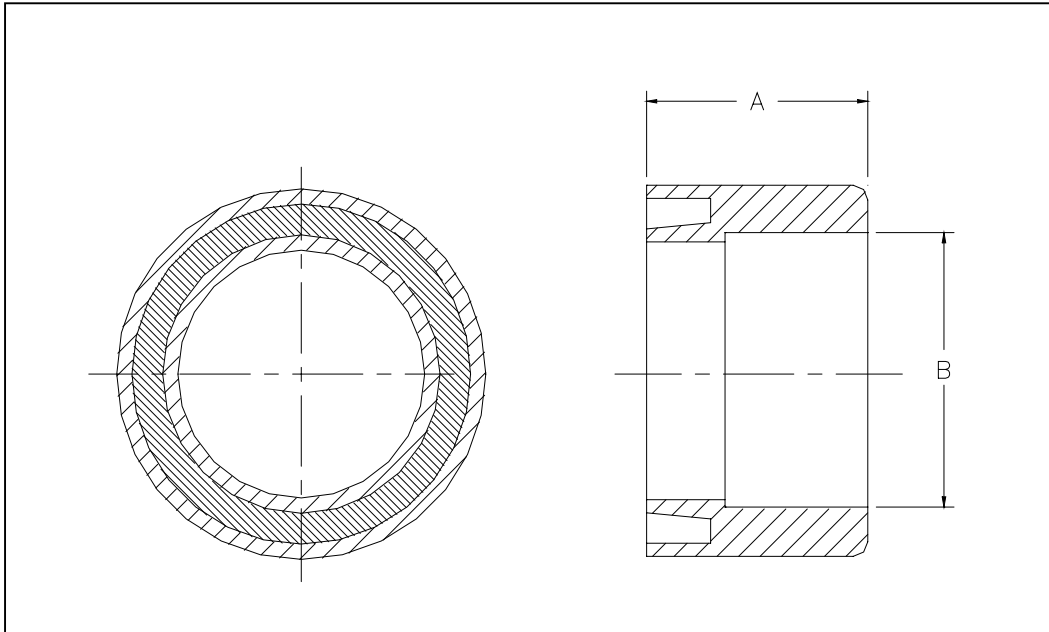
NOM SIZE	A	B	C	D	E	PART NO.
(in.)	(in.)	(in.)	(in.)	(in.)	(in.)	HDPE
1 X 2	6.21	7.64	4.33	4.18	3.21	4464249
2 X 3	7.69	9.63	4.94	6.19	4.67	4464338
* 4 X 6	12.07	17.07	5.00	15.08	12.07	4464532



ASAHI/AMERICA®

POLY- FLO Piping Systems

METRIC SOCKET ADAPTER



NOM SIZE (in.)	A (in.)	B Ø (in.)	PART NO. HDPE
1 X 2	1.78	1.26	4479249
2 X 3	1.82	2.48	4479338
4 X 6	3.19	4.33	4479532

Asahi America Inc. 35 Green St Malden Ma 02148 Office 1-781-321-5409 Fax 1-781-321-4421

Email: asahi@asahi-america.com

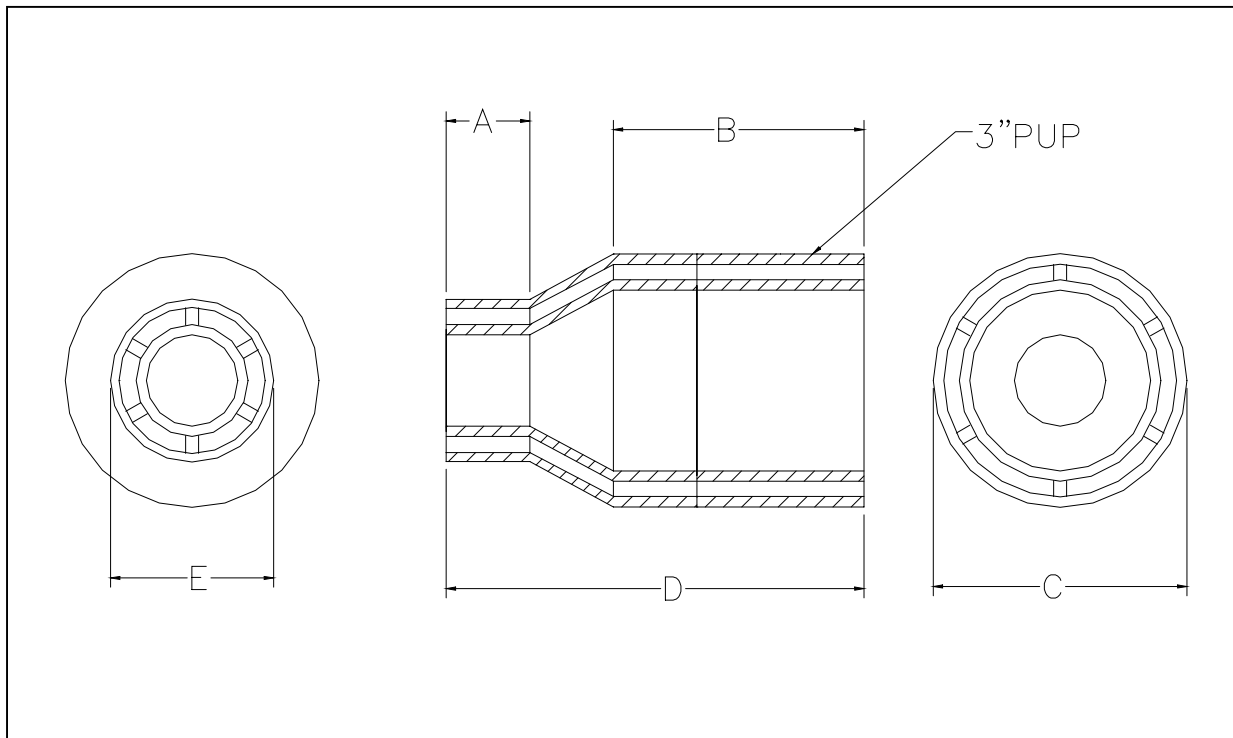
Internet: www.asahi-america.com



ASAHI/AMERICA®

POLY- FLO Piping Systems

CONCENTRIC REDUCER



NOM SIZE	A	B	C	D	E	PART NO.
(in.)	(in.)	(in.)	(in.)	(in.)	(in.)	HDPE
(2x1) (3x2)	1.00	3.00	3.04	5.00	1.95	4435338
(4x2) (6x3)	1.00	3.00	6.08	6.00	3.04	4435532

Asahi America Inc. 35 Green St Malden Ma 02148 Office 1-781-321-5409 Fax 1-781-321-4421

Email: asahi@asahi-america.com

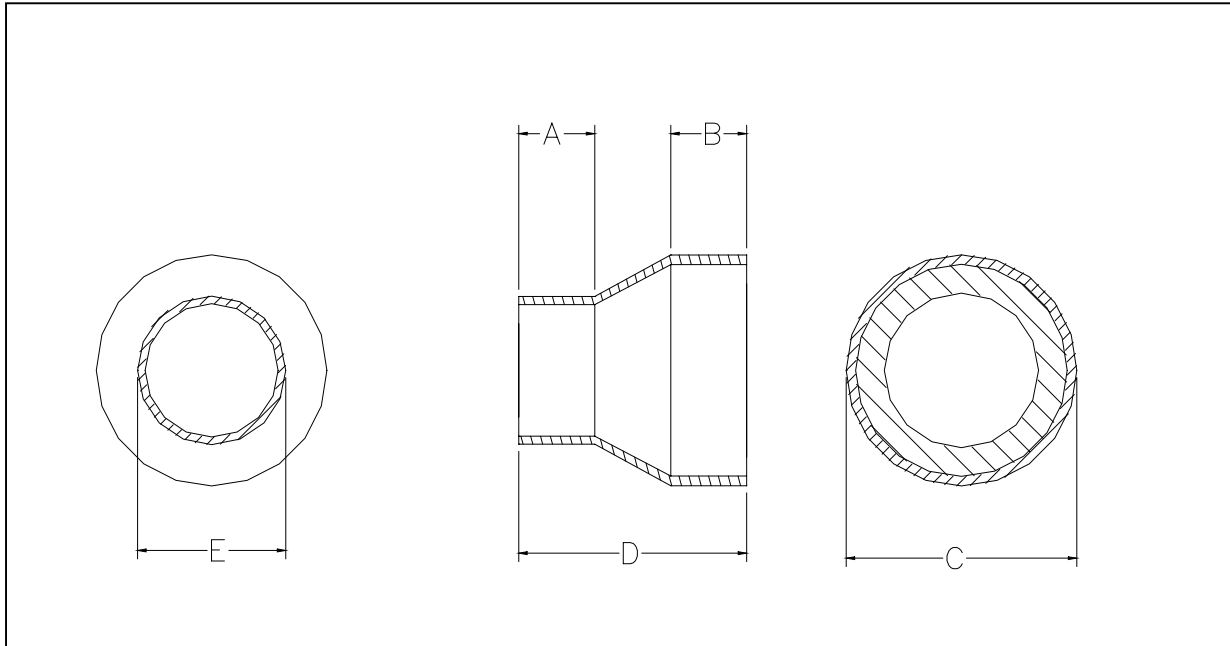
Internet: www.asahi-america.com



ASAHI/AMERICA®

POLY- FLO Piping Systems

OUTER-WALL REDUCER



NOM SIZE	A	B	C	D	E	PART NO.
(in.)	(in.)	(in.)	(in.)	(in.)	(in.)	HDPE
(3 X 2)	1.00	1.00	3.04	3.00	1.95	4434338
(6 X 3)	1.00	1.00	6.08	4.00	3.04	4434532

Asahi America Inc. 35 Green St Malden Ma 02148 Office 1-781-321-5409 Fax 1-781-321-4421

Email: asahi@asahi-america.com

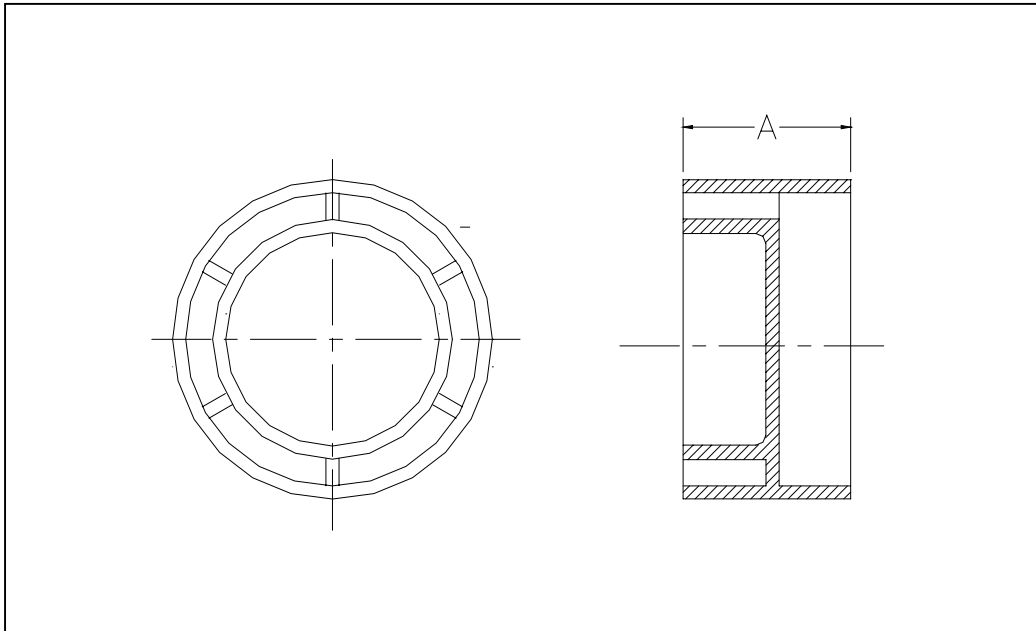
Internet: www.asahi-america.com



ASAHI/AMERICA®

POLY- FLO Piping Systems

OUTER-WALL ADAPTER



N O M S I Z E	A	P A R T N O .
(i n .)	(i n .)	H D P E
1 X 2	1 . 3 0	4 4 5 2 2 4 9
2 X 3	1 . 2 7	4 4 5 2 3 3 8
4 X 6	3 . 1 9	4 4 5 2 5 3 2

Asahi America Inc. 35 Green St Malden Ma 02148 Office 1-781-321-5409 Fax 1-781-321-4421

Email: asahi@asahi-america.com

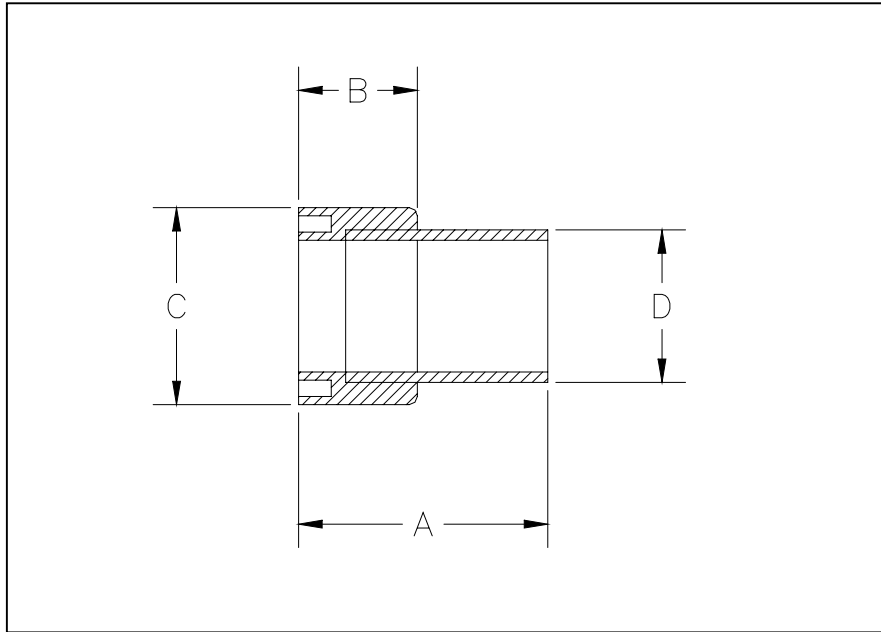
Internet: www.asahi-america.com



ASAHI/AMERICA®

POLY- FLO Piping Systems

IPS SPIGOT ADAPTER



NOM SIZE (in.)	A (in.)	B (in.)	C (in.)	D (in.)	PART NO. HDPE
1 X 2*	3.78	1.78	1.95	1.32	4478249
2 X 3*	3.82	1.82	3.04	2.38	4478338
4 X 6	3.50	2.00	6.08	4.50	4478532

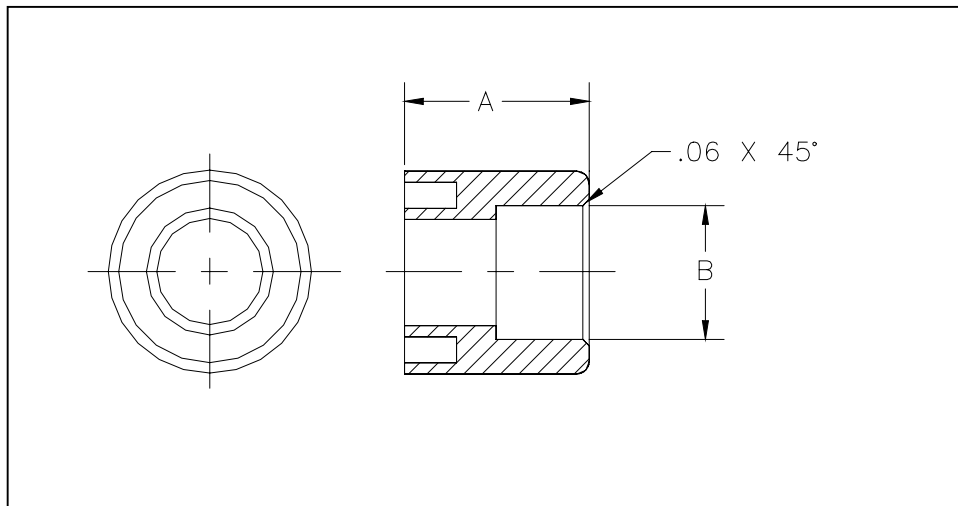
*FABRICATED



ASAHI/AMERICA®

POLY- FLO Piping Systems

IPS SOCKET ADAPTER



NOM SIZE	A	B	PART NO.
(in.)	(in.)	(in.)	HDPE
1 x 2	1.78	1.32	4429249
2 x 3	1.82	2.38	4429338
4 x 6	3.19	4.50	4429532

Asahi America Inc. 35 Green St Malden Ma 02148 Office 1-781-321-5409 Fax 1-781-321-4421

Email: asahi@asahi-america.com

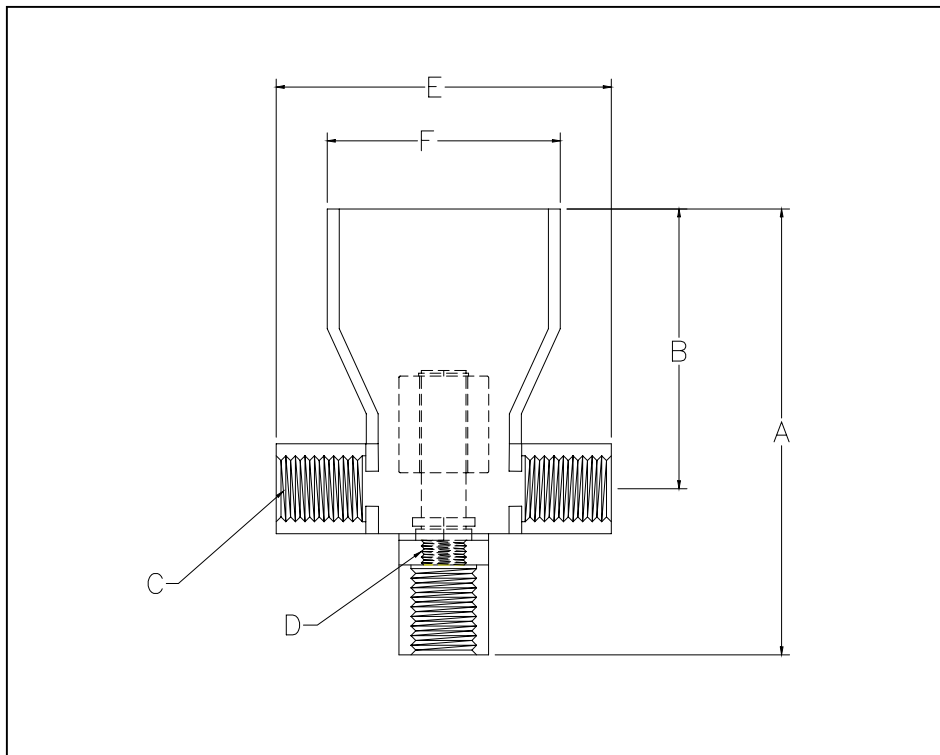
Internet: www.asahi-america.com



ASAHI/AMERICA®

POLY- FLO Piping Systems

FLOAT SWITCH ADAPTER



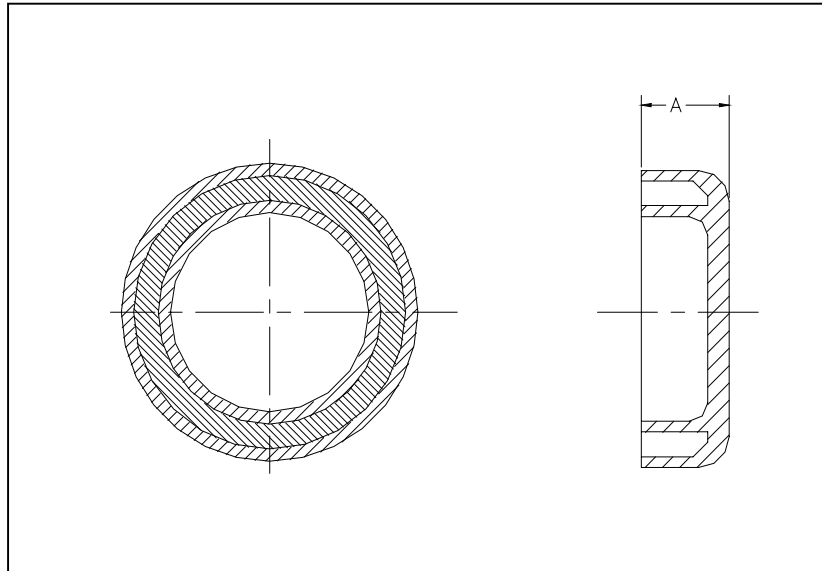
NOM SIZE	A	B	C	D	E	F	PART NO.
(in.)	(in.)	(in.)	(in.)	(in.)	(in.)	(in.)	HDPE
1X2	3.72	2.16	1/2"NPT	1/8"NPT	2.80	1.95	4453249



ASAHI/AMERICA®

POLY- FLO Piping Systems

END/TEST CAP



N O M S I Z E (i n .)	A (i n .)	P A R T N O . H D P E
1 X 2	0 . 9 2	4 4 2 1 2 4 9
2 X 3	0 . 9 0	4 4 2 1 3 3 8
4 X 6	1 . 7 3	4 4 2 1 5 3 2

Asahi America Inc. 35 Green St Malden Ma 02148 Office 1-781-321-5409 Fax 1-781-321-4421

Email: asahi@asahi-america.com

Internet: www.asahi-america.com