



35 Green Street, PO Box 653, Malden, MA 02148 • Tel: 781-321-5409 • Fax: 781-321-4421
Internet: www.asahi-america.com • Email: asahi@asahi-america.com

To: Asahi/America Distributors
From: Asahi/America Sales and Engineering
Date: 9/25/09
Re: Molded Foot Valve Screens

Asahi/America Inc., in an ongoing effort to improve our product line offerings, is proud to introduce the newest addition to the ever-expanding product line, injection molded Foot Valve Screens. Now available in all 4 materials, PVC, CPVC, PP & PVDF, our molded foot valve screens take the place of formerly fabricated foot valve screens. The screens are sold in "kit" form for field installation, and direct mount to new and existing Asahi ball check valves. These screens are ideal for use when a ball check is located in a tank, on the suction side of a pump. The foot valve screen filters out larger debris before it can get caught inside the valve, pump or process line.

Discontinuation:

Fabricated version screens (p/n 3157XXX) will be phased out over the next 2-3 months as existing inventory is depleted. Existing PVC Foot Valve part numbers and pricing will remain the same and feature the new molded screens as old inventory is depleted.

Inventory:

Asahi/America will initially only inventory the screens in PVC. Once we begin to show some usage of other materials, we will inventory those as well on an as needed basis.

Pricing:

In an effort to keep the prices low, we are offering the screens in kit form, eliminating costly factory installation labor.

Features and Benefits:

- Lighter weight
- Lower Profile
- Strong molded screen and union nut
- Simple structure for ease of maintenance
- Mounts to existing and new installation Asahi ball check valves
- No cemented joints or parts.

Technical Data:

- CV values remain unchanged
- Directly replaces existing screens

If you have any questions or concerns, please consult your Asahi/America District Sales Manager, or our Customer Service Department.



◀◀◀ **NEW FROM ASAHI** ▶▶▶



Foot Valve Screens



New Style Screens (Installed)

Specifications

Size Range: 1/2" – 4"

Materials: PVC, CPVC
PP & PVDF

Interchangeability:

Mounts to New and
Existing Ball Check Valves

Features & Benefits

- Lighter Weight
- Lower Profile
- Injection Molded Construction
- Simple structure for easy maintenance
- No fabricated parts
- Sold in 2-piece "kit" form consisting of a union nut & screen



Old Style Screen (Installed)

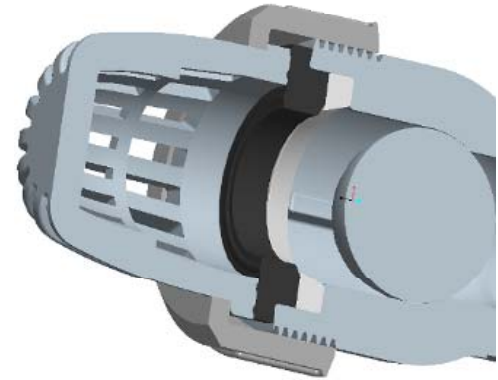
New Products

Part Numbers and List Pricing

All Foot Screen Kits Include Screen and Union Nut



Foot Valve Screen Kits			
Size	PVC Foot Screen Kit	Part Number	List Price
1/2"	PVC	3154005	19.00
3/4"	PVC	3154007	21.00
1"	PVC	3154010	25.00
1-1/2"	PVC	3154015	38.00
2"	PVC	3154020	44.00
3"	PVC	3154030	96.00
4"	PVC	3154040	182.00
Discount Code			A



Foot Valve Screen Kits			
Size	CPVC Foot Screen Kit	Part Number	List Price
1/2"	CPVC	3155005	22.00
3/4"	CPVC	3155007	24.00
1"	CPVC	3155010	31.00
1-1/2"	CPVC	3155015	46.00
2"	CPVC	3155020	58.00
3"	CPVC	3155030	134.00
4"	CPVC	3155040	280.00
Discount Code			A

Foot Valve Screen Kits			
Size	PP Foot Screen Kit	Part Number	List Price
1/2"	PP	3156005	34.00
3/4"	PP	3156007	29.00
1"	PP	3156010	39.00
1-1/2"	PP	3156015	52.00
2"	PP	3156020	62.00
3"	PP	3156030	95.00
4"	PP	3156040	169.00
Discount Code			A

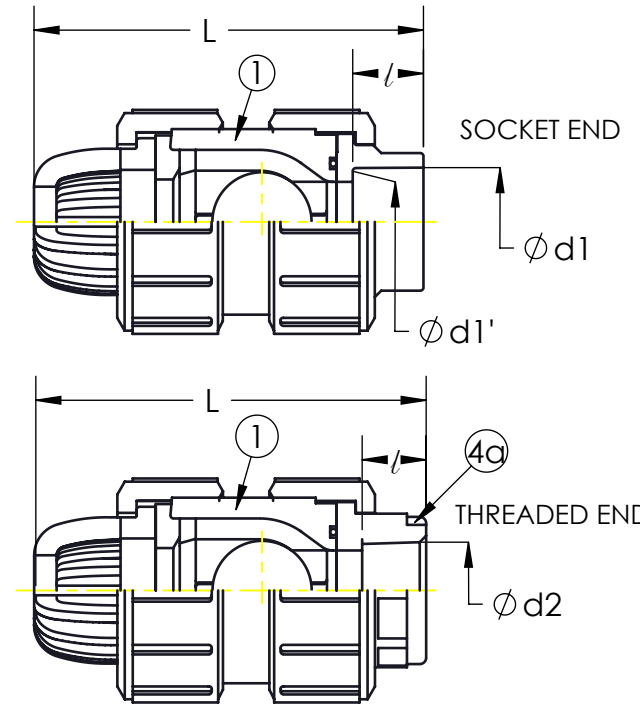
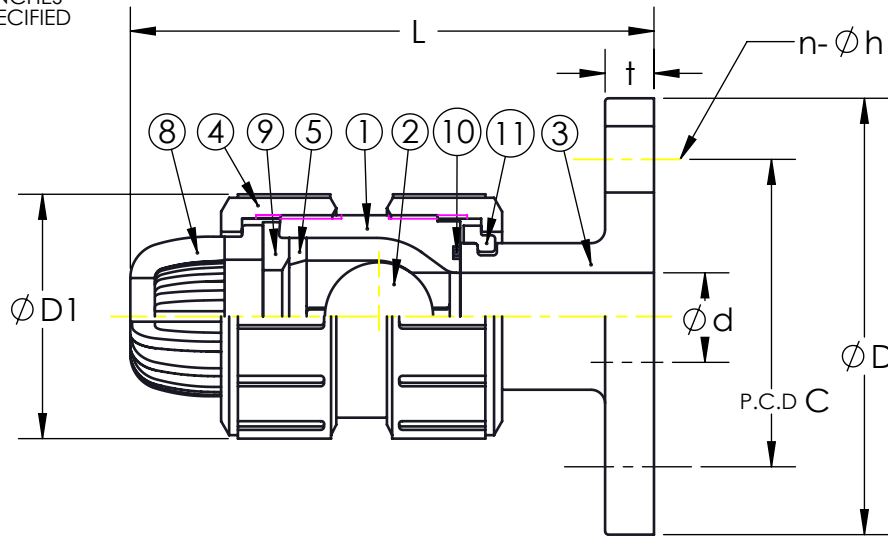


Foot Valve Screen Kits			
Size	PVDF Foot Screen Kit	Part Number	List Price
1/2"	PVDF	3158005	49.00
3/4"	PVDF	3158007	45.00
1"	PVDF	3158010	56.00
1-1/2"	PVDF	3158015	100.00
2"	PVDF	3158020	131.00
3"	PVDF	3158030	308.00
4"	PVDF	3158040	747.00
Discount Code			A

New Products

NOMINAL SIZE		FLANGED END									SOCKET END (IPS)				THREADED END							
		ANSI Class 150			L			PVC, C-PVC				PP, PVDF										
		D	C	n	h	PVC C-PVC	PVDF PP	ASTM SCH40				d2	l	L								
								d1	d1'	l	L			PVC C-PVC	PVDF PP							
1/2	15 _{mm}	.59	1.89	3.50	2.38	4	.62	4.61	4.53	.47	.848	.836	.69	3.74	.831	-	.874	3.58	1/2-14NPT	.59	3.74	3.62
3/4	20 _{mm}	.79	2.36	3.88	2.75	4	.62	5.39	5.31	.55	1.058	1.046	.72	4.25	1.041	-	1.000	4.49	3/4-14NPT	.67	4.33	4.21
1	25 _{mm}	.98	2.76	4.25	3.12	4	.62	5.87	5.79	.55	1.325	1.310	.87	4.80	1.305	-	1.260	4.72	1-(11/2)NPT	.79	4.84	4.72
1-1/2	32 _{mm}	1.57	3.78	5.00	3.88	4	.62	7.99	7.91	.63	1.912	1.894	1.09	7.17	1.889	-	1.374	7.28	(11/2)-(11/2)NPT	.98	7.17	7.05
2	40 _{mm}	2.01	4.17	6.00	4.75	4	.75	8.58	8.50	.63	2.387	2.369	1.16	7.72	2.364	-	1.500	7.80	2-(11/2)NPT	1.10	7.83	7.72

NOTE: ALL UNITS ARE INCHES UNLESS OTHERWISE SPECIFIED



4a	RING (1)	1	SS (SUS304)	1) Used for C-PVC body threaded end: 15-25mm 2) Used for flanged end
11	STOP-RING (B)	1	PVDF	
10	O-RING	1	<input type="checkbox"/> EPDM <input type="checkbox"/> FKM <input type="checkbox"/> OTHER	
9	SEAT	1		
8	SCREEN	1		
7	FLANGE	1		
6	STUB (2)	1		
5	STOP RING (A)	1		
4	UNION NUT	2		
3	END CONNECTOR	1		
2	BALL	1		
1	BODY	1		
No.	DESC.	QTY.	MATERIAL	REMARKS

UNLESS OTHERWISE SPECIFIED

DIMENSIONS ARE IN INCHES

MACHINING	2 PL DECIMALS	± .01
TOLERANCES:	3 PL DECIMALS	± .005
	ANGULAR	± 1/2°
	FRACTIONAL	± 1/64
FABRICATION	1/2" - 8"	± 1/4
TOLERANCES:	10" AND UP	± 1/2
	ANGULAR	± 1.0°

MATERIAL: PVDF - PVC-CPVC-PP

FINISH: N/A

THIS DRAWING AND ALL INFORMATION HEREON IS THE PROPERTY OF ASAHI/AMERICA. ANY COPYING, REPRODUCTION OR UNAUTHORIZED USE IS FORBIDDEN WITHOUT WRITTEN CONSENT.

	NAME	DATE
DR	Conrad Williams	8/31/09
APPD		
PROD		

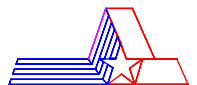
PRODUCT: AOC VALVES

WO#/CO#

ASAHI/AMERICA

ISO 9001 CERTIFIED

35 GREEN STREET, P.O. BOX 653, MALDEN, MA.



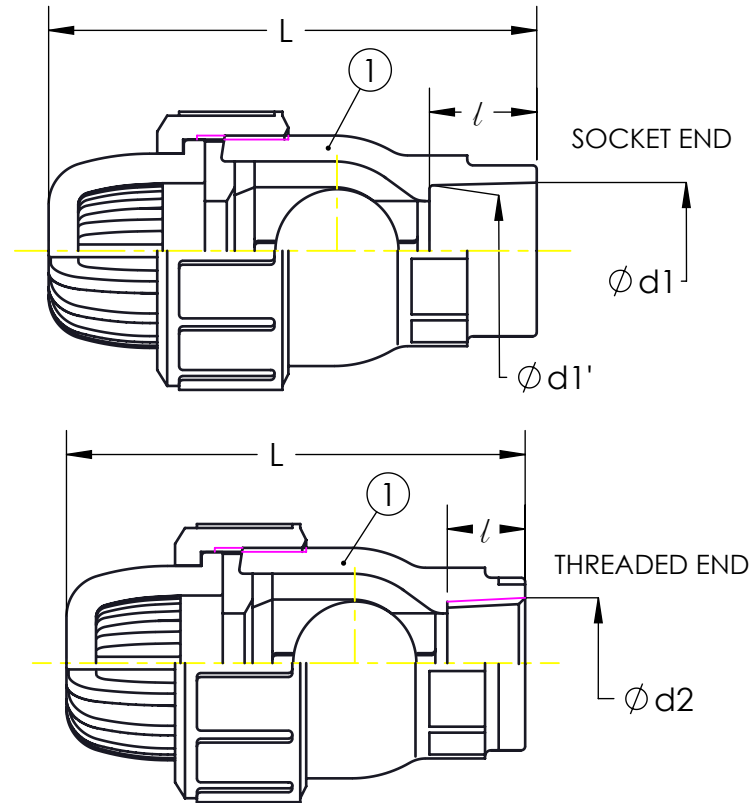
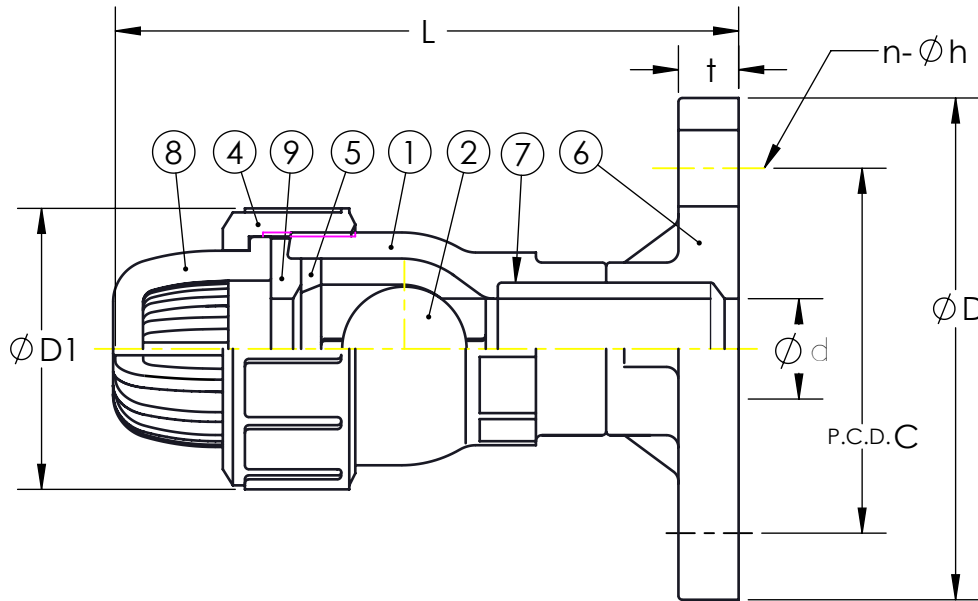
1/2" - 2" TRU UNION BALL FOOT VALVE

SIZE	AWG. NO.	REV
A	0037CH-A	A

SCALE	SHEET	OF
1:1	1	1

NOMINAL SIZE		d	D1	FLANGED END							SOCKET END				THREADED END			
				D	C	n	h	L		t	d1	d1'	l	L	d2	l	L	
								PVC C-PVC	PVDF PP								PVC C-PVC	PVDF PP
3	80mm	3.07	5.98	7.50	6.00	4	0.75	16.10	13.23	0.87	3.516	3.492	1.87	12.09	3-8NPT	1.38	11.57	11.34
4	100mm	3.94	8.27	9.00	7.50	8	0.75	20.41	16.34	0.87	4.516	4.491	2.00	14.96	4-8NPT	1.77	14.72	14.41

NOTE: ALL UNITS ARE INCHES
UNLESS OTHERWISE SPECIFIED



4a	RING '1	1	SS (SUS304)	1) Used for C-PVC body/threaded end: 15-25mm
9	SEAT	1	<input type="checkbox"/> EPDM <input type="checkbox"/> FKM <input type="checkbox"/> OTHER	
8	SCREEN	1	SOCKET <input type="checkbox"/> PVC <input type="checkbox"/> C-PVC FLANGED THREADED <input type="checkbox"/> PVC <input type="checkbox"/> C-PVC <input type="checkbox"/> PP <input type="checkbox"/> PVDF	2) Used for flanged end
7	FLANGE	1		
6	STUB (2)	1		
5	STOP RING (A)	1		
4	UNION NUT	1		
3	END CONNECTOR	1		
2	BALL	1		
1	BODY	1		
No.	DESC.	QTY.		

UNLESS OTHERWISE SPECIFIED

DIMENSIONS ARE IN INCHES

MACHINING	2 PL DECIMALS	± .01
TOLERANCES:	3 PL DECIMALS	± .005
	ANGULAR	± 1/2°
	FRACTIONAL	± 1/64
FABRICATION	1/2" - 8"	± 1/4
TOLERANCES:	10" AND UP	± 1/2
	ANGULAR	± 1.0°

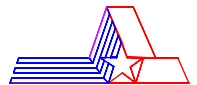
MATERIAL: PVDF - PVC-CPVC-PP

FINISH: N/A

THIS DRAWING AND ALL INFORMATION
HEREON IS THE PROPERTY OF
ASAHI/AMERICA. ANY COPYING,
REPRODUCTION OR UNAUTHORIZED USE
IS FORBIDDEN WITHOUT WRITTEN
CONSENT.

	NAME	DATE
DR	Conrad Williams	8/31/09
APPD		
PROD		
PRODUCT: AOC VALVES		
WO#/CO#		

ASAHI/AMERICA
ISO 9001 CERTIFIED
35 GREEN STREET, P.O. BOX 653, MALDEN, MA.



3" & 4" BALL FOOT VALVE

SIZE	A	DWG. NO.	0036CH-A	REV	A
SCALE	1:1		SHEET 1 OF 1		