



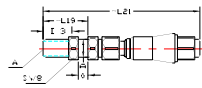
# EM TECHNIK Series 3K Quick Disconnects

---



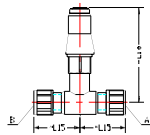
Quick Disconnect with 1A Flexible Tube Connection		PG. 1	Quick Disconnect Bulkhead with 1A Flexible Tube Connection		PG. 5
Quick Disconnect Nipple with 1A Flexible Tube Connection		1	Quick Disconnect Bulkhead with Female Thread		6
Quick Disconnect with Male Thread		2	Quick Disconnect Compact Style with 1A Flexible Tube Connection		7
Quick Disconnect Nipple with Male Thread		2	Quick Disconnect Nipple Compact Style with 1A Flexible Tube Connection		7
Quick Disconnect with Female Thread		3	Quick Disconnect Compact Style with Male Thread		8
Quick Disconnect Nipple with Female Thread		3	Quick Disconnect Nipple Compact Style with Male Thread		8
Quick Disconnect Tee with 1A Flexible Tube Connection		4	Quick Disconnect Compact Style with Female Thread		9
Quick Disconnect Tee Nipple with 1A Flexible Tube Connection		4	Quick Disconnect Nipple Compact Style with Female Thread		9

Quick Disconnect  
 Bulkhead Compact  
 Style with Female  
 Thread



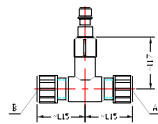
PG.  
 10

Quick Disconnect Tee  
 Compact Style with  
 1A Flexible Tube  
 Connection



11

Quick Disconnect Tee  
 Nipple Compact Style  
 with 1A Flexible Tube  
 Connection

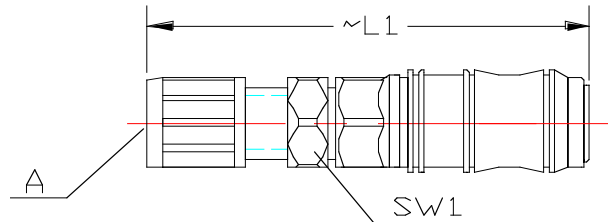


12

**PVDF Quick Disconnect with 1A Flexible Tube connection**

3K0100.10: Stainless Steel Spring

3K0300.10: PEEK Spring



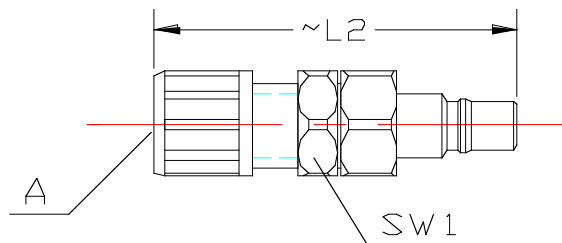
Size A	L1 mm	L1 inches	SW1 mm	SW1 inches
4/6	38	1.50	22	0.866
5/8	42	1.65	22	0.866
6/8	42	1.65	22	0.866
6/10	45	1.77	22	0.866
8/10	45	1.77	22	0.866
8/12	47	1.85	22	0.866
9/12	47	1.85	22	0.866
10/12	47	1.85	22	0.866

Requires a nipple  
 Also available with Flare End

**PVDF Quick Disconnect Nipple with 1A Flexible Tube Connection**

3K0200.10: Stainless Steel Spring

3K0400.10: PEEK Spring

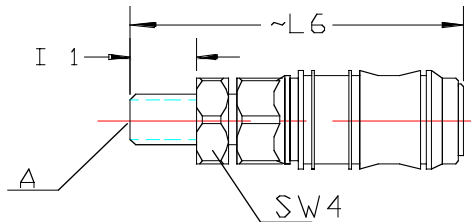


Size A	L2 mm	L2 inches	SW1 mm	SW1 inches
4/6	38	1.50	22	0.866
5/8	42	1.65	22	0.866
6/8	42	1.65	22	0.866
6/10	45	1.77	22	0.866
8/10	45	1.77	22	0.866
8/12	47	1.85	22	0.866
9/12	47	1.85	22	0.866
10/12	47	1.85	22	0.866

Also available with Flare End

### PVDF Quick Disconnect with male thread

- 3K0100.31: Stainless Steel Spring, G thread
- 3K0300.31: PEEK Spring, G thread
- 3K0100.32: Stainless Steel Spring, NPT thread
- 3K0300.32: PEEK Spring, NPT thread

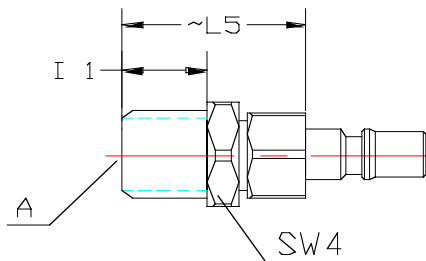


Size A	L6 mm	L6 inches	I1 mm	I1 inches	SW4 mm	SW4 inches
1/4" G thd	71	2.80	12	.47	22	0.866
1/2" G thd	73	2.87	14	.55	27	1.063
1/4" NPT	73	2.87	15	.59	22	0.866
1/2" NPT	78	3.08	20	.787	27	1.063

Requires a nipple

### PVDF Quick Disconnect Nipple with male thread

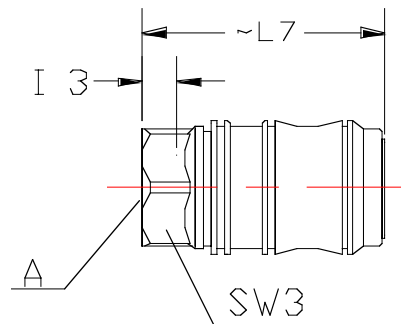
- 3K0200.31: Stainless Steel Spring, G thread
- 3K0400.31: PEEK Spring, G thread
- 3K0200.32: Stainless Steel Spring, NPT thread
- 3K0400.32: PEEK Spring, NPT thread



Size A	L5 mm	L5 inches	I1 mm	I1 inches	SW4 mm	SW4 inches
1/4" G thd	33	1.30	12	.47	22	0.866
1/2" G thd	35	1.38	14	.55	27	1.063
1/4" NPT	35	1.38	15	.59	22	0.866
1/2" NPT	40	1.58	20	.787	27	1.063

**PVDF Quick Disconnect with female thread**

- 3K0100.41: Stainless Steel Spring, G thread
- 3K0300.41: PEEK Spring, G thread
- 3K0100.42: Stainless Steel Spring, NPT thread
- 3K0300.42: PEEK Spring, NPT thread

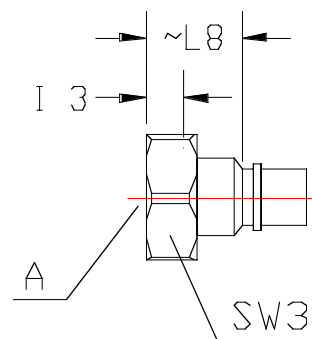


Size A	L7 mm	L7 inches	I3 mm	I3 inches	SW3 mm	SW3 inches
1/4" G thd	70	2.76	15	.59	22	0.866
1/2" G thd	73	2.87	16	.63	27	1.063
1/4" NPT	74	2.91	16.4	.65	22	0.866
1/2" NPT	81	3.19	22.6	.89	27	1.063

Requires a nipple

**PVDF Quick Disconnect Nipple with female thread**

- 3K0200.41: Stainless Steel Spring, G thread
- 3K0400.41: PEEK Spring, G thread
- 3K0200.42: Stainless Steel Spring, NPT thread
- 3K0400.42: PEEK Spring, NPT thread

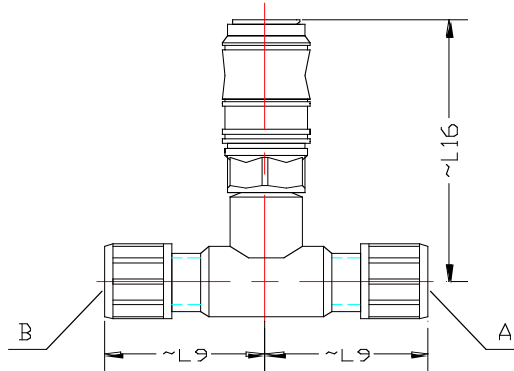


Size A	L8 mm	L8 inches	I3 mm	I3 inches	SW3 mm	SW3 inches
1/4" G thd	32	1.26	15	.59	22	0.866
1/2" G thd	35	1.38	16	.63	27	1.063
1/4" NPT	36	1.38	16.4	.65	22	0.866
1/2" NPT	43	1.70	22.6	.89	27	1.063

**PVDF Quick Disconnect Tee with 1A Flexible Tube Connection**

3K0100.13: Stainless Steel Spring

3K0300.13: PEEK Spring



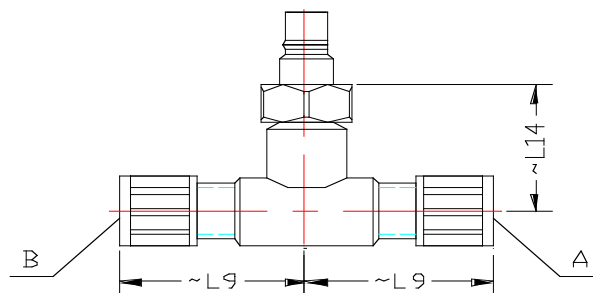
Size A	Size B	L9 mm(in)	L16 mm(in)
4/6	4/6	28(1.10)	65(2.56)
5/8	5/8	32(1.26)	65(2.56)
6/8	6/8	32(1.26)	65(2.56)
6/10	6/10	34(1.34)	68(2.68)
8/10	8/10	34(1.34)	68(2.68)
8/12	8/12	36(1.42)	70(2.76)
9/12	9/12	36(1.42)	70(2.76)
10/12	10/12	36(1.42)	70(2.76)

Requires a nipple

**PVDF Quick Disconnect Tee Nipple with 1A Flexible Tube Connection**

3K0200.13: Stainless Steel Spring

3K0400.13: PEEK Spring

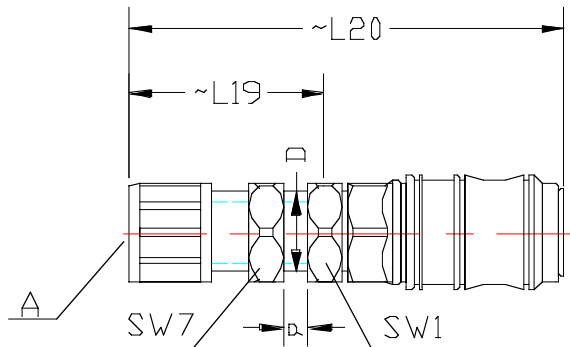


Size A	Size B	L9 mm(in)	L14 mm(in)
4/6	4/6	28(1.10)	27(1.06)
5/8	5/8	32(1.26)	27(1.06)
6/8	6/8	32(1.26)	27(1.06)
6/10	6/10	34(1.34)	30(1.18)
8/10	8/10	34(1.34)	30(1.18)
8/12	8/12	36(1.42)	32(1.25)
9/12	9/12	36(1.42)	32(1.25)
10/12	10/12	36(1.42)	32(1.25)

## PVDF Quick Disconnect Bulkhead with 1A Flexible Tube Connection

3K0101.10: Stainless Steel Spring

3K0301.10: PEEK Spring



Size A	L19 mm(in)	L20 mm(in)	D mm(in)	a mm(in)	SW1 mm(in)	SW7 mm(in)
4/6	31(1.22)	90(3.54)	10.5(.41)	9(.354)	22(0.866)	14(0.551)
5/8	36(1.42)	95(3.74)	14.5(.57)	9(.354)	22(0.866)	19(0.748)
6/8	36(1.42)	95(3.74)	14.5(.57)	9(.354)	22(0.866)	19(0.748)
6/10	41(1.61)	100(3.93)	16.5(.65)	10(.393)	22(0.866)	22(0.866)
8/10	41(1.61)	100(3.93)	16.5(.65)	10(.393)	22(0.866)	22(0.866)
8/12	48(1.88)	107(4.21)	18.5(.73)	12(.472)	22(0.866)	24(0.945)
9/12	48(1.88)	107(4.21)	18.5(.73)	12(.472)	22(0.866)	24(0.945)
10/12	48(1.88)	107(4.21)	18.5(.73)	12(.472)	22(0.866)	24(0.945)

Requires a nipple

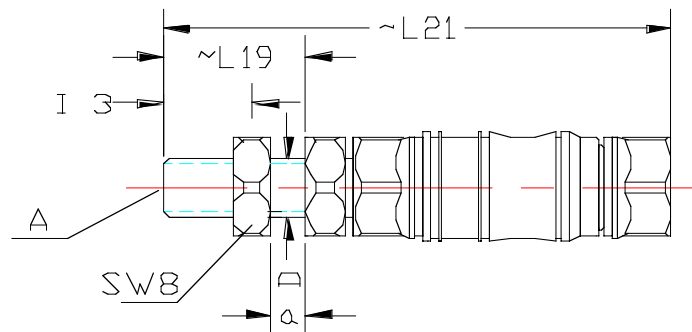
## PVDF Quick Disconnect Bulkhead with Female thread

3K0101.41: Stainless Steel Spring, G thread

3K0301.41: Peek Spring, G thread

3K0101.42: Stainless Steel Spring, NPT thread

3K0301.42: Peek Spring, NPT thread

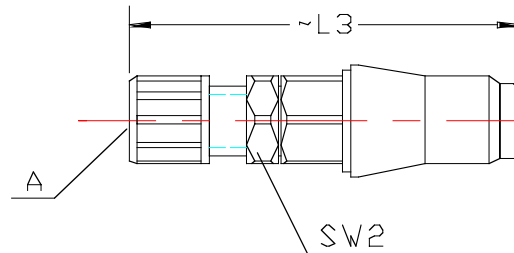


Size A	L21 mm(in)	L19 mm(in)	I3 mm(in)	D mm(in)	a mm(in)	SW8 mm(in)
1/4" G thd	75(2.95)	27(1.06)	15(.59)	21.5(.85)	9(.354)	27(1.063)
1/2" G thd	CF	30(1.18)	16(.63)	27(1.06)	9(.354)	32(1.26)
1/4" NPT	75(2.95)	27(1.06)	16.4(.65)	21.5(.85)	9(.354)	27(1.063)
1/2" NPT	CF	30(1.18)	22.6(.89)	27(1.06)	9(.354)	32(1.26)

Requires a nipple

### PVDF Quick Disconnect Compact Style with 1A Flex Tube Connection

3K1100.10: Stainless Steel Spring

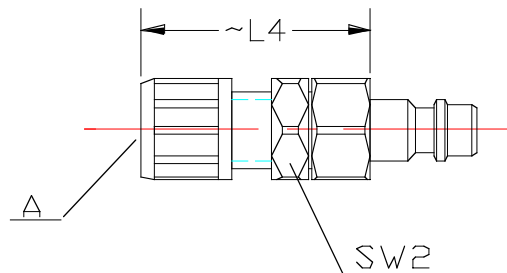


Size A	L3 mm	L3 inches	SW2 mm	SW2 inches
4/6	62	2.44	17	0.67
5/8	66	2.60	17	0.67
6/8	66	2.60	17	0.67
6/10	71	2.80	22	0.866
8/10	71	2.80	22	0.866

Requires a compact nipple

### PVDF Quick Disconnect Nipple Compact Style with 1A Flex Tube Connection

3K1200.10: Stainless Steel Spring

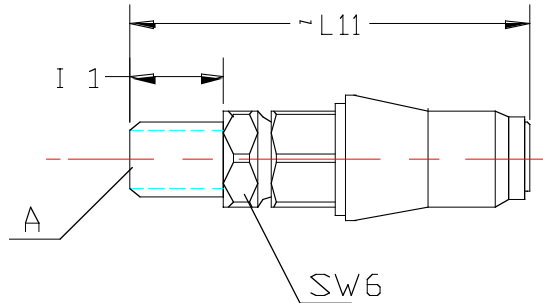


Size A	L4 mm	L4 inches	SW2 mm	SW2 inches
4/6	34	1.34	17	0.67
5/8	38	1.50	17	0.67
6/8	38	1.50	17	0.67
6/10	43	1.70	22	0.866
8/10	43	1.70	22	0.866

**PVDF Quick Disconnect Compact Style with Male Thread**

3K1100.31: Stainless Steel Spring, G thread

3K1100.32: Stainless Steel Spring, NPT thread



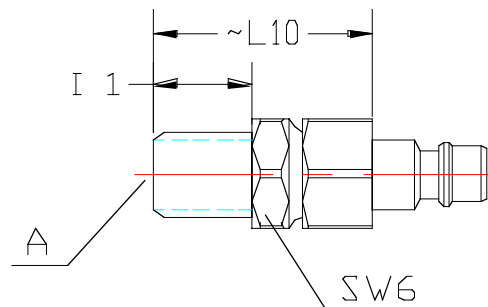
Size A	L11 mm(in)	I1 mm(in)	SW6 mm(in)
1/4" G thd	59(2.32)	12(4.72)	17(0.67)
1/4" NPT	62(2.44)	15(.59)	17(0.67)

Requires a compact nipple

**PVDF Quick Disconnect Nipple Compact Style with Male Thread**

3K1200.31: Stainless Steel Spring, G thread

3K1200.32: Stainless Steel Spring, NPT thread

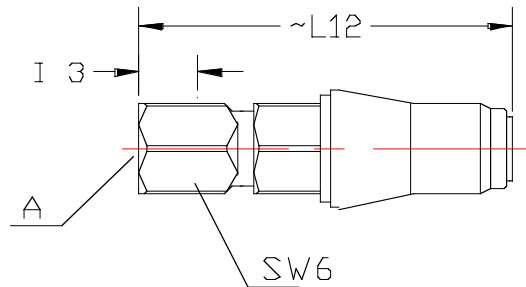


Size A	L10 mm(in)	I1 mm(in)	SW6 mm(in)
1/4" G thd	31(1.22)	12(4.72)	17(0.67)
1/4" NPT	32(1.26)	15(.59)	17(0.67)

**PVDF Quick Disconnect Compact Style with Female Thread**

3K1100.41: Stainless Steel Spring, G thread

3K1100.42: Stainless Steel Spring, NPT thread



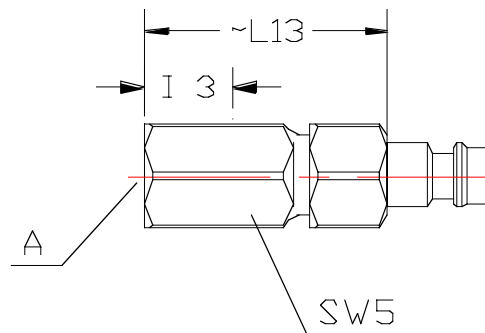
Size A	L12 mm(in)	I3 mm(in)	SW6 mm(in)
1/4" G thd	59(2.32)	15(.59)	17(0.67)
1/4" NPT	62(2.44)	16.4(.65)	17(0.67)

Requires a compact nipple

**PVDF Quick Disconnect Nipple Compact Style with Female Thread**

3K1200.41: Stainless Steel Spring, G thread

3K1200.42: Stainless Steel Spring, NPT thread

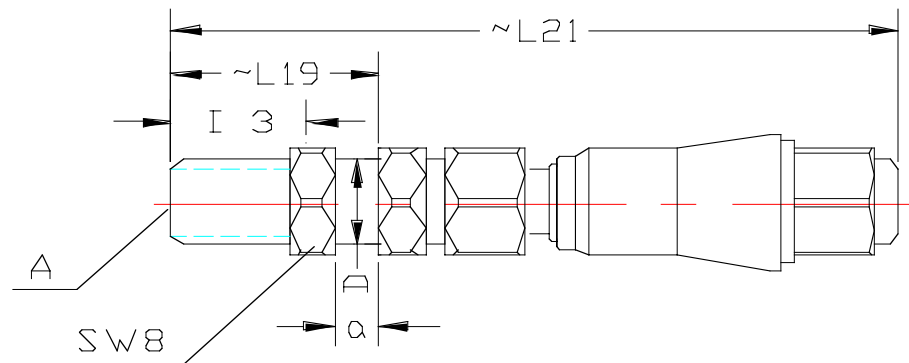


Size A	L13 mm(in)	I3 mm(in)	SW5 mm(in)
1/4" G thd	31(1.22)	15(.59)	17(0.67)
1/4" NPT	34(1.34)	16.4(.65)	17(0.67)

## PVDF Quick Disconnect Bulkhead Compact Style with Female Thread

3K1101.41: Stainless Steel Spring, G thread

3K1101.42: Stainless Steel Spring, NPT thread

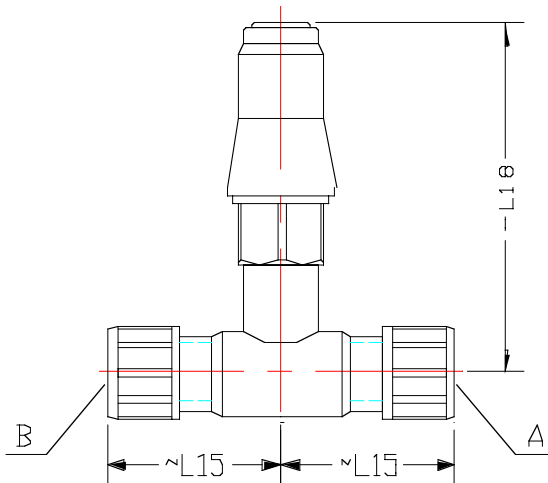


Size A	L21 mm(in)	L19 mm(in)	I3 mm(in)	D mm(in)	a mm(in)	SW8 mm(in)
1/4" G thd	75(2.95)	27(1.06)	15(.590)	21.5(.846)	9(.354)	27(1.063)
1/4" NPT thd	75(2.95)	27(1.06)	16.4(.646)	21.5(.846)	9(.354)	27(1.063)

Requires a compact nipple

## PVDF Quick Disconnect Tee Compact Style with 1A Flexible Tube Connection

3K1100.13: Stainless Steel Spring, G thread

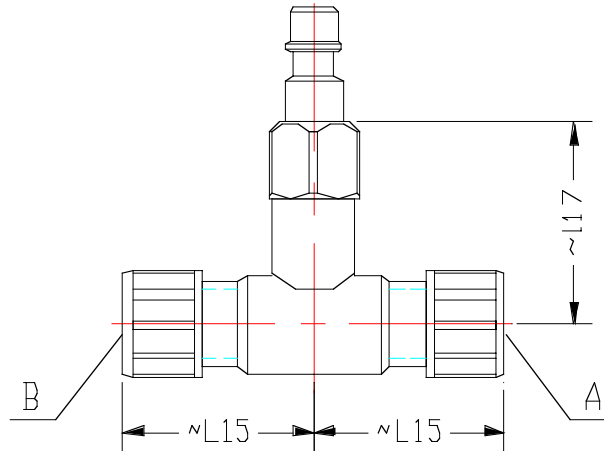


Size A	Size B	L15 mm(in)	L18 mm(in)
4/6	4/6	29(1.14)	54(2.12)
5/8	5/8	33(1.30)	54(2.12)
6/8	6/8	33(1.30)	54(2.12)
6/10	6/10	36(1.42)	57(2.24)
8/10	8/10	36(1.42)	57(2.24)

Requires a compact nipple

## PVDF Quick Disconnect Tee Nipple Compact Style with 1A Flexible Tube Connection

3K1200.13: Stainless Steel Spring, G thread



Size A	Size B	L15 mm(in)	L17 mm(in)
4/6	4/6	29(1.14)	26(1.02)
5/8	5/8	33(1.30)	26(1.02)
6/8	6/8	33(1.30)	26(1.02)
6/10	6/10	36(1.42)	29(1.14)
8/10	8/10	36(1.42)	29(1.14)