



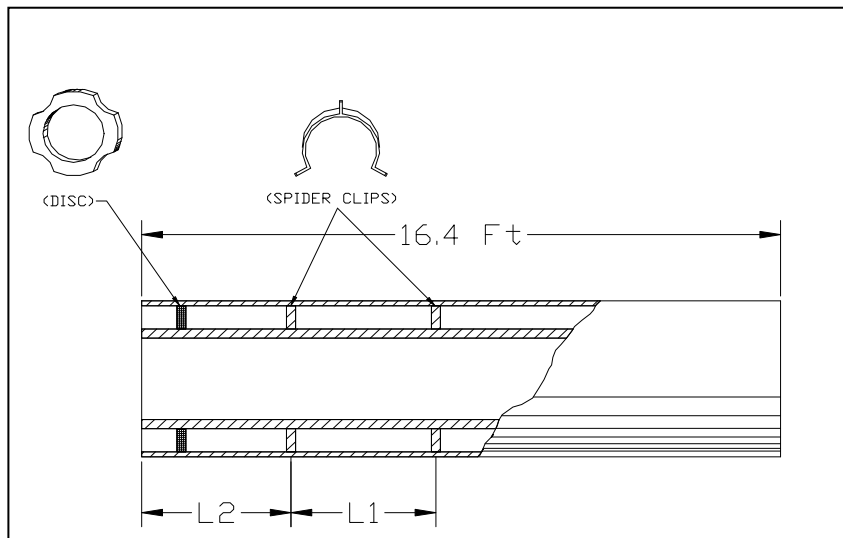
ASAHI/AMERICA®

Duo-Pro Double Contained Piping Systems

PRO 45x45

Simultaneous Pipe

Part Number 5388+(size code)



SIZE (Size Code)	L1 (ft.)	L2 (ft.)	# Spider Clips
2 x 4 (420)	3.50	3.0	4
3 x 6 (531)	5.25	3.0	3
4 x 8 (583)	5.25	3.0	3
6 x 10 (627)	5.25	3.0	3
8 x 12 (660)	5.25	3.0	3
10 x 14 (702)	5.25	3.0	3
12 x 16 (690)	7.5	3.5	2
14 x 18 (710)	7.5	3.5	2
16 x 20 (726)	7.5	3.5	2



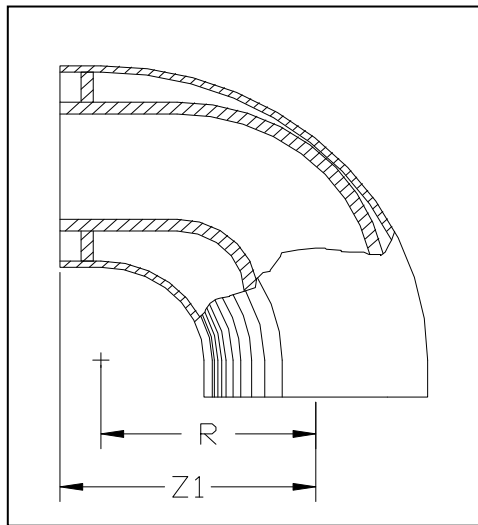
ASAHI/AMERICA®

Duo-Pro Double Contained Piping Systems

PRO 45x45

90° ELBOW

Part Number 5372+(size code)



SIZE (Size Code)	Z1 (in.)	R (in.)
2 x 4 (420)	4.72	4.33
3 x 6 (531)	6.69	6.10
4 x 8 (583)	8.66	7.76
6 x 10 (627)	11.41	10.43
8 x 12 (660)	13.38	11.81
10 x 14 (702)	13.40	11.80
12 x 16 (690)	13.80	11.80
14 x 18 (710)	17.71	15.80
16 x 20 (726)	17.71	15.80



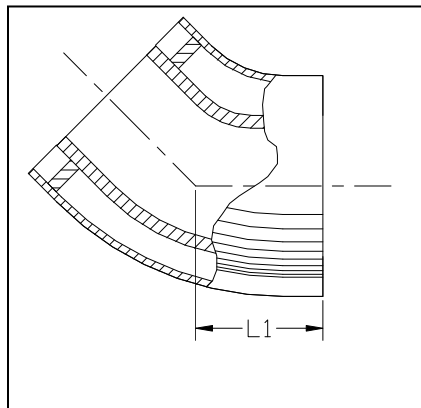
ASAHI/AMERICA®

Duo-Pro Double Contained Piping Systems

Pro45x45

45° ELBOW

Part Number 5370+(size code)



SIZE (Size Code)	L1 (in.)
2 x 4 (420)	5.00
3 x 6 (531)	6.00
4 x 8 (583)	6.00
6 x 10 (627)	6.00
8 x 12 (660)	6.5
10 x 14 (702)	8.25
12 x 16 (690)	9.50
14 x 18 (710)	12.00
16 x 20 (726)	14.00



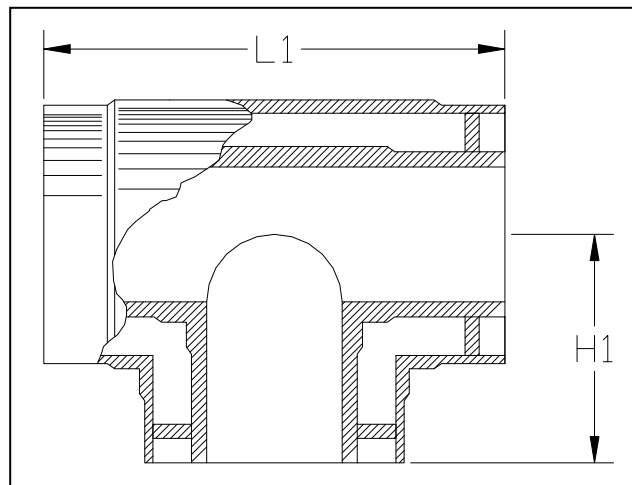
ASAHI/AMERICA®

Duo-Pro Double Contained Piping Systems

Pro45x45

45° TEE

Part Number 5374+(size code)



SIZE (Size Code)	L1 (in.)	H1 (in.)
2 x 4 (420)	8.46	4.29
3 x 6 (531)	10.94	5.51
4 x 8 (583)	13.39	6.69
6 x 10 (627)	17.24	8.66
8 x 12 (660)	21.06	10.63
10 x 14 (702)	26.93	13.46
12 x 16 (690)	27.36	13.78
14 x 18 (710)	35.43	17.72
16 x 20 (726)	35.43	17.72



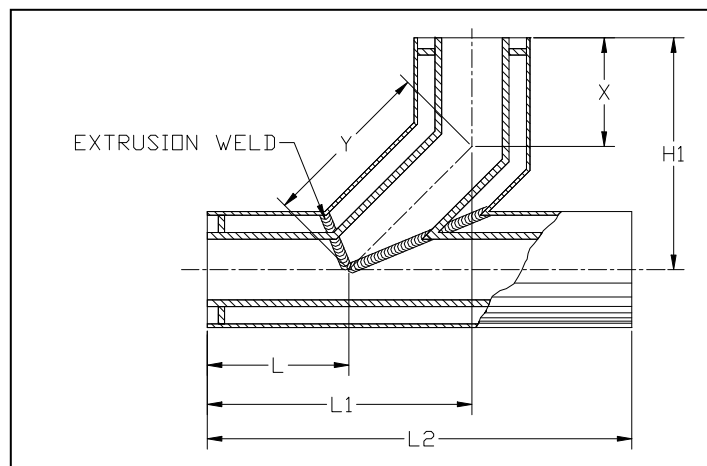
ASAHI/AMERICA®

Duo-Pro Double Contained Piping Systems

Pro45x45

45° Sanitary Tee

Part Number 5382+(size code)



SIZE (Size Code)	L (in.)	L1 (in.)	L2 (in.)	H1 (in.)	X (in.)	Y (in.)
2 x 4 (420)	6	12	18	10	4	8.49
3 x 6 (531)	8	16	24	13	5	11.31
4 x 8 (583)	10	20	30	16	6	14.14
6 x 10 (627)	12	24	36	18.5	6.5	16.97
8 x 12 (660)	14	28	42	21.75	7.75	19.80
10 x 14 (702)	16	32	48	24.25	8.25	22.63
12 x 16 (690)	18	36	54	28	10	25.46
14 x 18 (710)	20	40	60	31.25	11.25	28.28
16 x 20 (726)	22	44	66	34.75	13.00	31.11



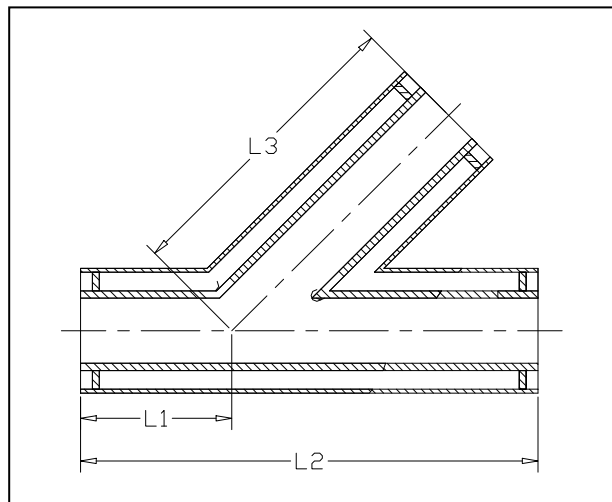
ASAHI/AMERICA®

Duo-Pro Double Contained Piping Systems

Pro45x45

45° Lateral

Part Number 5340+(size code)



SIZE (Size Code)	L1 (in.)	L2 (in.)	L3 (in.)
2 x 4 (420)	6	18	12
3 x 6 (531)	8	24	16
4 x 8 (583)	10	30	20
6 x 10 (627)	12	36	24
8 x 12 (660)	14	42	28
10 x 14 (702)	16	48	32
12 x 16 (690)	18	54	36
14 x 18 (710)*	20	60	40
16 x 20 (726)*	21	64	48

***Extrusion welded**



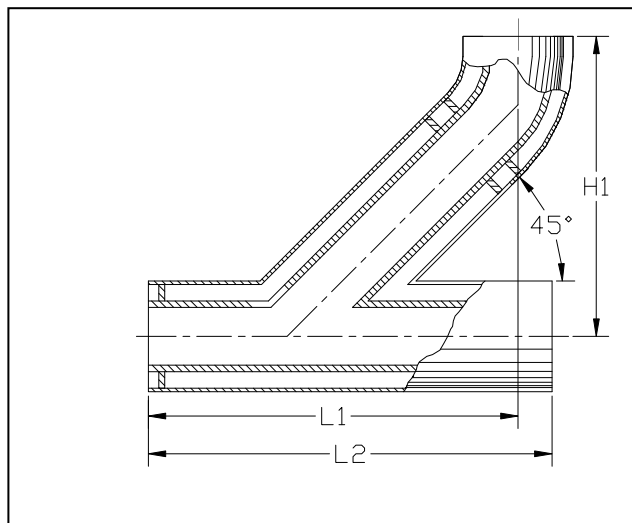
ASAHI/AMERICA®

Duo-Pro Double Contained Piping Systems

Pro45x45

45° Lateral w/1/8 Bend

Part Number 5380+(size code)



SIZE (Size Code)	L1 (in.)	L2 (in.)	H1 (in.)
2 x 4 (420)	18.0	18.0	16.5
3 x 6 (531)	23.25	24.0	21.5
4 x 8 (583)	28.5	30.0	24.0
6 x 10 (627)	33.0	36.0	26.75
8 x 12 (660)	38.125	42.0	30.375
10 x 14 (702)	45.5	48.0	39.125
12 x 16 (690)	51.75	54.0	45.375
14 x 18 (710)*	56.5	60.0	48.25

* Extrusion welded



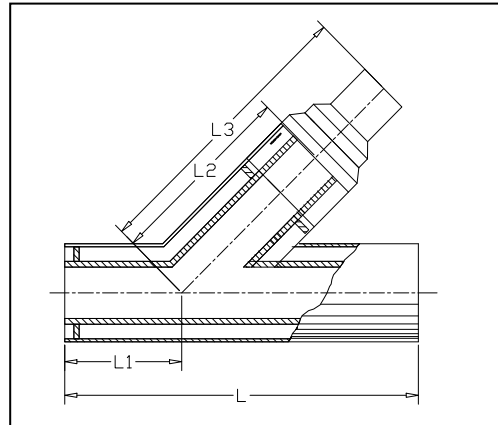
ASAHI/AMERICA®

Duo-Pro Double Contained Piping Systems

Pro45x45

45° Reducing Lateral

Part Number 5383+(size code)



SIZE (Size Code)	L1 (in.)	L (in.)	L2 (in.)	L3 (in.)
[3x2][6x4](743)	8	24	10.25	16.50
[4x2][8x4](744)	10	30	16.5	25.25
[4x3][8x6](746)	10	30	16.5	22.00
[6x2][10x4](892)	12	36	18.25	31.75
[6x3][10x6](747)	12	36	18.25	27.00
[6x4][10x8](748)	12	36	18.25	25.25
[8x2][12x4](890)	14	42	22.75	36.37
[8x3][12x6](896)	14	42	22.75	34.50
[8x4][12x8](895)	14	42	22.75	32.75
[8x6][12x10](893)	14	42	22.75	29.75
[10x3][14x16](898)	16	48	25	40.37
[10x4][14x8](903)	16	48	25	37.50
[10x6][14x10](902)	16	48	25	34.50
[10x8][14x12](899)	16	48	25	30.50
[12X4][16X8](924)	18	54	29	45.00
[12x4][16x8](904)	18	54	29	43.50
[12x6][16x10](915)	18	54	29	40.50
[12x8][16x12](910)	18	54	29	36.15
[14x4][18x8](916)*	20	60	-	40
[14x6][18x10](921)*	20	60	-	40
[14x8][18x12](928)*	20	60	-	40
[16x8][20x12](917)*	22	64	-	44
[16x10][20x16](922)*	22	64	-	44
[16x12][20x16](912)*	22	64	-	44
[16x14][20x18](913)	22	64	-	44

***Extrusion welded**

L2 is not required. Branch is bored out to reduce the run.

Asahi/America, Inc. 35 Green St. Malden MA 02148 Office 1-781-321-5409 Fax 1-781-321-4421

Email: asahi@asahi-america.com

Internet: www.asahi-america.com

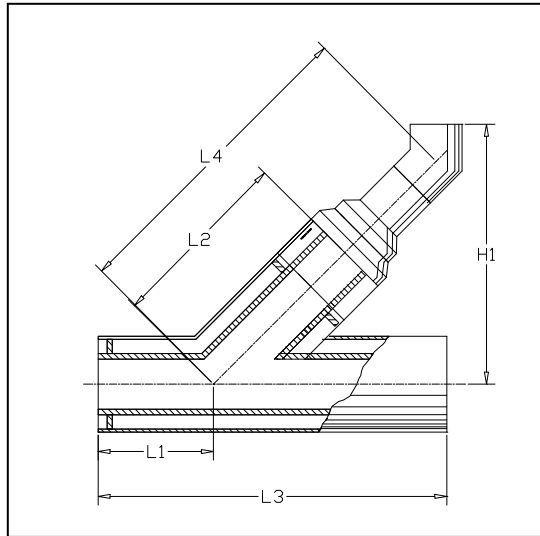
REV: C 09/19/2008



ASAHI/AMERICA®

Duo-Pro Double Contained Piping Systems

Pro45x45
45° Reducing Lateral
w/1/8 bend
 Part Number 5380+(size code)



SIZE (Size Code)	L1 (in.)	L2 (in.)	L3 (in.)	L4 (in.)	H1 (in.)
[2x1][4x3](740)	8	8.00	24	16.25	15.50
[3x2][6x4](743)	8	10.25	24	21.50	20.25
[4x2][8x4](744)	10	16.50	30	30.00	26.25
[4x3][8x6](746)	10	16.50	36	28.00	25.75
[6x3][10x6](747)	12	18.25	36	32.75	29.25
[6x4][10x8](748)	12	18.25	36	31.00	28.00
[8x3][12x6](896)	14	22.75	42	40.50	34.75
[8x4][12x8](895)	14	22.75	42	38.75	33.50
[8x6][12x10](893)	14	22.75	42	35.75	31.25
[10x4][14x8](903)	16	25.00	48	43.50	37.00
[10x6][14x10](902)	16	25.00	48	40.50	34.50
[10x8][14x12](899)	16	25.00	48	37.00	32.00
[12x4][16x8](904)	18	26.50	54	47.00	39.00
[12x6][16x10](915)	18	26.50	54	44.00	37.00
[12x8][16x12](910)	18	26.50	54	41.50	35.00
[14x4][18x8](916)	20	40.00	60	46.00	38.25
[14x6][18x10](921)	20	40.00	60	46.00	38.25
[14x8][18x12](928)	20	40.00	60	46.50	38.50

Asahi/America, Inc. 35 Green St. Malden MA 02148 Office 1-781-321-5409 Fax 1-781-321-4421

Email: asahi@asahi-america.com

Internet: www.asahi-america.com

REV: C 09/19/2008



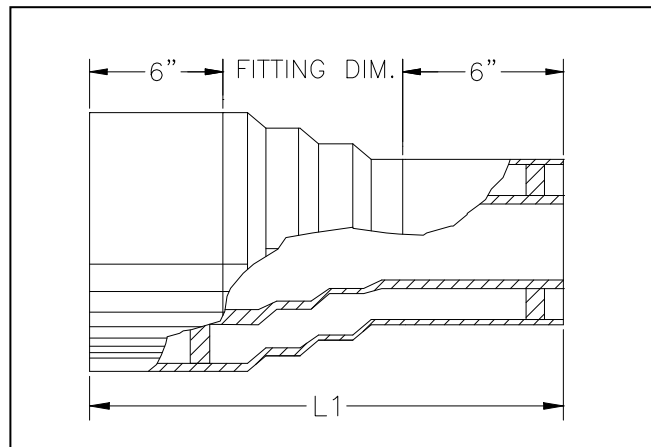
ASAHI/AMERICA®

Duo-Pro Double Contained Piping Systems

Pro45x45

Concentric Reducer

Part Number 5384+(size code)



SIZE (Size Code)	L1 (in.)
[4x2][8x4] (744)	17.75
[4x3][8x6] (746)	14.50
[6x4][10x8] (748)	15.75
[6x3][10x6] (747)	17.50
[6x2][10x4] (892)	21.00
[8x6][12x10] (893)	16.00
[8x4][12x8] (895)	19.00
[8x3][12x6] (896)	21.00
[10x8][14x12] (899)	14.50
[10x6][14x10] (902)	18.50
[10x4][14x8] (903)	21.50
[12x6][16x10] (904)	20.50
[12x8][16x12] (915)	16.50
[12x10][16x14] (910)	15.00
[14x8][18x12] (916)	18.50
[14x10][18x14] (921)	17.00
[14x12][18x16] (928)	15.00

Asahi/America, Inc. 35 Green St. Malden MA 02148 Office 1-781-321-5409 Fax 1-781-321-4421

Email: asahi@asahi-america.com

Internet: www.asahi-america.com

REV: C 09/19/2008



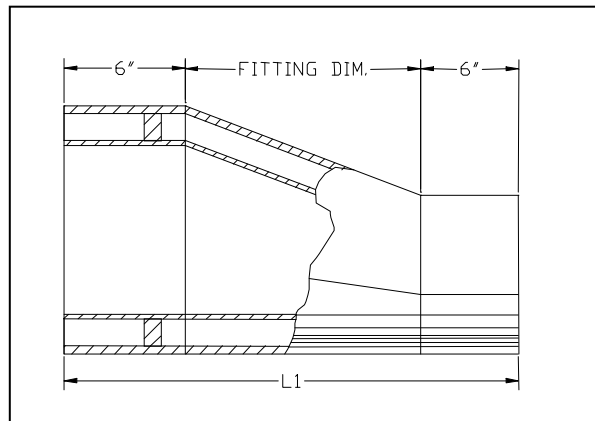
ASAHI/AMERICA®

Duo-Pro Double Contained Piping Systems

Pro45x45

Eccentric Reducer

Part Number 5386+(size code)



SIZE (Size Code)	L1 (in.)
[3x2][6x4] (743)	15.50
[4x4][8x4] (744)	18.00
[4x3][8x6] (746)	14.50
[6x4][10x8] (748)	15.25
[6x3][10x6] (747)	18.00
[6x2][10x4] (892)	19.50
[8x6][12x10] (893)	16.50
[8x4][12x8] (895)	19.50
[8x3][12x6] (896)	22.50
[10x8][14x12] (899)	14.75
[10x6][14x10] (902)	19.50
[10x4][14x8] (903)	22.75



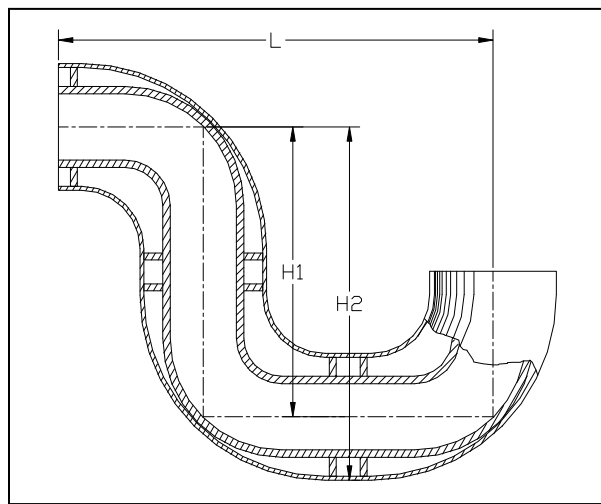
ASAHI/AMERICA®

Duo-Pro Double Contained Piping Systems

Pro45x45

P-Trap

Part Number 5376+(size code)



SIZE (Size Code)	L (in.)	H1 (in.)	H2 (in.)
2 x 4 (420)	14.25	9 7/16	11 13/16
3 x 6 (531)	21	13 15/16	17 1/2
4 x 8 (583)	25 5/8	17 1/16	21 3/8
6 x 10 (627)	33 7/16	22 3/16	27 3/4
8 x 12 (660)	35 5/16	26 1/4	32 3/4



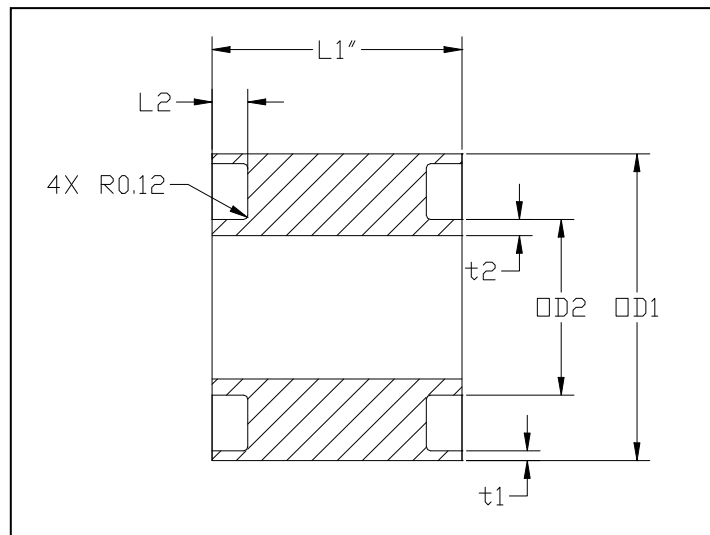
ASAHI/AMERICA®

Duo-Pro Double Contained Piping Systems

Pro45x45

Solid Dogbone

Part Number 5392+(size code)



SIZE (Size Code)	OD2 (in.)	OD1 (in.)	L1 (in.)	L2 (in.)	t2 (in.)	t1 (in.)
2 x 4 (420)	2.48	4.33	3.0	.500	.228	.134
3 x 6 (531)	3.54	6.30	3.0	.500	.323	.193
4 x 8 (583)	4.33	7.87	3.0	.500	.394	.244
6 x 10 (627)	6.30	9.84	3.0	.500	.575	.303
8 x 12 (660)	7.87	12.4	3.0	.500	.717	.382
10 x 14 (702)	9.84	13.98	2.25	.500	.894	.429
12 x 16 (690)	12.40	15.75	2.25	.500	1.126	.484
14 x 18 (710)	13.98	17.72	2.25	.500	1.268	.543
16 x 20 (726)	15.75	19.69	2.25	.500	1.429	.602

Asahi/America, Inc. 35 Green St. Malden MA 02148 Office 1-781-321-5409 Fax 1-781-321-4421

Email: asahi@asahi-america.com

Internet: www.asahi-america.com

REV: C 09/19/2008



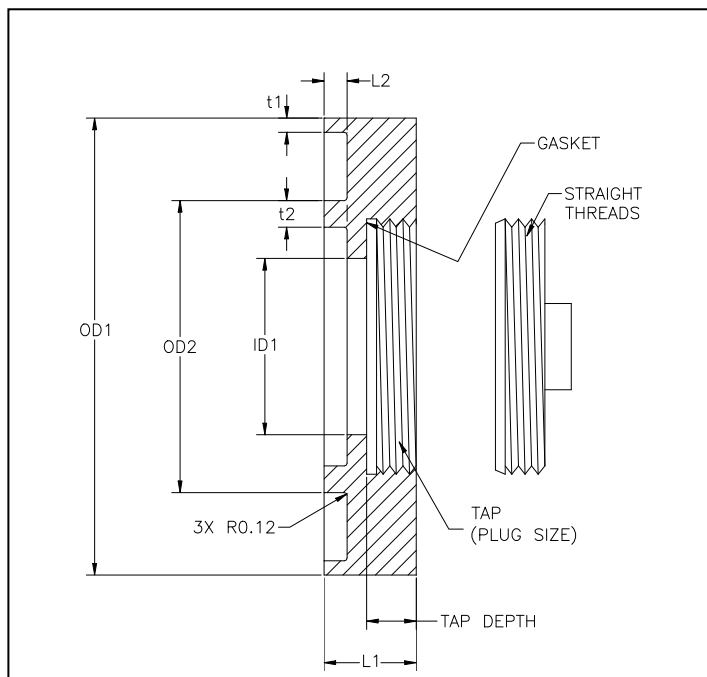
ASAHI/AMERICA®

Duo-Pro Double Contained Piping Systems

Pro45x45

Cleanout with Plug

Part Number 5377+(size code)



SIZE (Size Code)	OD2 (in.)	OD1 (in.)	L1 (in.)	L2 (in.)	ID1 (in.)	t2 (in.)	t1 (in.)	TAP (in.)	TAP DEPTH (in.)
2 x 4 (420)	2.48	4.33	3.0	.50	2.00	.228	.134	3	1.12
3 x 6 (531)	3.54	6.30	3.0	.50	2.50	.323	.193	4	1.26
4 x 8 (583)	4.33	7.87	3.0	.50	3.00	.394	.244	4	1.26
6 x 10 (627)	6.30	9.84	3.0	.50	5.00	.575	.303	6	1.52
8 x 12 (660)	7.87	12.4	3.0	.50	5.00	.717	.382	6	1.52
10 x 14 (702)	9.84	13.95	2.25	.50	5.00	.894	.429	6	1.52
12 x 16 (690)	12.40	15.75	2.25	.50	5.00	1.126	.484	6	1.52
14 x 18 (710)	13.98	17.72	2.25	.50	5.00	1.268	.543	6	1.52
16 x 20 (726)	15.75	19.69	2.25	.50	5.00	1.429	.602	6	1.52

Asahi/America, Inc. 35 Green St. Malden MA 02148 Office 1-781-321-5409 Fax 1-781-321-4421

Email: asahi@asahi-america.com

Internet: www.asahi-america.com

REV: C 09/19/2008

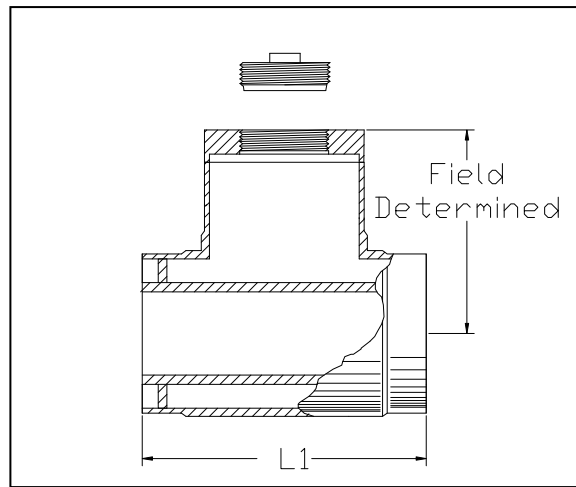


Duo-Pro Double Contained Piping Systems

Pro45x45

Access Tee W/Threaded Plug

Part Number 5375+(size code)



SIZE (Size Code)	L1 (in.)
2 x 4 (420)	8.46
3 x 6 (531)	10.94
4 x 8 (583)	13.39
6 x 10 (627)	17.24
8 x 12 (660)	21.06
10 x 14 (702)	26.93
12 x 16 (690)	27.36
14 x 18 (710)	35.43



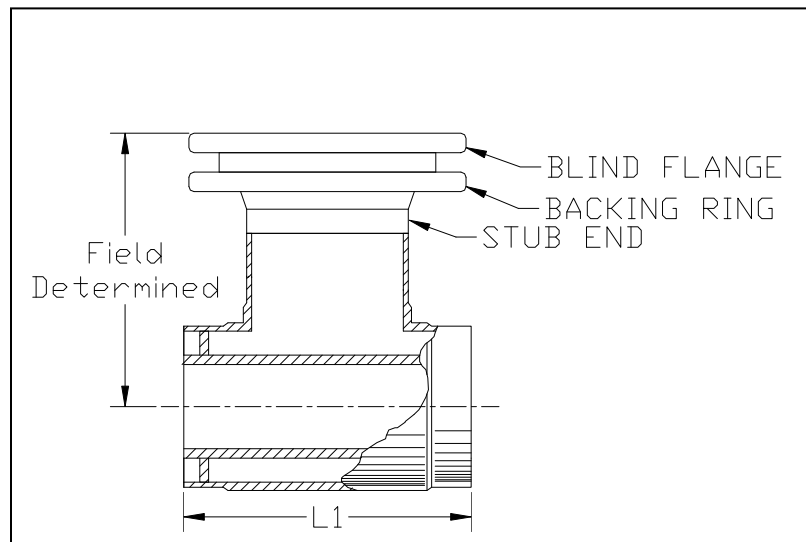
ASAHI/AMERICA®

Duo-Pro Double Contained Piping Systems

Pro45x45

Access Tee W/Flanged Cover

Part Number 5373+(size code)



SIZE (Size Code)	L1 (in.)
2 x 4 (420)	8.46
3 x 6 (531)	10.94
4 x 8 (583)	13.39
6 x 10 (627)	17.24
8 x 12 (660)	21.06
10 x 14 (702)	26.93
12 x 16 (690)	27.36
14 x 18 (710)	35.43



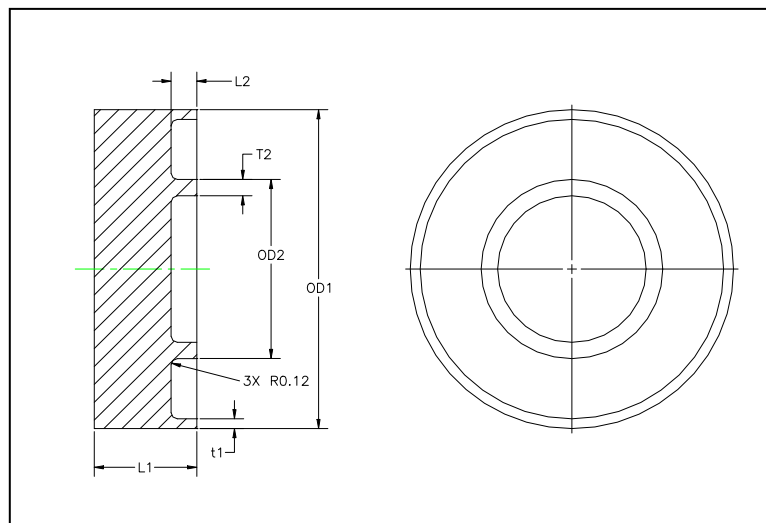
ASAHI/AMERICA®

Duo-Pro Double Contained Piping Systems

Pro45x45

Cap

Part Number 5393+(size code)



SIZE (Size Code)	OD2 (in.)	OD1 (in.)	L1 (in.)	L2 (in.)	t2 (in.)	t1 (in.)
2 x 4 (420)	2.48	4.33	2.0	.50	.228	.134
3 x 6 (531)	3.54	6.30	2.0	.50	.323	.193
4 x 8 (583)	4.33	7.87	2.0	.50	.394	.244
6 x 10 (627)	6.30	9.84	2.0	.50	.575	.303
8 x 12 (660)	7.87	12.4	2.0	.50	.717	.382
10 x 14 (702)	9.84	13.98	2.0	.50	.894	.429
12 x 16 (690)	12.40	15.75	2.0	.50	1.126	.484
14 x 18 (710)	13.98	17.72	2.0	.50	1.268	.543
16 x 20 (726)	15.75	19.69	2.0	.50	1.429	.602



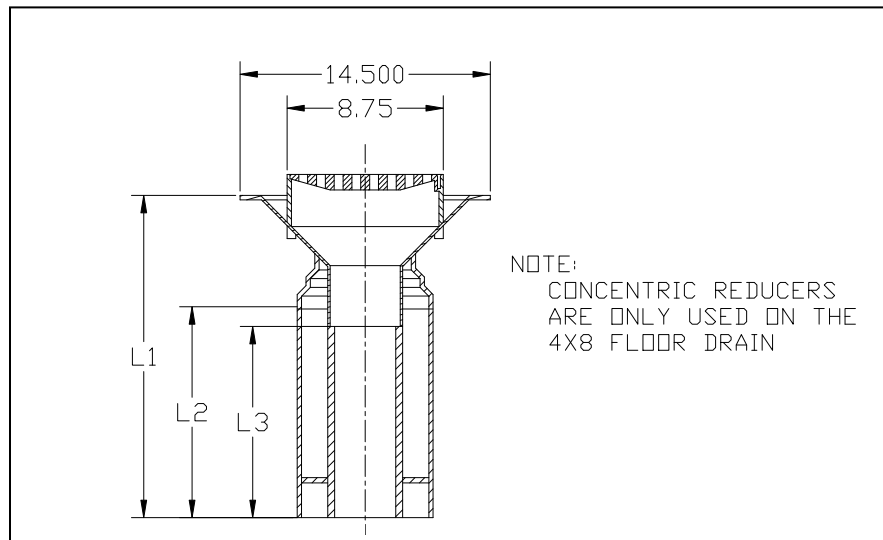
ASAHI/AMERICA®

Duo-Pro Double Contained Piping Systems

Pro45x45

ADJ- Floor Drain

Part Number 5379+(size code)



SIZE (Size Code)	L1 (in.)	L2 (in.)	L3 (in.)
2 x 4 (420)	18.0	15.5	6.0 + 3x2 EXT. LEG REDUCER
3 x 6 (531)	18.0	15.75	11.75
4 x 8 (583)	18.0	12	11.25
6 x 10 (627)	18.0	17	12