



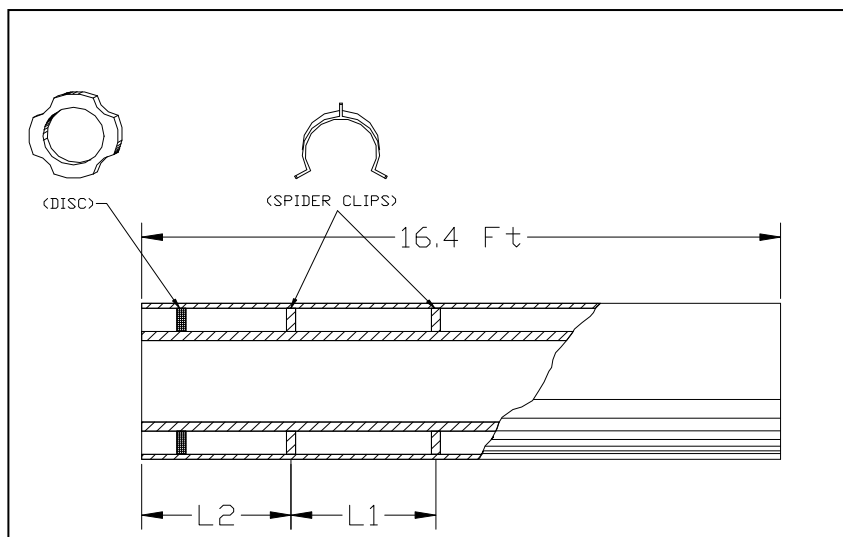
ASAHI/AMERICA®

Duo-Pro Double Contained Piping Systems

PRO 150x150

Simultaneous Pipe

Part Number 5210+(size code)



SIZE (Size Code)	L1 (ft.)	L2 (ft.)	# Spider Clips
1 x 3 (134)	3.75	2.5	4
2 x 4 (420)	3.50	3.0	4
3 x 6 (531)	5.25	3.0	3
4 x 8 (583)	5.25	3.0	3
6 x 10 (627)	5.25	3.0	3
8 x 12 (660)	5.25	3.0	3
10 x 14 (702)	5.25	3.0	3

Asahi/America, Inc. 35 Green St. Malden MA 02148 Office 1-781-321-5409 Fax 1-781-321-4421

Email: asahi@asahi-america.com

Internet: www.asahi-america.com

REV: C 09/19/2008



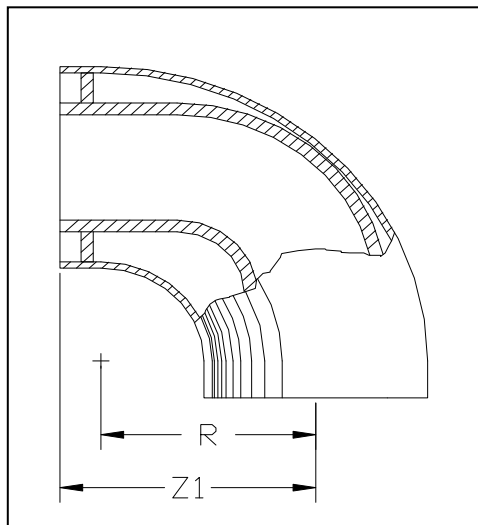
ASAHI/AMERICA®

Duo-Pro Double Contained Piping Systems

PRO 150x150

90° ELBOW

Part Number 5203+(size code)



SIZE (Size Code)	Z1 (in.)	R (in.)
1 x 3 (134)	3.94	3.35
2 x 4 (420)	4.88	4.13
3 x 6 (531)	7.08	6.10
4 x 8 (583)	7.87	7.68
6 x 10 (627)	11.22	10.04
8 x 12 (660)	13.39	11.81
10 x 14 (702)	13.40	11.81

Asahi/America, Inc. 35 Green St. Malden MA 02148 Office 1-781-321-5409 Fax 1-781-321-4421

Email: asahi@asahi-america.com

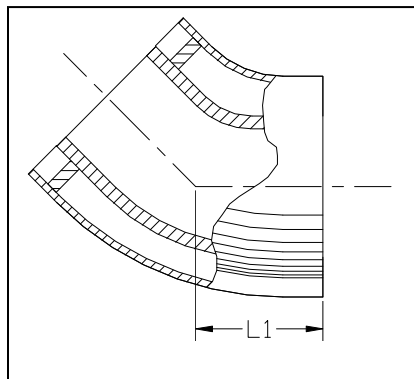
Internet: www.asahi-america.com

REV: C 09/19/2008



Duo-Pro Double Contained Piping Systems

Pro150x150
45° ELBOW
 Part Number 5205+(size code)



SIZE (Size Code)	L1 (in.)
1 x 3 (134)	4.00
2 x 4 (420)	4.25
3 x 6 (531)	6.00
4 x 8 (583)	6.50
6 x 10 (627)	8.50
8 x 12 (660)	10.00
10 x 14* (702)	8.50

*14"CONTAINMENT IS
 SEGMENTED

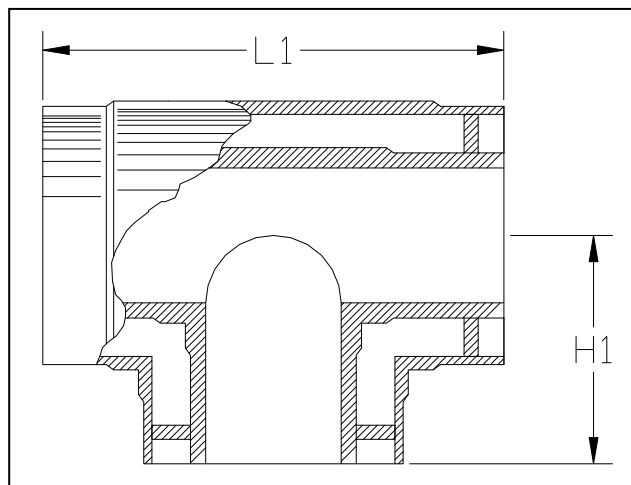


Duo-Pro Double Contained Piping Systems

Pro150x150

45° TEE

Part Number 5201+(size code)



SIZE (Size Code)	L1 (in.)	H1 (in.)
1 x 3 (134)	8.15	4.17
2 x 4 (420)	9.45	4.72
3 x 6 (531)	12.40	6.30
4 x 8 (583)	15.59	7.80
6 x 10 (627)	18.50	9.25
8 x 12 (660)	21.26	10.83
10 x 14 (702)	26.57	13.46

Asahi/America, Inc. 35 Green St. Malden MA 02148 Office 1-781-321-5409 Fax 1-781-321-4421

Email: asahi@asahi-america.com

Internet: www.asahi-america.com

REV: C 09/19/2008

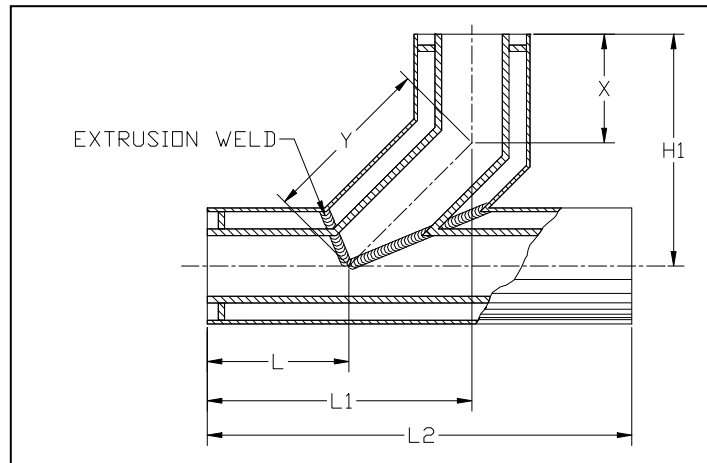


Duo-Pro Double Contained Piping Systems

Pro150x150

45° Sanitary Tee

Part Number 5227+(size code)



SIZE (Size Code)	L (in.)	L1 (in.)	L2 (in.)	H1 (in.)	X (in.)	Y (in.)
1 X 3 (134)	6	12	18	10	4	8.49
2 x 4 (420)	6	12	18	10	4	8.49
3 x 6 (531)	8	16	24	13	5	11.31
4 x 8 (583)	10	20	30	16	6	14.14
6 x 10 (627)	12	24	36	18.50	6.50	16.97
8 x 12 (660)	14	28	42	21.75	7.75	19.80
10 x 14 (702)	16	32	48	24.25	8.25	22.63

Asahi/America, Inc. 35 Green St. Malden MA 02148 Office 1-781-321-5409 Fax 1-781-321-4421

Email: asahi@asahi-america.com

Internet: www.asahi-america.com

REV: C 09/19/2008



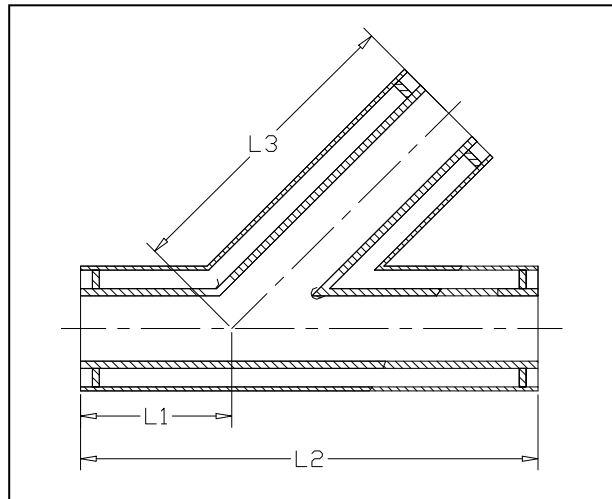
ASAHI/AMERICA®

Duo-Pro Double Contained Piping Systems

Pro150x150

45° Lateral

Part Number 5239+(size code)



SIZE (Size Code)	L1 (in.)	L2 (in.)	L3 (in.)
1 x 3 (134)	6	18	12
2 x 4 (420)	6	18	12
3 x 6 (531)	8	24	16
4 x 8 (583)	10	30	20
6 x 10 (627)	12	36	24
8 x 12 (660)	14	42	28
10 x 14 (702)	16	48	32

Asahi/America, Inc. 35 Green St. Malden MA 02148 Office 1-781-321-5409 Fax 1-781-321-4421

Email: asahi@asahi-america.com

Internet: www.asahi-america.com

REV: C 09/19/2008



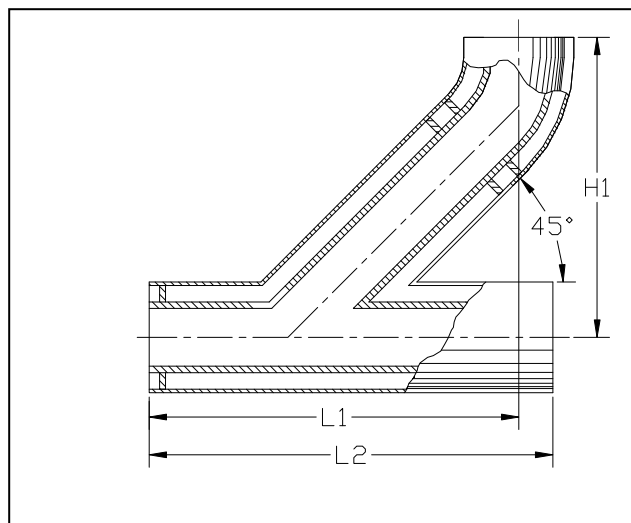
ASAHI/AMERICA®

Duo-Pro Double Contained Piping Systems

Pro150x150

45° Lateral w/1/8 Bend

Part Number 5237+(size code)



SIZE (Size Code)	L1 (in.)	L2 (in.)	H1 (in.)
1 x 3 (134)	17.25	18.0	15.25
2 x 4 (420)	18.00	18.0	16.50
3 x 6 (531)	23.25	24.0	21.50
4 x 8 (583)	28.50	30.0	25.00
6 x 10 (627)	34.75	36.0	31.25
8 x 12 (660)	40.75	42.0	36.75
10 x 14 (702)	44.50	48.0	37.00

Asahi/America, Inc. 35 Green St. Malden MA 02148 Office 1-781-321-5409 Fax 1-781-321-4421

Email: asahi@asahi-america.com

Internet: www.asahi-america.com

REV: C 09/19/2008

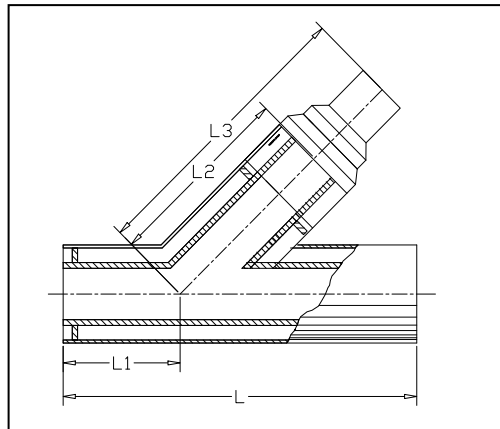


Duo-Pro Double Contained Piping Systems

Pro150x150

45° Reducing Lateral

Part Number 5235+(size code)



SIZE (Size Code)	L1 (in.)	L (in.)	L2 (in.)	L3 (in.)
[3x2][6x4](743)	8	24	10.25	16.50
[4x2][8x4](744)	10	30	16.5	25.25
[4x3][8x6](746)	10	30	16.5	22.00
[6x3][10x6](747)	12	36	18.25	27.00
[6x4][10x8](748)	12	36	18.25	25.25
[8x3][12x6](896)	14	42	22.75	34.50
[8x4][12x8](895)	14	42	22.75	32.75
[8x6][12x10](893)	14	42	22.75	29.75
[10x4][14x8](903)	16	48	25	37.50
[10x6][14x10](902)	16	48	25	34.50
[10x8][14x12](899)	16	48	25	30.50

Asahi/America, Inc. 35 Green St. Malden MA 02148 Office 1-781-321-5409 Fax 1-781-321-4421

Email: asahi@asahi-america.com

Internet: www.asahi-america.com

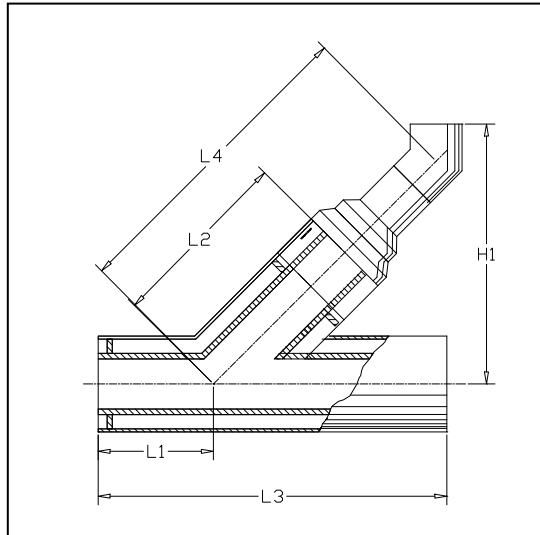
REV: C 09/19/2008



ASAHI/AMERICA®

Duo-Pro Double Contained Piping Systems

Pro150x150
45° Reducing Lateral
W/1/8 bend
 Part Number 5237+(size code)



SIZE (Size Code)	L1 (in.)	L2 (in.)	L3 (in.)	H1 (in.)
[2x1][4x3](740)	8	8.00	24	15.50
[3x2][6x4](743)	8	10.25	24	20.25
[4x2][8x4](744)	10	16.50	30	26.25
[4x3][8x6](746)	10	16.50	36	25.75
[6x3][10x6](747)	12	18.25	36	29.25
[6x4][10x8](748)	12	18.25	36	28.00
[8x3][12x6](896)	14	22.75	42	34.75
[8x4][12x8](895)	14	22.75	42	33.50
[8x6][12x10](893)	14	22.75	42	31.25
[10x4][14x8](903)	16	25.00	48	37.00
[10x6][14x10](902)	16	25.00	48	34.50
[10x8][14x12](899)	16	25.00	48	32.00

Asahi/America, Inc. 35 Green St. Malden MA 02148 Office 1-781-321-5409 Fax 1-781-321-4421

Email: asahi@asahi-america.com

Internet: www.asahi-america.com

REV: C 09/19/2008



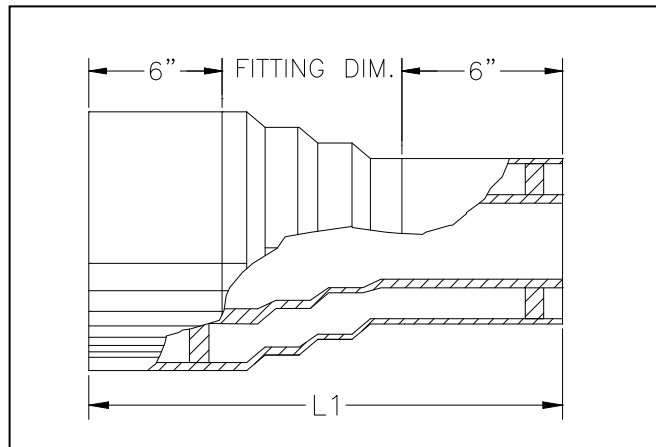
ASAHI/AMERICA®

Duo-Pro Double Contained Piping Systems

Pro150x150

Concentric Reducer

Part Number 5256+(size code)



SIZE (Size Code)	L1 (in.)
[3x1][6x3] (741)	16.50
[3x2][6x4] (743)	15.25
[4x2][8x4] (744)	17.75
[4x3][8x6] (746)	14.50
[6x4][10x8] (748)	15.75
[6x3][10x6] (747)	17.75
[6x2][10x4] (892)	19.00
[8x6][12x10] (893)	16.00
[8x4][12x8] (895)	19.00
[8x3][12x6] (896)	21.00
[10x8][14x12] (899)	14.50
[10x6][14x10] (902)	18.50
[10x4][14x8] (903)	21.50

Asahi/America, Inc. 35 Green St. Malden MA 02148 Office 1-781-321-5409 Fax 1-781-321-4421

Email: asahi@asahi-america.com

Internet: www.asahi-america.com

REV: C 09/19/2008



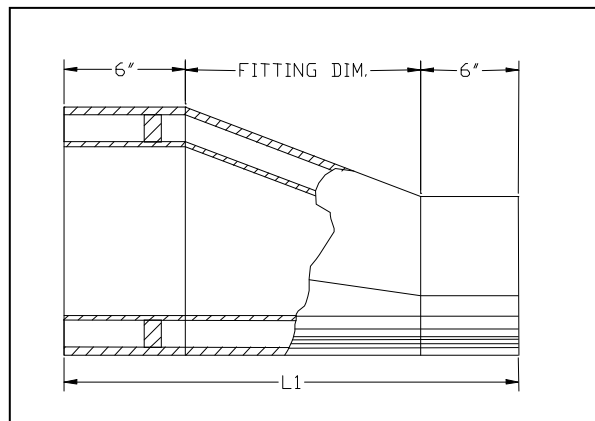
ASAHI/AMERICA®

Duo-Pro Double Contained Piping Systems

Pro150x150

Eccentric Reducer

Part Number 5253+(size code)



SIZE (Size Code)	L1 (in.)
[3x1][6x3] (741)	16.50
[3x2][6x4] (743)	15.50
[4x2][8x4] (744)	18.00
[4x3][8x6] (746)	14.50
[6x4][10x8] (748)	15.25
[6x3][10x6] (747)	18.00
[6x2][10x4] (892)	21.50
[8x6][12x10] (893)	16.50
[8x4][12x8] (895)	19.50
[8x3][12x6] (896)	22.50
[10x8][14x12] (899)	14.75
[10x6][14x10] (902)	19.50
[10x4][14x8] (903)	22.75

Asahi/America, Inc. 35 Green St. Malden MA 02148 Office 1-781-321-5409 Fax 1-781-321-4421

Email: asahi@asahi-america.com

Internet: www.asahi-america.com

REV: C 09/19/2008



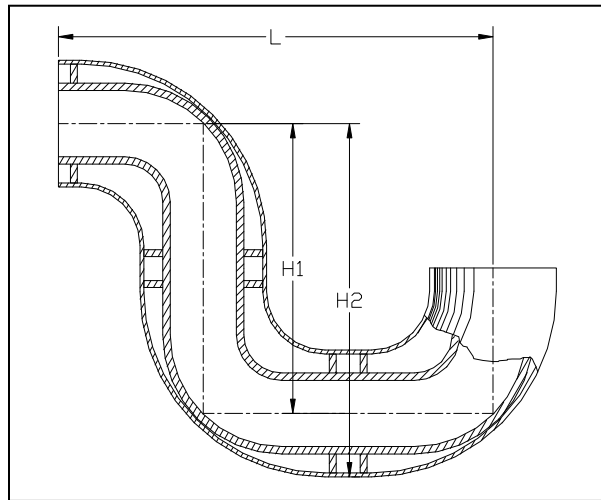
ASAHI/AMERICA®

Duo-Pro Double Contained Piping Systems

Pro150x150

P-Trap

Part Number 5213+(size code)



SIZE (Size Code)	L (in.)	H1 (in.)	H2 (in.)
1 x 3 (134)	11.57	7.63	9.40
2 x 4 (420)	14.42	9.53	11.70
3 x 6 (531)	21.02	13.93	17.08
4 x 8 (583)	23.36	15.49	19.43
6 x 10 (627)	33.44	22.21	27.13
8 x 12 (660)	39.95	26.55	32.75

Asahi/America, Inc. 35 Green St. Malden MA 02148 Office 1-781-321-5409 Fax 1-781-321-4421

Email: asahi@asahi-america.com

Internet: www.asahi-america.com

REV: C 09/19/2008

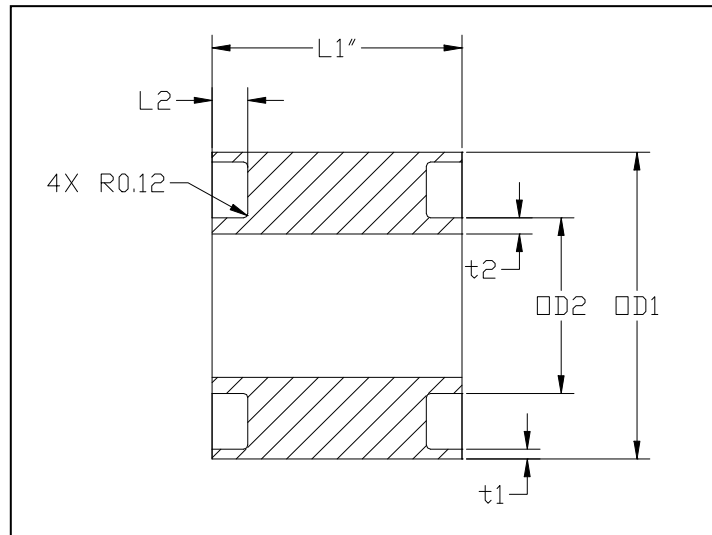


Duo-Pro Double Contained Piping Systems

Pro150x150

Solid Dogbone

Part Number 5216+(size code)



SIZE (Size Code)	OD2 (in.)	OD1 (in.)	L1 (in.)	L2 (in.)	t2 (in.)	t1 (in.)
1 x 3 (134)	1.26	3.54	3.0	.500	.118	.323
2 x 4 (420)	2.48	4.33	3.0	.500	.228	.394
3 x 6 (531)	3.54	6.30	3.0	.500	.323	.575
4 x 8 (583)	4.33	7.87	3.0	.500	.394	.717
6 x 10 (627)	6.30	9.84	3.0	.500	.575	.894
8 x 12 (660)	7.87	12.4	3.0	.500	.717	1.126
10 x 14 (702)	9.84	13.98	2.25	.500	.894	1.268

Asahi/America, Inc. 35 Green St. Malden MA 02148 Office 1-781-321-5409 Fax 1-781-321-4421

Email: asahi@asahi-america.com

Internet: www.asahi-america.com

REV: C 09/19/2008



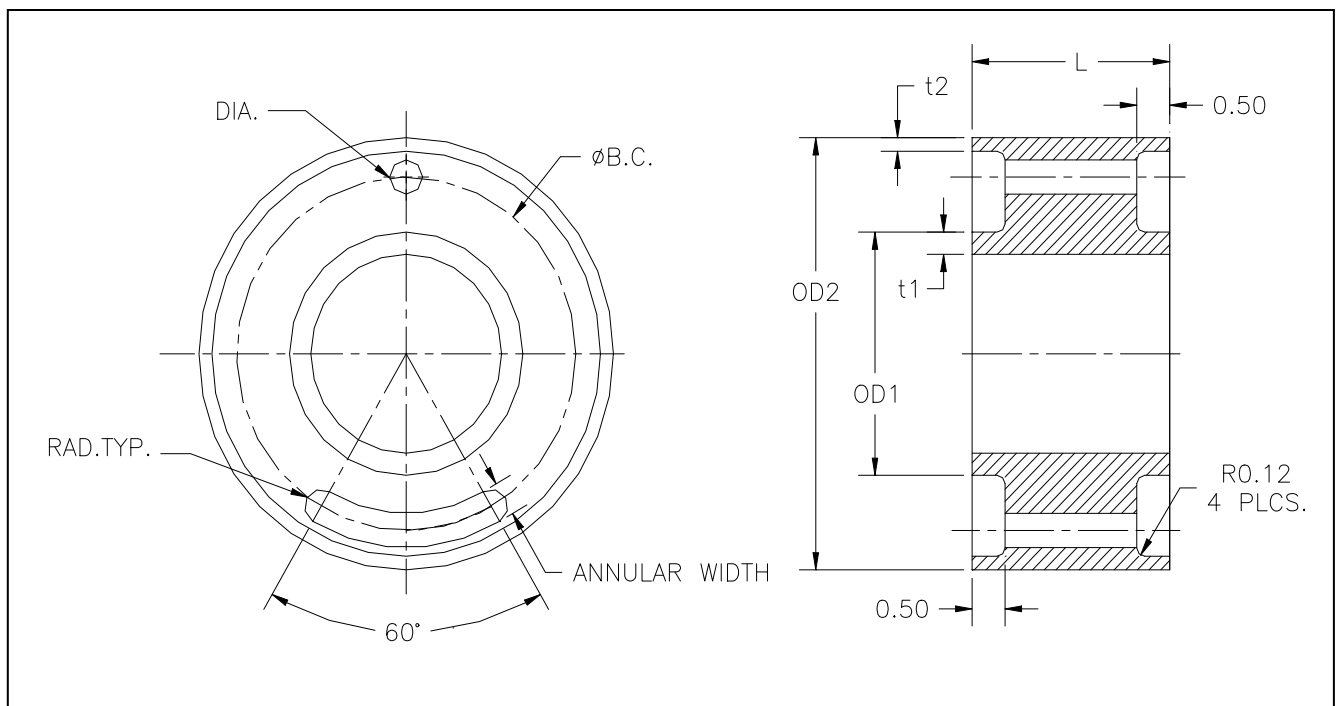
ASAHI/AMERICA®

Duo-Pro Double Contained Piping Systems

Pro150x150

Annular Dogbone

Part Number 5218+(size code)



SIZE (Size Code)	OD2 (in.)	OD1 (in.)	L (in.)	B.C (in.)	t1 (in.)	t2 (in.)	Annular Dia. (in.)
1 x 3 (134)	1.26	3.54	3.0	2.11	.114	.323	0.50
2 x 4 (420)	2.48	4.33	3.0	2.91	.228	.394	0.38
3 x 6 (531)	3.54	6.30	3.0	4.40	.323	.575	0.50
4 x 8 (583)	4.33	7.87	3.0	5.44	.394	.717	0.75
6 x 10 (627)	6.30	9.84	3.0	7.04	.575	.894	0.63
8 x 12 (660)	7.87	12.40	3.0	9.14	.717	1.126	0.75
10 x 14 (702)	9.84	13.98	2.25	10.64	.894	1.268	0.63

Asahi/America, Inc. 35 Green St. Malden MA 02148 Office 1-781-321-5409 Fax 1-781-321-4421

Email: asahi@asahi-america.com

Internet: www.asahi-america.com

REV: C 09/19/2008



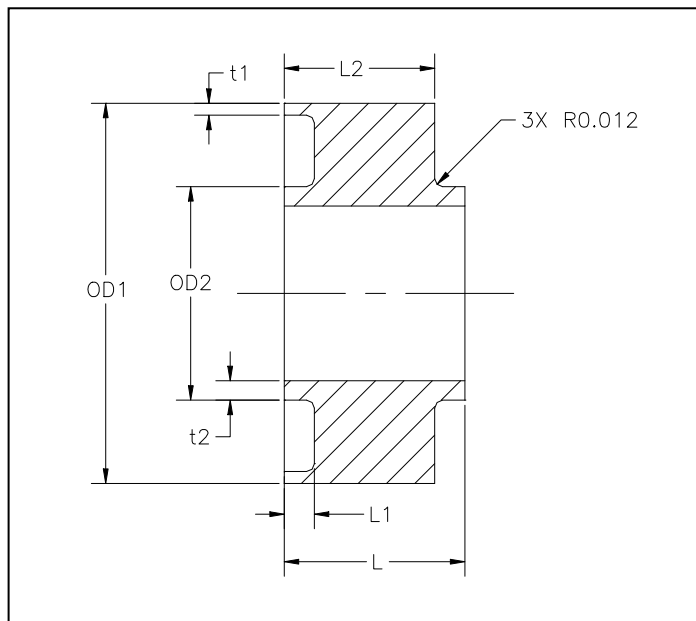
ASAHI/AMERICA®

Duo-Pro Double Contained Piping Systems

Pro150x150

End Termination

Part Number 5247+(size code)



SIZE (Size Code)	OD2 (in.)	OD1 (in.)	L (in.)	L1 (in.)	L2 (in.)	t2 (in.)	t1 (in.)
1 x 3 (134)	1.26	3.54	3.00	.50	2.25	.114	.323
2 x 4 (420)	2.48	4.33	3.00	.50	2.25	.228	.394
3 x 6 (531)	3.54	6.30	3.00	.50	2.25	.323	.575
4 x 8 (583)	4.33	7.87	3.00	.50	2.25	.394	.717
6 x 10 (627)	6.30	9.84	3.00	.50	2.25	.575	.894
8 x 12 (660)	7.87	12.40	3.00	.50	2.25	.717	1.126
10 x 14 (702)	9.84	13.98	2.25	.50	1.50	.894	1.268

Asahi/America, Inc. 35 Green St. Malden MA 02148 Office 1-781-321-5409 Fax 1-781-321-4421

Email: asahi@asahi-america.com

Internet: www.asahi-america.com

REV: C 09/19/2008



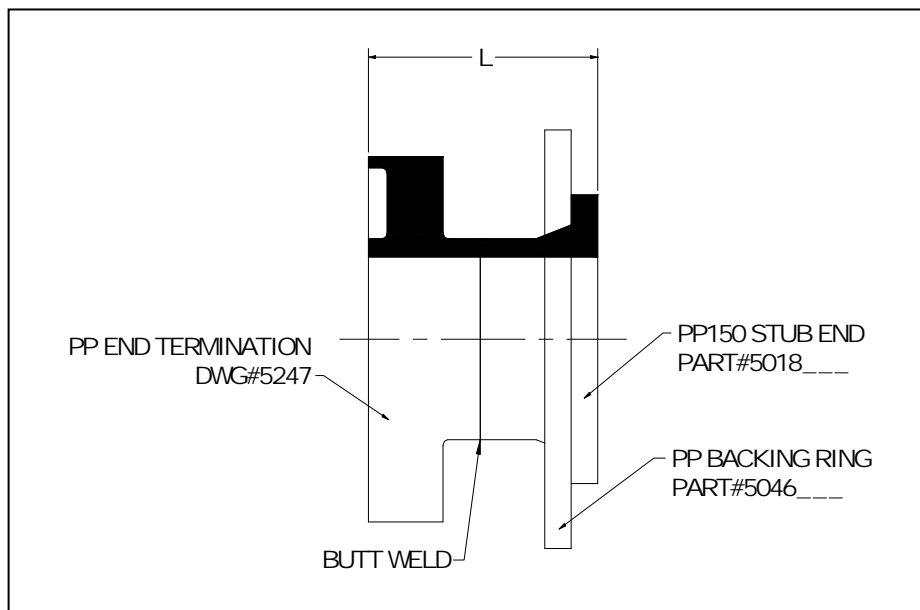
ASAHI/AMERICA®

Duo-Pro Double Contained Piping Systems

Pro150x150

Flanged End Termination

Part Number 5249+(size code)



SIZE (Size Code)	STUB & RING SIZE	L (in.)
1 x 3 (134)	1"	4.75
2 x 4 (420)	2"	4.75
3 x 6 (531)	3"	6.00
4 x 8 (583)	4"	6.00
6 x 10 (627)	6"	6.00
8 x 12 (660)	8"	6.00
10 x 14 (702)	10"	7.00

Asahi/America, Inc. 35 Green St. Malden MA 02148 Office 1-781-321-5409 Fax 1-781-321-4421

Email: asahi@asahi-america.com

Internet: www.asahi-america.com

REV: C 09/19/2008



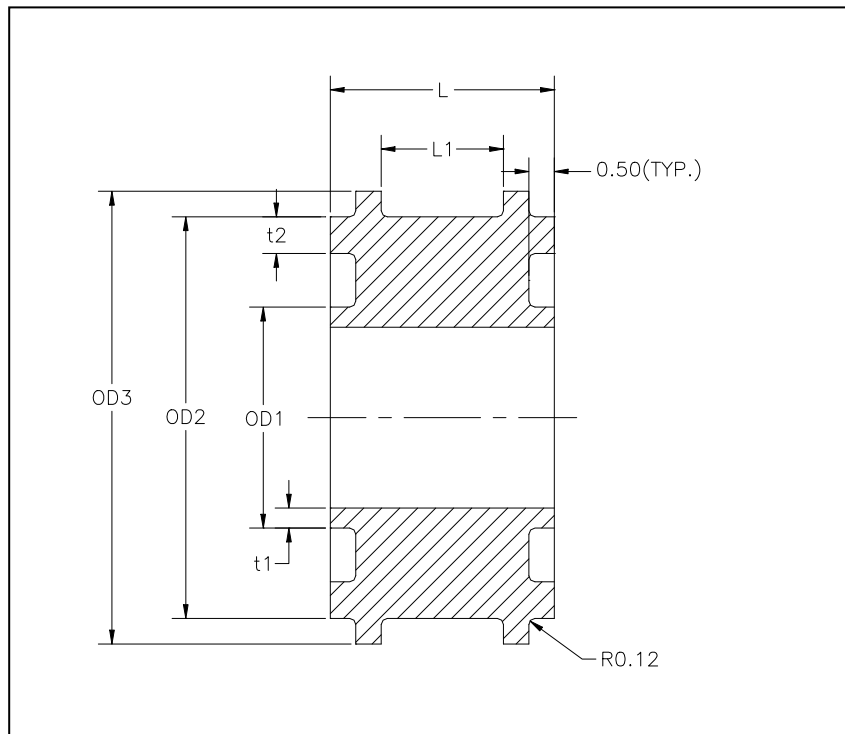
ASAHI/AMERICA®

Duo-Pro Double Contained Piping Systems

Pro150x150

Restraint Dogbone

Part Number 5217+(size code)



SIZE (Size Code)	OD1 (in.)	OD2 (in.)	OD3 (in.)	L (in.)	L1 (in.)	$t1$ (in.)	$t2$ (in.)
1 x 3 (134)	1.26	3.54	4.54	3.60	1.60	.114	.323
2 x 4 (420)	2.48	4.33	5.33	3.60	1.60	.228	.394
3 x 6 (531)	3.54	6.30	7.30	4.40	2.40	.323	.575
4 x 8 (583)	4.33	7.87	8.87	4.40	2.40	.394	.717
6 x 10 (627)	6.30	9.84	10.84	3.625	1.625	.575	.894
8 x 12 (660)	7.87	12.40	13.40	3.625	1.625	.717	1.126

CONSULT FACTORY FOR LARGER SIZES

Asahi/America, Inc. 35 Green St. Malden MA 02148 Office 1-781-321-5409 Fax 1-781-321-4421

Email: asahi@asahi-america.com

Internet: www.asahi-america.com

REV: C 09/19/2008



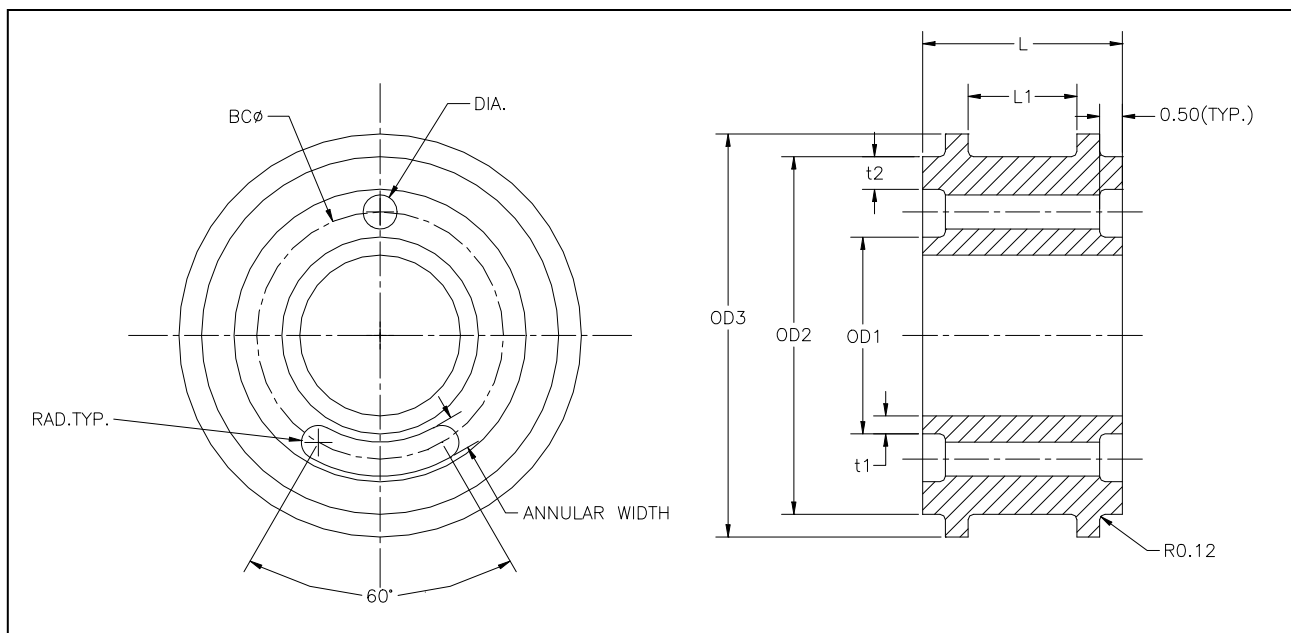
ASAHI/AMERICA®

Duo-Pro Double Contained Piping Systems

Pro150x150

Annular Restraint Dogbone

Part Number 5219+(size code)



SIZE (Size Code)	OD1 (in.)	OD2 (in.)	OD3 (in.)	L (in.)	L1 (in.)	B.C (in.)	t1 (in.)	t2 (in.)	Annular Dia. (in.)
1 x 3 (134)	1.26	3.54	4.54	3.60	1.60	2.11	.114	.323	0.50
2 x 4 (420)	2.48	4.33	5.33	3.60	1.60	2.91	.228	.394	0.38
3 x 6 (531)	3.54	6.30	7.30	4.40	2.40	4.40	.323	.575	0.50
4 x 8 (583)	4.33	7.87	8.87	4.40	2.40	5.44	.394	.717	0.75
6 x 10 (627)	6.30	9.84	10.84	3.625	1.625	7.04	.575	.894	0.63
8 x 12 (660)	7.87	12.40	13.40	3.625	1.625	9.14	.717	1.126	0.75

CONSULT FACTORY FOR LARGER SIZES

Asahi/America, Inc. 35 Green St. Malden MA 02148 Office 1-781-321-5409 Fax 1-781-321-4421

Email: asahi@asahi-america.com

Internet: www.asahi-america.com

REV: C 09/19/2008



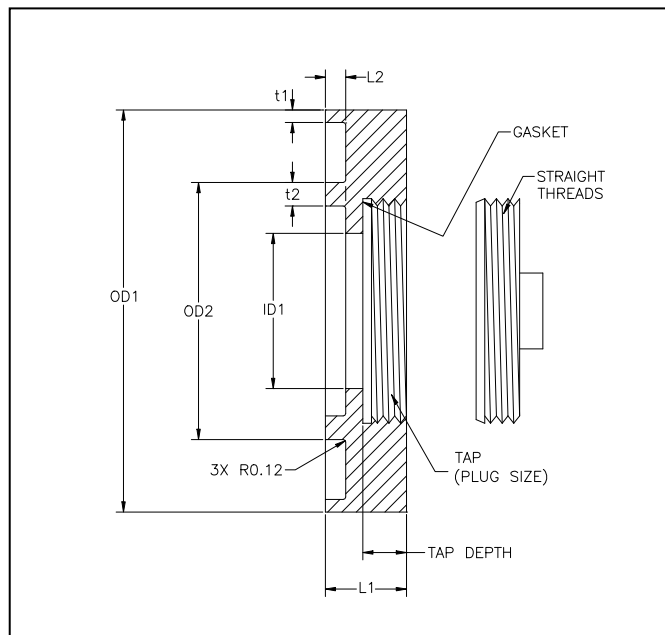
ASAHI/AMERICA®

Duo-Pro Double Contained Piping Systems

Pro150x150

Cleanout with Light Weight (Straight THD) Plug

Part Number _____+(size code)



SIZE (Size Code)	OD2 (in.)	OD1 (in.)	L1 (in.)	L2 (in.)	ID1 (in.)	t2 (in.)	t1 (in.)	TAP (in.)	TAP DEPTH (in.)
1 x 3 (134)	1.26	3.54	3.0	.50	1.00	.118	.323	2	0.93
2 x 4 (420)	2.48	4.33	3.0	.50	2.00	.228	.394	3	1.12
3 x 6 (531)	3.54	6.30	3.0	.50	2.50	.323	.575	4	1.26
4 x 8 (583)	4.33	7.87	3.0	.50	3.00	.394	.717	4	1.26
6 x 10 (627)	6.30	9.84	3.0	.50	5.00	.575	.894	6	1.52
8 x 12 (660)	7.87	12.40	3.0	.50	5.00	.717	1.126	6	1.52
10 x 14 (702)	9.84	13.98	2.25	.50	5.00	.898	1.268	6	1.52

NOTE: THE LIGHTWEIGHT STRAIGHT THREAD PLUG IS RATED FOR 5PSI (DRAINAGE)

Asahi/America, Inc. 35 Green St. Malden MA 02148 Office 1-781-321-5409 Fax 1-781-321-4421

Email: asahi@asahi-america.com

Internet: www.asahi-america.com

REV: C 09/19/2008



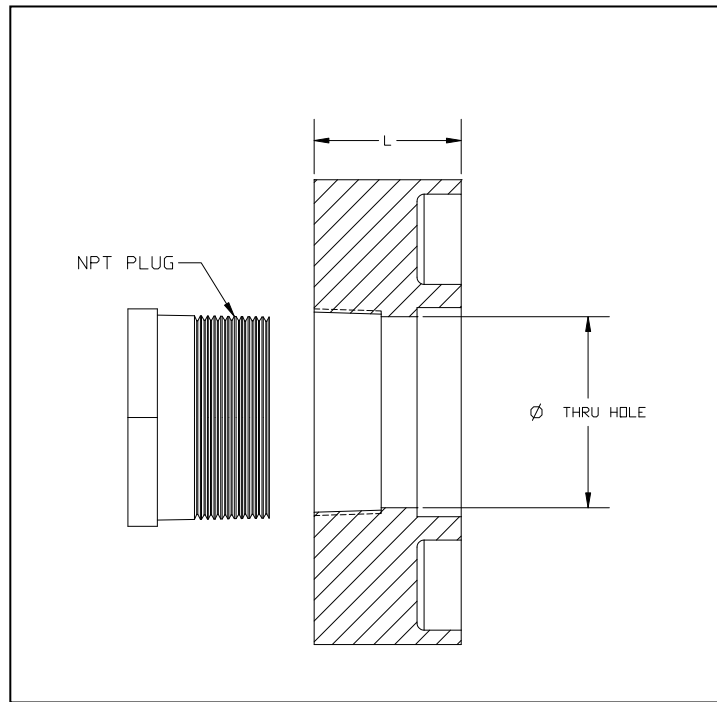
ASAHI/AMERICA®

Duo-Pro Double Contained Piping Systems

Pro150x150

Cleanout with Light Weight (Straight THD) Plug

Part Number _____+(size code)



SIZE (Size Code)	OD2 (in.)	OD1 (in.)	L1 (in.)	L2 (in.)	ID1 (in.)	t2 (in.)	t1 (in.)	TAP (in.)	TAP DEPTH (in.)
1 x 3 (134)	1.26	3.54	3.0	.50	1.00	.118	.323	2	0.93
2 x 4 (420)	2.48	4.33	3.0	.50	2.00	.228	.394	3	1.12
3 x 6 (531)	3.54	6.30	3.0	.50	2.50	.323	.575	4	1.26
4 x 8 (583)	4.33	7.87	3.0	.50	3.00	.394	.717	4	1.26
6 x 10 (627)	6.30	9.84	3.0	.50	5.00	.575	.894	6	1.52
8 x 12 (660)	7.87	12.40	3.0	.50	5.00	.717	1.126	6	1.52
10 x 14 (702)	9.84	13.98	2.25	.50	5.00	.898	1.268	6	1.52

NOTE: THE LIGHTWEIGHT STRAIGHT THREAD PLUG IS RATED FOR 5PSI (DRAINAGE)

Asahi/America, Inc. 35 Green St. Malden MA 02148 Office 1-781-321-5409 Fax 1-781-321-4421

Email: asahi@asahi-america.com

Internet: www.asahi-america.com

REV: C 09/19/2008



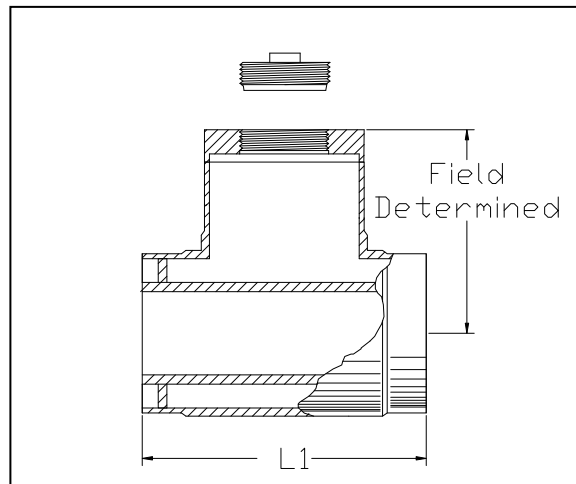
ASAHI/AMERICA®

Duo-Pro Double Contained Piping Systems

Pro150x150

Access Tee W/Threaded Plug

Part Number 5204+(size code)



SIZE (Size Code)	L1 (in.)
1 x 3 (134)	8.15
2 x 4 (420)	9.45
3 x 6 (531)	12.40
4 x 8 (583)	15.59
6 x 10 (627)	18.50
8 x 12 (660)	21.26
10 x 14 (702)	26.57

Asahi/America, Inc. 35 Green St. Malden MA 02148 Office 1-781-321-5409 Fax 1-781-321-4421

Email: asahi@asahi-america.com

Internet: www.asahi-america.com

REV: C 09/19/2008

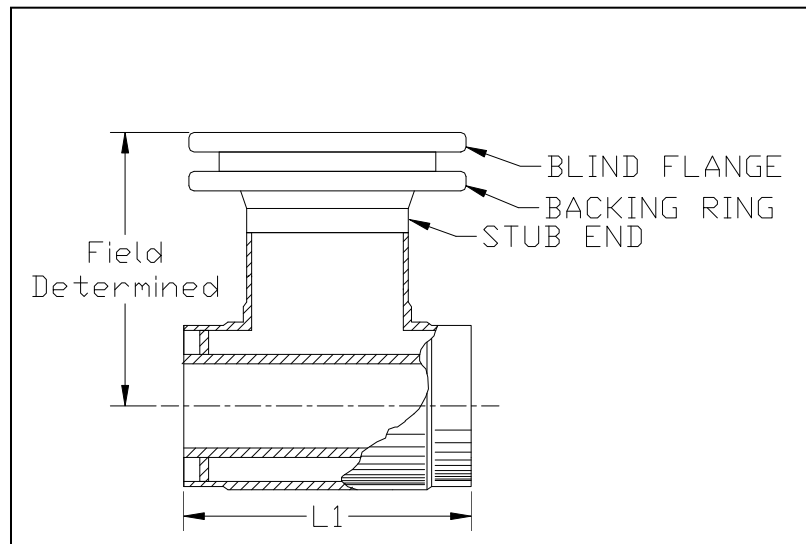


Duo-Pro Double Contained Piping Systems

Pro150x150

Access Tee W/Flanged Cover

Part Number 5202+(size code)



SIZE (Size Code)	L1 (in.)
1 x 3 (134)	8.15
2 x 4 (420)	9.45
3 x 6 (531)	12.40
4 x 8 (583)	15.59
6 x 10 (627)	18.50
8 x 12 (660)	21.26
10 x 14 (702)	26.57

Asahi/America, Inc. 35 Green St. Malden MA 02148 Office 1-781-321-5409 Fax 1-781-321-4421

Email: asahi@asahi-america.com

Internet: www.asahi-america.com

REV: C 09/19/2008



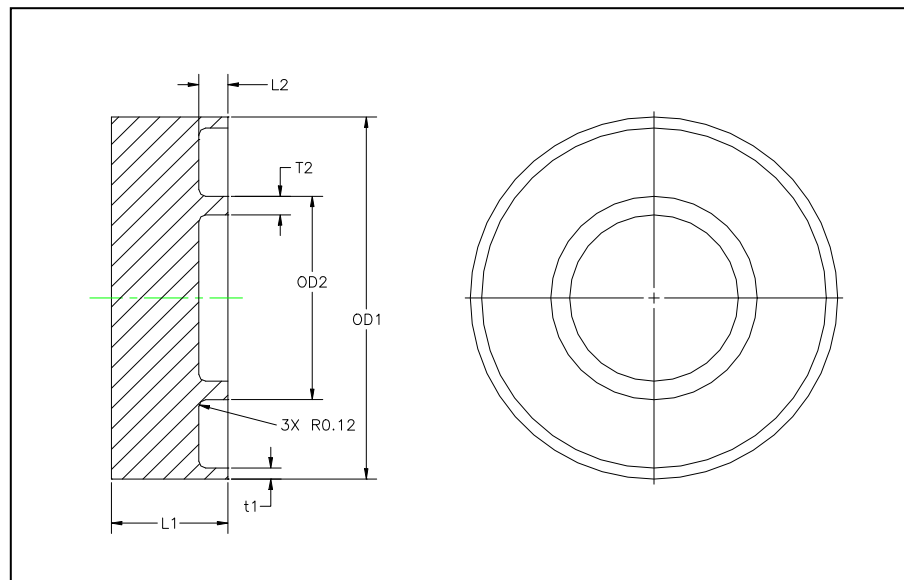
ASAHI/AMERICA®

Duo-Pro Double Contained Piping Systems

Pro150x150

Cap

Part Number 5220+(size code)



SIZE (Size Code)	OD2 (in.)	OD1 (in.)	L1 (in.)	L2 (in.)	t2 (in.)	t1 (in.)
1 x 3 (134)	1.26	3.54	2.0	.50	.118	.323
2 x 4 (420)	2.48	4.33	2.0	.50	.228	.394
3 x 6 (531)	3.54	6.30	2.0	.50	.323	.575
4 x 8 (583)	4.33	7.87	2.0	.50	.394	.717
6 x 10 (627)	6.30	9.84	2.0	.50	.575	.894
8 x 12 (660)	7.87	12.4	2.0	.50	.717	1.126
10 x 14 (702)	9.84	13.98	2.0	.50	.894	1.268

Asahi/America, Inc. 35 Green St. Malden MA 02148 Office 1-781-321-5409 Fax 1-781-321-4421

Email: asahi@asahi-america.com

Internet: www.asahi-america.com

REV: C 09/19/2008

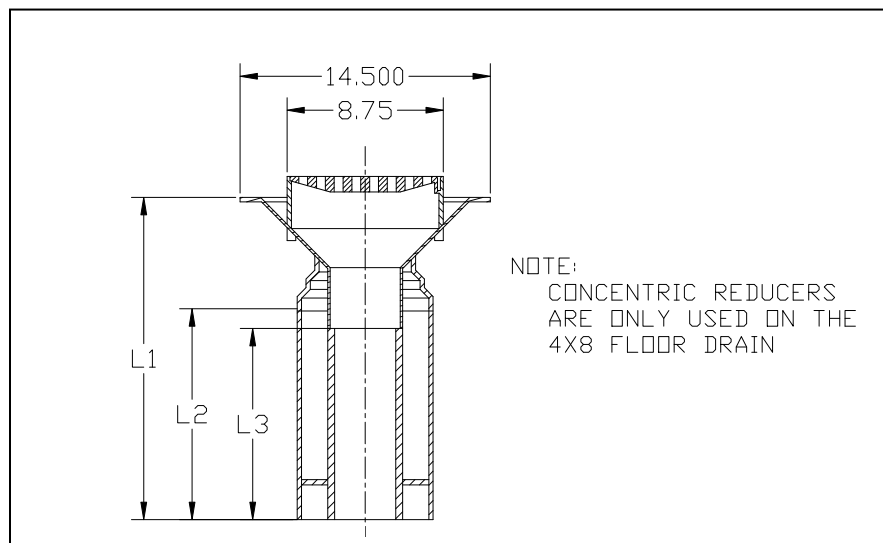


Duo-Pro Double Contained Piping Systems

Pro150x150

ADJ- Floor Drain

Part Number 5260+(size code)



SIZE (Size Code)	L1 (in.)	L2 (in.)	L3 (in.)
2 x 4 (420)	18.0	15.5	6.0 + 3x2 EXT. LEG REDUCER
3 x 6 (531)	18.0	15.75	11.75
4 x 8 (583)	18.0	12	11.25
6 x 10 (627)	18.0	17	12

Asahi/America, Inc. 35 Green St. Malden MA 02148 Office 1-781-321-5409 Fax 1-781-321-4421

Email: asahi@asahi-america.com

Internet: www.asahi-america.com

REV: C 09/19/2008