

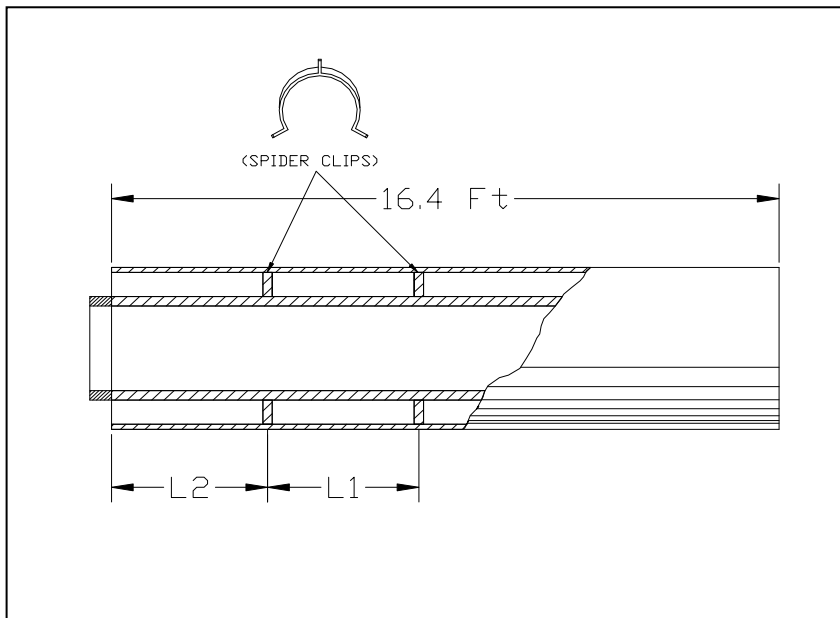


ASAHI/AMERICA®

Duo-Pro Double Contained Piping Systems

PVDF x PRO 45 Staggered Pipe

Part
Number
6123+(size
code)



SIZE (Size Code)	L1 (ft.)	L2 (ft.)	# Spider Clips
2 x 4 (420)	3.50	3.0	4
3 x 6 (531)	5.25	3.0	3
4 x 8 (583)	5.25	3.0	3
6 x 10 (627)	5.25	3.0	3
8 x 12 (660)	5.25	3.0	3
10 x 14 (702)	5.25	3.0	3
12 x 16 (690)	5.25	3.0	3

Note:

The Spider Clips are Polypropylene



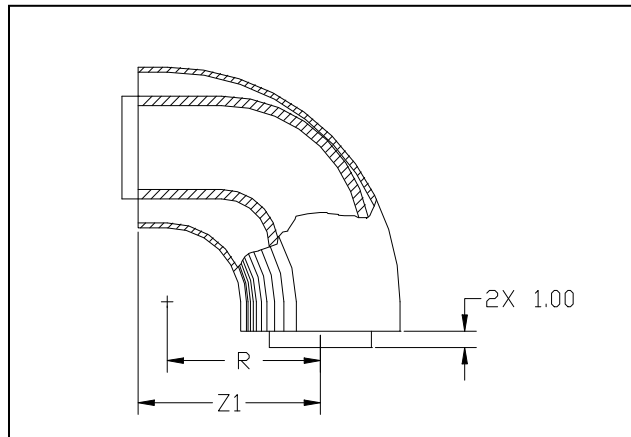
ASAHI/AMERICA®

Duo-Pro Double Contained Piping Systems

PVDF x PRO 45

90° ELBOW

Part Number 6103+(size code)



SIZE (Size Code)	Z1 (in.)	R (in.)
2 x 4 (420)	4.72	4.33
3 x 6 (531)	6.69	6.10
4 x 8 (583)	8.66	7.76
6 x 10 (627)	11.41	10.43
8 x 12 (660)	13.38	11.81
10 x 14 (702)	13.39	11.81
12 x 16 (690)	13.58	11.81



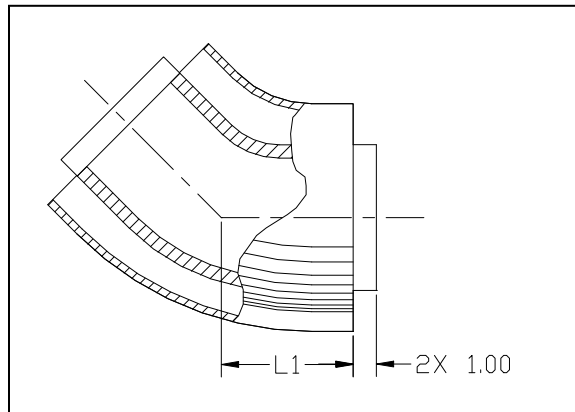
ASAHI/AMERICA®

Duo-Pro Double Contained Piping Systems

PVDF x PRO 45

45° ELBOW

Part Number 6101+(size code)



SIZE (Size Code)	L1 (in.)
2 x 4 (420)	5.00
3 x 6 (531)	6.00
4 x 8 (583)	6.00
6 x 10 (627)	6.00
8 x 12 (660)	6.50
10 x 14 (702)	10.00
12 x 16 (690)	12.00

Note:

Containment Fittings are Segmented



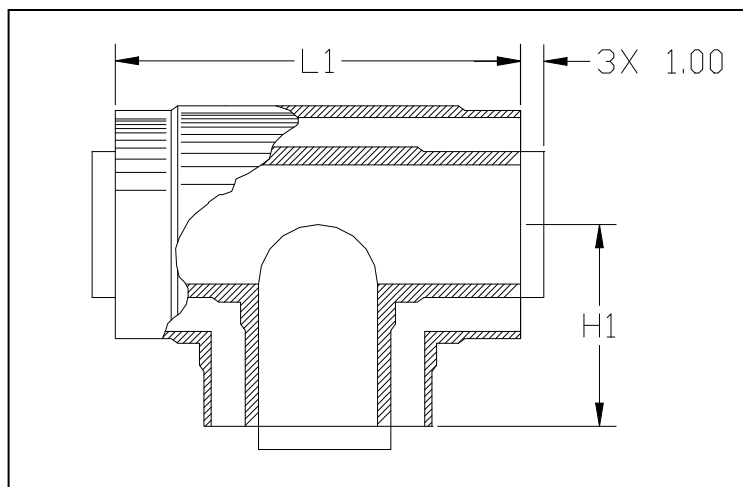
ASAHI/AMERICA®

Duo-Pro Double Contained Piping Systems

PVDF x PRO 45

45° TEE

Part Number 6105+(size code)



SIZE (Size Code)	L1 (in.)	H1 (in.)
2 x 4 (420)	8.46	4.29
3 x 6 (531)	10.94	5.51
4 x 8 (583)	13.39	6.69
6 x 10 (627)	17.25	8.66
8 x 12 (660)	21.00	10.65
10 x 14 (702)	26.93	13.46
12 x 16 (690)	27.36	13.78



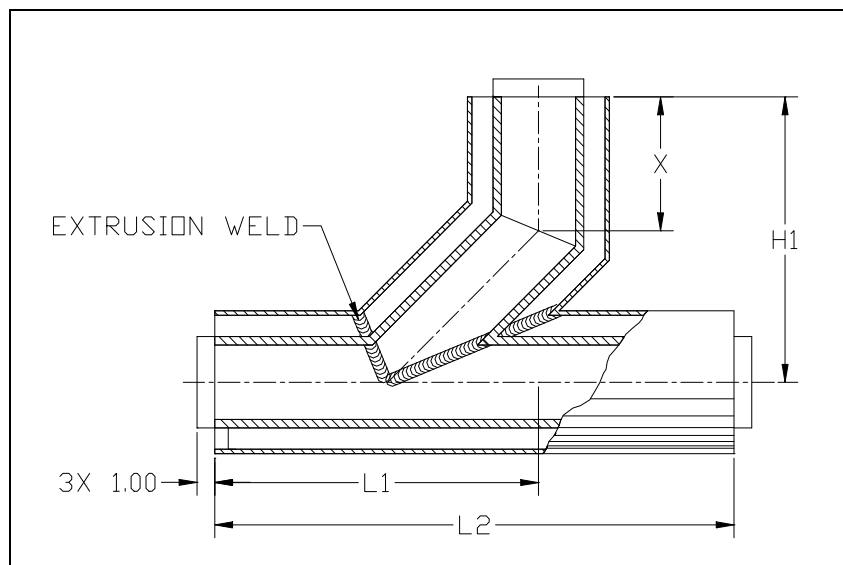
ASAHI/AMERICA®

Duo-Pro Double Contained Piping Systems

PVDF x PRO 45

45° Sanitary Tee

Part Number 6113+(size code)



SIZE (Size Code)	L1 (in.)	L2 (in.)	H1 (in.)	X (in.)
2 x 4 (420)	12	18	9	3
3 x 6 (531)	16	24	12.50	4.50
4 x 8 (583)	20	30	15.50	5.25
6 x 10 (627)	24	36	18.50	6.50
8 x 12 (660)	28	42	21.75	7.75
10 x 14 (702)	32	48	24.25	8.25
12 x 16 (690)	36	54	28.00	10.00



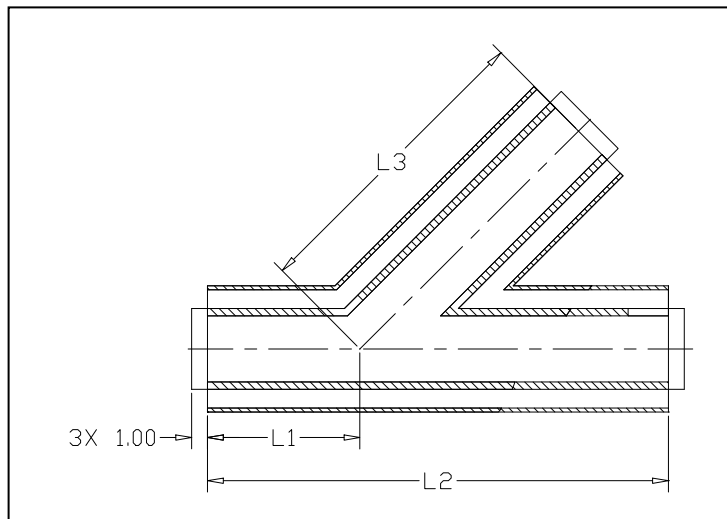
ASAHI/AMERICA®

Duo-Pro Double Contained Piping Systems

PVDF x PRO 45

45° Lateral

Part Number 6109+(size code)



SIZE (Size Code)	L1 (in.)	L2 (in.)	L3 (in.)
2 x 4 (420)	6	18	12
3 x 6 (531)	8	24	16
4 x 8 (583)	10	30	20
6 x 10 (627)	12	36	24
8 x 12 (660)	14	42	28
10 x 14 (702)	16	48	32
12 x 16 (690)	18	54	36

Note:

Containment Lateral is Extrusion welded



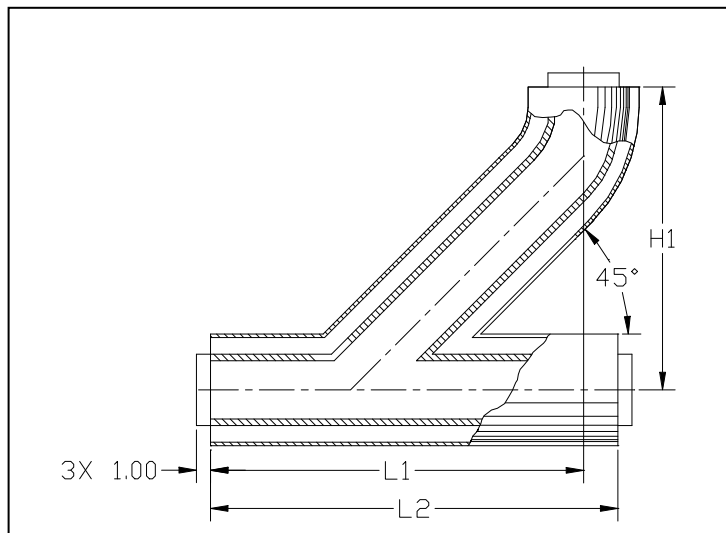
ASAHI/AMERICA®

Duo-Pro Double Contained Piping Systems

PVDF x PRO 45

45° Lateral w/1/8 Bend

Part Number 6111+(size code)



SIZE (Size Code)	L1 (in.)	L2 (in.)	H1 (in.)
2 x 4 (420)	18.0	18.0	16.5
3 x 6 (531)	23.25	24.0	21.5
4 x 8 (583)	28.5	30.0	24.0
6 x 10 (627)	33.0	36.0	26.75
8 x 12 (660)	38.125	42.0	30.375
10 x 14 (702)	45.5	48.0	39.125
12 x 16 (690)	51.75	54.0	45.375

Note:

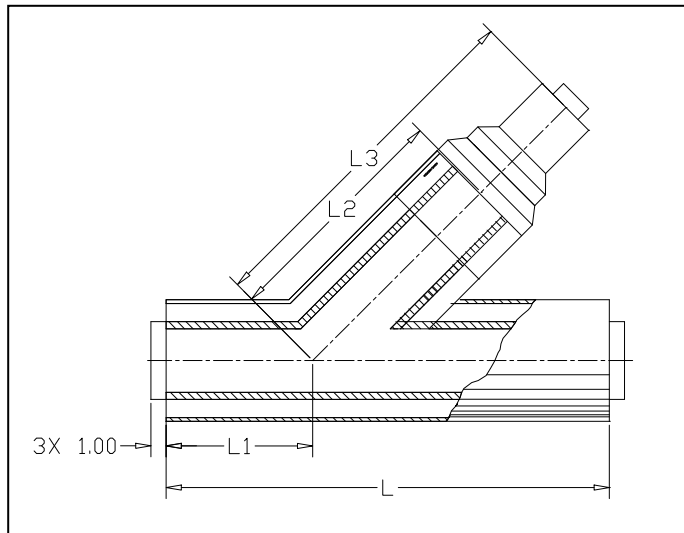
Containment Lateral is Extrusion Welded



ASAHI/AMERICA®

Duo-Pro Double Contained Piping Systems

PVDF x PRO 45
45° Reducing Lateral
 Part Number 6119+(size code)



SIZE (Size Code)	L1 (in.)	L (in.)	L2 (in.)	L3 (in.)
[3x2][6x4](743)	8	24	10.25	16.50
[4x2][8x4](744)	10	30	16.5	25.25
[4x3][8x6](746)	10	30	16.5	22.00
[6x2][10x4](892)	12	36	18.25	31.75
[6x3][10x6](747)	12	36	18.25	27.00
[6x4][10x8](748)	12	36	18.25	25.25
[8x2][12x4](890)	14	42	22.75	36.37
[8x3][12x6](896)	14	42	22.75	34.50
[8x4][12x8](895)	14	42	22.75	32.75
[8x6][12x10](893)	14	42	22.75	29.75
[10x3][14x16](898)	16	48	25	40.37
[10x4][14x8](903)	16	48	25	37.50
[10x6][14x10](902)	16	48	25	34.50
[10x8][14x12](899)	16	48	25	30.50
[12X4][16X8](924)	18	54	29	45.00
[12x4][16x8](904)	18	54	29	43.50
[12x6][16x10](915)	18	54	29	40.50
[12x8][16x12](910)	18	54	29	36.15
[12x10][16x14](910)	18	54	29	35.50

Note:

Containment Lateral is Extrusion Welded

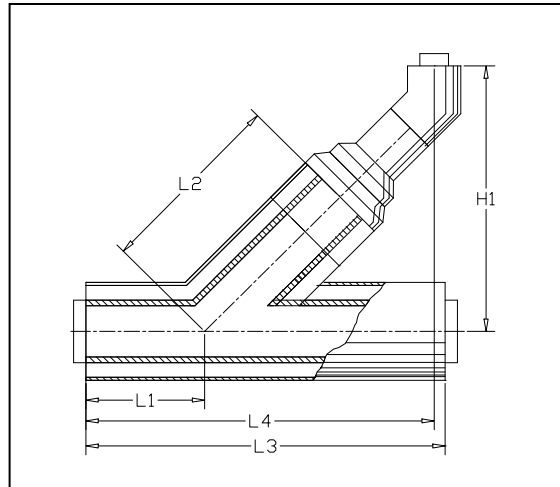


ASAHI/AMERICA®

Duo-Pro Double Contained Piping Systems

PVDF x PRO 45 45° Reducing Lateral w/1/8 bend

Part Number 6121+(size code)



SIZE (Size Code)	L1 (in.)	L2 (in.)	L3 (in.)	L4 (in.)	H1 (in.)
[3x2][6x4](743)	8	10.25	24	21.50	20.25
[4x2][8x4](744)	10	16.50	30	30.00	26.25
[4x3][8x6](746)	10	16.50	36	28.00	25.75
[6x3][10x6](747)	12	18.25	36	32.75	29.25
[6x4][10x8](748)	12	18.25	36	31.00	28.00
[8x3][12x6](896)	14	22.75	42	40.50	34.75
[8x4][12x8](895)	14	22.75	42	38.75	33.50
[8x6][12x10](893)	14	22.75	42	35.75	31.25
[10x4][14x8](903)	16	25.00	48	43.50	37.00
[10x6][14x10](902)	16	25.00	48	40.50	34.50
[10x8][14x12](899)	16	25.00	48	37.00	32.00
[12x4][16x8](904)	18	26.50	54	47.00	39.00
[12x6][16x10](915)	18	26.50	54	44.00	37.00
[12x8][16x12](910)	18	26.50	54	41.50	35.00

Note:

Containment Lateral is Extrusion Welded



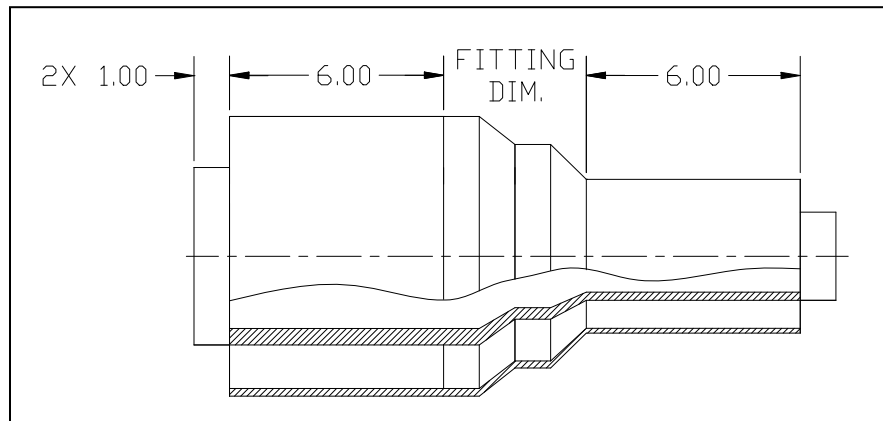
ASAHI/AMERICA®

Duo-Pro Double Contained Piping Systems

PVDF x PRO 45

Concentric Reducer

Part Number 6115+(size code)



SIZE (Size Code)	L1 (in.)
[3x2][6x4] (743)	15.25
[4x2][8x4] (744)	17.75
[4x3][8x6] (746)	14.50
[6x4][10x8] (748)	15.75
[6x3][10x6] (747)	17.50
[6x2][10x4] (892)	21.00
[8x6][12x10] (893)	16.00
[8x4][12x8] (895)	19.00
[8x3][12x6] (896)	21.00
[10x8][14x12] (899)	14.50
[10x6][14x10] (902)	18.50
[10x4][14x8] (903)	21.50



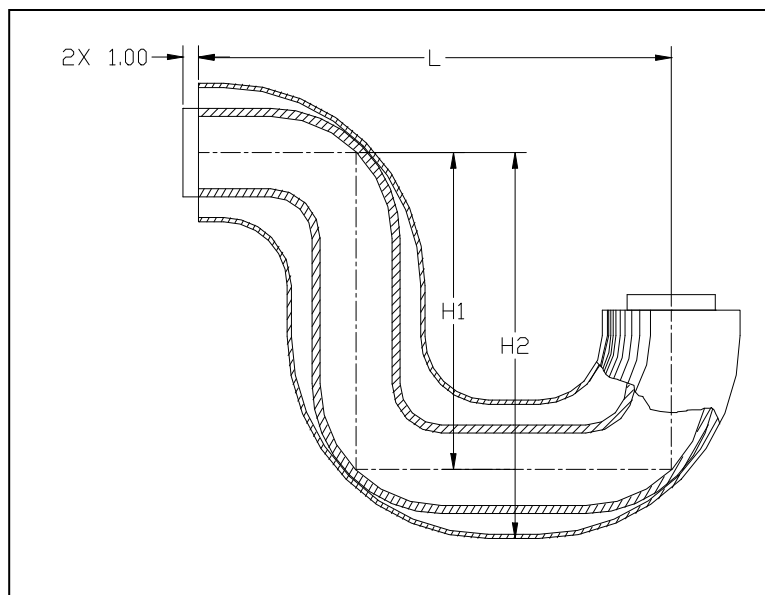
ASAHI/AMERICA®

Duo-Pro Double Contained Piping Systems

PVDF x PRO 45

P-Trap

Part Number 6107+(size code)



SIZE (Size Code)	L (in.)	H1 (in.)	H2 (in.)
2 x 4 (420)	14.25	9.25	11.75
3 x 6 (531)	21.00	13.75	17.50
4 x 8 (583)	25.50	17.00	21.00
6 x 10 (627)	34.00	22.50	27.50
8 x 12 (660)	39.87	26.50	32.43



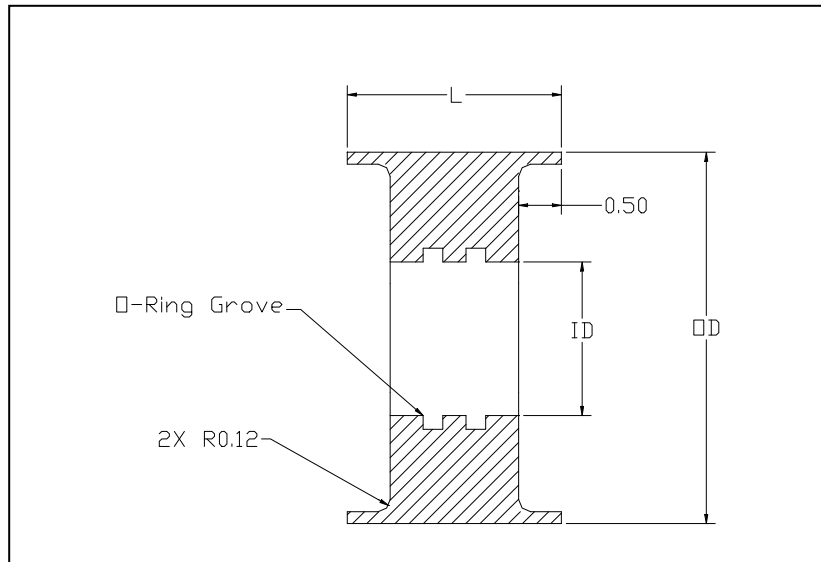
ASAHI/AMERICA®

Duo-Pro Double Contained Piping Systems

PVDF x PRO 45

Solid Dogbone

Part Number 6132+(size code)



SIZE (Size Code)	OD (in.)	ID (in.)	L (in.)
2 x 4 (420)	4.33	2.56	3.0
3 x 6 (531)	6.30	3.62	3.0
4 x 8 (583)	7.87	4.41	3.0
6 x 10 (627)	9.84	6.38	3.0
8 x 12 (660)	12.40	7.96	3.0
10 x 14 (702)	13.98	9.92	2.25
12 x 16 (690)	15.75	12.48	2.25



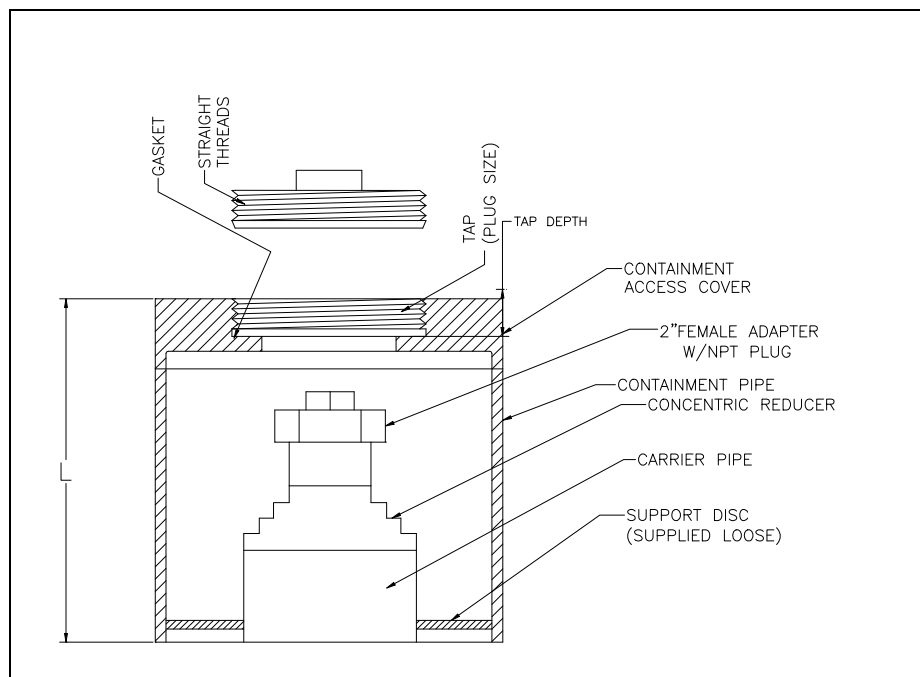
ASAHI/AMERICA®

Duo-Pro Double Contained Piping Systems

PVDF x PRO 45

Cleanout with Plug

Part Number 6177+(size code)



SIZE (Size Code)	L1 (in.)	TAP (in.)	TAP DEPTH (in.)
2 x 4 (420)	12.0	3	1.12
3 x 6 (531)	12.0	4	1.26
4 x 8 (583)	12.0	4	1.26
6 x 10 (627)	12.0	6	1.52

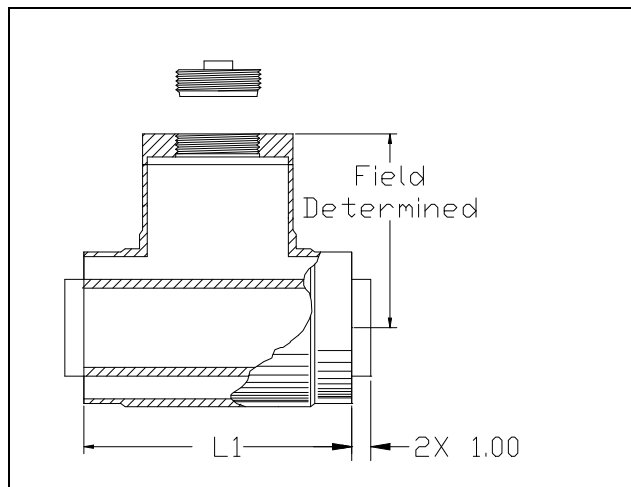


Duo-Pro Double Contained Piping Systems

PVDF x PRO 45

Access Tee W/Threaded Plug

Part Number 6104+(size code)



SIZE (Size Code)	L1 (in.)
2 x 4 (420)	8.46
3 x 6 (531)	10.49
4 x 8 (583)	13.39
6 x 10 (627)	17.24
8 x 12 (660)	21.06
10 x 14 (702)	26.93
12 x 16 (690)	27.36



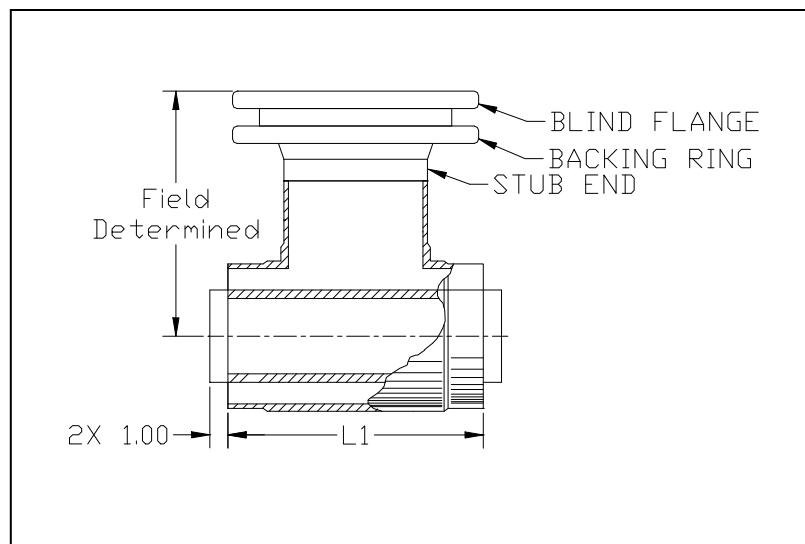
ASAHI/AMERICA®

Duo-Pro Double Contained Piping Systems

PVDF x PRO 45

Access Tee W/Flanged Cover

Part Number 6102+(size code)



SIZE (Size Code)	L1 (in.)
2 x 4 (420)	8.47
3 x 6 (531)	10.49
4 x 8 (583)	13.39
6 x 10 (627)	17.25
8 x 12 (660)	21.06
10 x 14 (702)	26.93
12 x 16 (690)	27.36



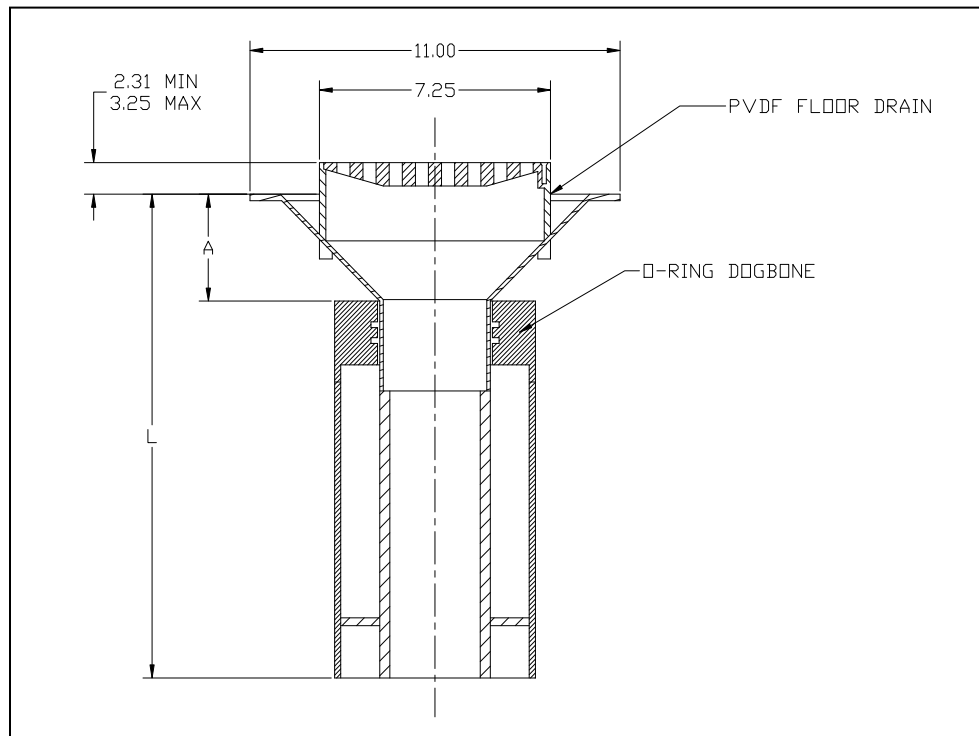
ASAHI/AMERICA®

Duo-Pro Double Contained Piping Systems

Pro150x45

NON ADJ- Floor Drain

Part Number 6130+(size code)



SIZE (Size Code)	L1 (in.)	A (in.)
2 x 4 (420)	18.0	4.50
3 x 6 (531)	18.0	4.60
4 x 8 (583)	18.0	4.87
6 x 10 (627)	18.0	3.65

Asahi/America, Inc. 35 Green St. Malden MA 02148 Office 1-781-321-5409 Fax 1-781-321-4421

Email: asahi@asahi-america.com

Internet: www.asahi-america.com

REV: C 09/19/2008