



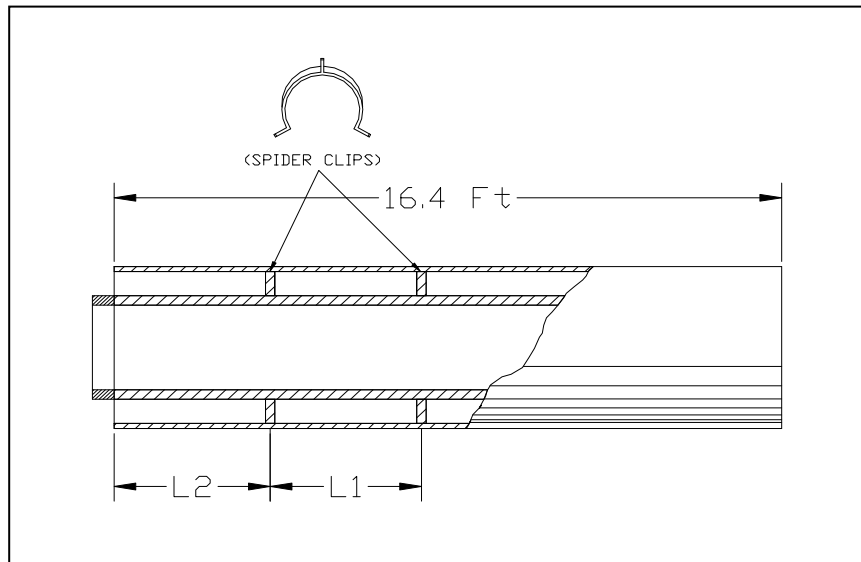
ASAHI/AMERICA®

Duo-Pro Double Contained Piping Systems

PVDF x PRO 150

Simultaneous Pipe

Part Number 6023+(size code)



SIZE (Size Code)	L1 (ft.)	L2 (ft.)	# Spider Clips
1 x 3 (134)	3.75	2.5	4
2 x 4 (420)	3.50	3.0	4
3 x 6 (531)	5.25	3.0	3
4 x 8 (583)	5.25	3.0	3
6 x 10 (627)	5.25	3.0	3
8 x 12 (660)	5.25	3.0	3
10 x 14 (702)	5.25	3.0	3

Note:

The Spider Clips are Polypropylene



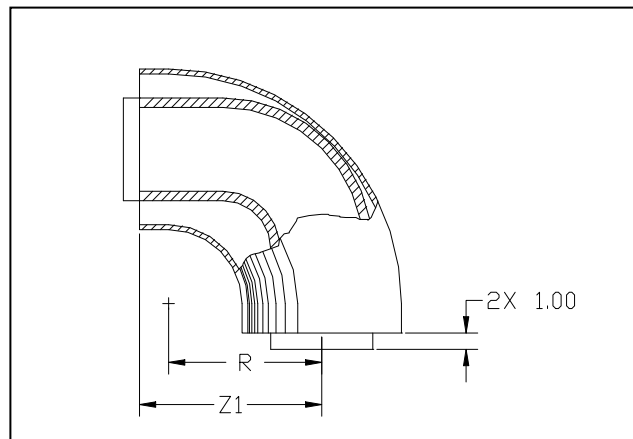
ASAHI/AMERICA®

Duo-Pro Double Contained Piping Systems

PVDF x PRO 150

90° ELBOW

Part Number 6003+(size code)



SIZE (Size Code)	Z1 (in.)	R (in.)
1 x 3 (134)	3.94	3.35
2 x 4 (420)	4.88	4.13
3 x 6 (531)	7.08	6.10
4 x 8 (583)	7.87	7.68
6 x 10 (627)	11.22	10.04
8 x 12 (660)	13.39	11.81
10 x 14 (702)	13.40	11.81

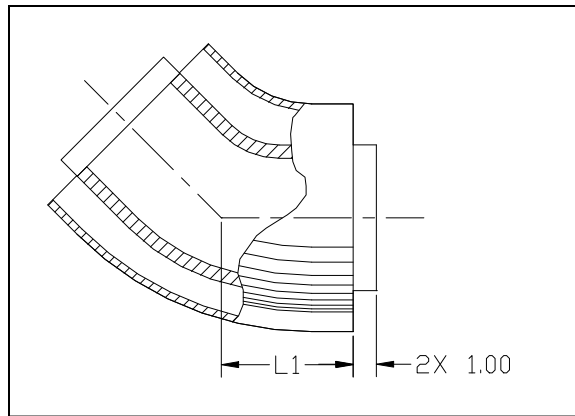


Duo-Pro Double Contained Piping Systems

PVDF X PRO 150

45° ELBOW

Part Number 6001+(size code)



SIZE (Size Code)	L1 (in.)
1 x 3 (134)	4.00
2 x 4 (420)	4.25
3 x 6 (531)	6.00
4 x 8 (583)	6.50
6 x 10 (627)	8.50
8 x 12 (660)	10.00
10 x 14* (702)	8.50

*14" CONTAINMENT IS
SEGMENTED



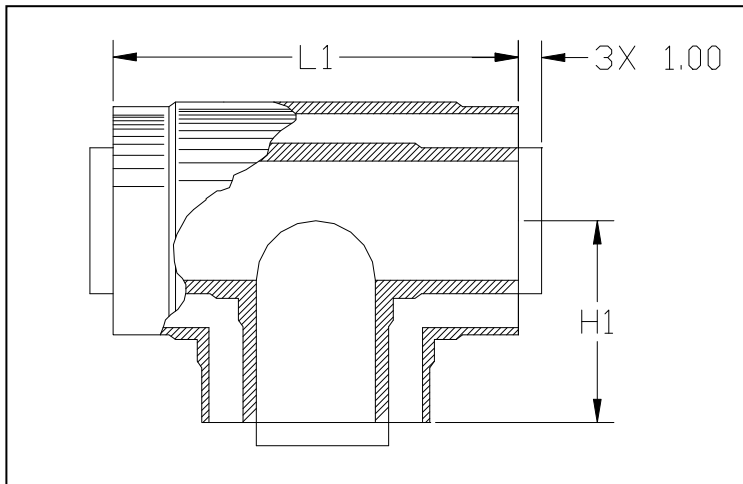
ASAHI/AMERICA®

Duo-Pro Double Contained Piping Systems

PVDF x PRO 150

TEE

Part Number 6005+(size code)



SIZE (Size Code)	L1 (in.)	H1 (in.)
1 x 3 (134)	8.15	4.17
2 x 4 (420)	9.45	4.72
3 x 6 (531)	12.40	6.30
4 x 8 (583)	15.59	7.80
6 x 10 (627)	18.50	9.25
8 x 12 (660)	21.26	10.83
10 x 14 (702)	26.57	13.46

Asahi/America, Inc. 35 Green St. Malden MA 02148 Office 1-781-321-5409 Fax 1-781-321-4421

Email: asahi@asahi-america.com

Internet: www.asahi-america.com

REV: C 09/19/2008



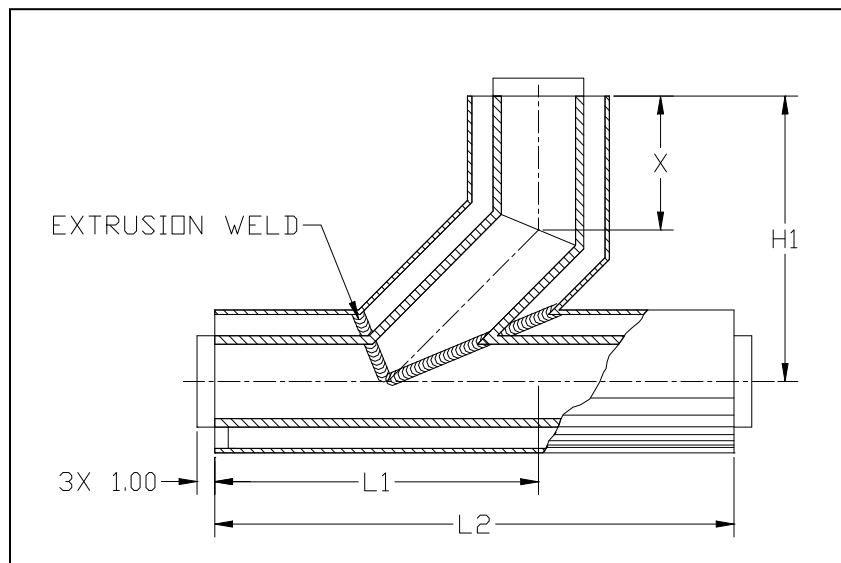
ASAHI/AMERICA®

Duo-Pro Double Contained Piping Systems

PVDF x PRO 150

45° Sanitary Tee

Part Number 6013+(size code)



SIZE (Size Code)	L1 (in.)	L2 (in.)	H1 (in.)	X (in.)
2 x 4 (420)	12	18	9	3
3 x 6 (531)	16	24	12.50	4.50
4 x 8 (583)	20	30	15.50	5.25
6 x 10 (627)	24	36	18.50	6.50
8 x 12 (660)	28	42	21.75	7.75



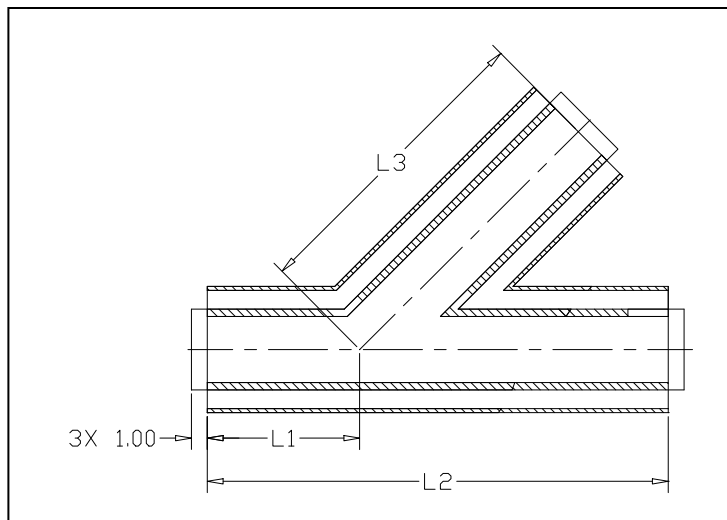
ASAHI/AMERICA®

Duo-Pro Double Contained Piping Systems

PVDF x PRO 150

45° Lateral

Part Number 6009+(size code)



SIZE (Size Code)	L1 (in.)	L2 (in.)	L3 (in.)
1 x 3 (134)	6	18	12
2 x 4 (420)	6	18	12
3 x 6 (531)	8	24	16
4 x 8 (583)	10	30	20
6 x 10 (627)	12	36	24
8 x 12 (660)	14	42	28

Note:

Containment Lateral is Extrusion welded



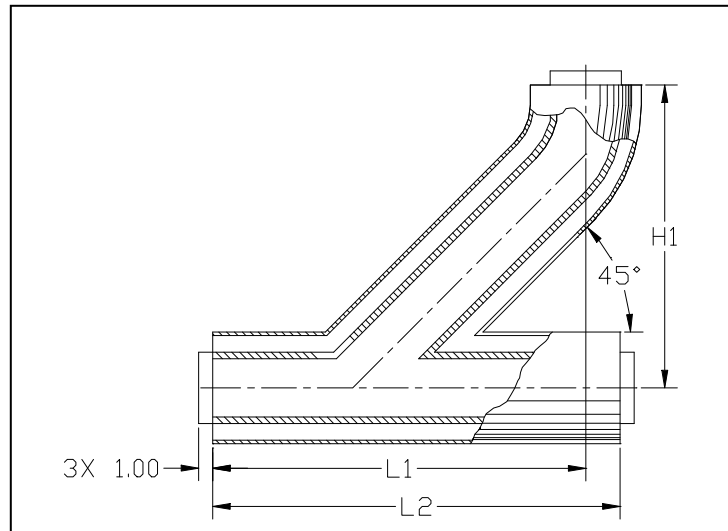
ASAHI/AMERICA®

Duo-Pro Double Contained Piping Systems

PVDF x PRO 150

45° Lateral w/1/8 Bend

Part Number 6011+(size code)



SIZE (Size Code)	L1 (in.)	L2 (in.)	H1 (in.)
1 x 3 (134)	17.25	18.0	15.25
2 x 4 (420)	18.00	18.0	16.50
3 x 6 (531)	23.25	24.0	21.50
4 x 8 (583)	28.50	30.0	25.00
6 x 10 (627)	34.75	36.0	31.25
8 x 12 (660)	40.75	42.0	36.75

Note:

Containment Lateral is Extrusion Welded



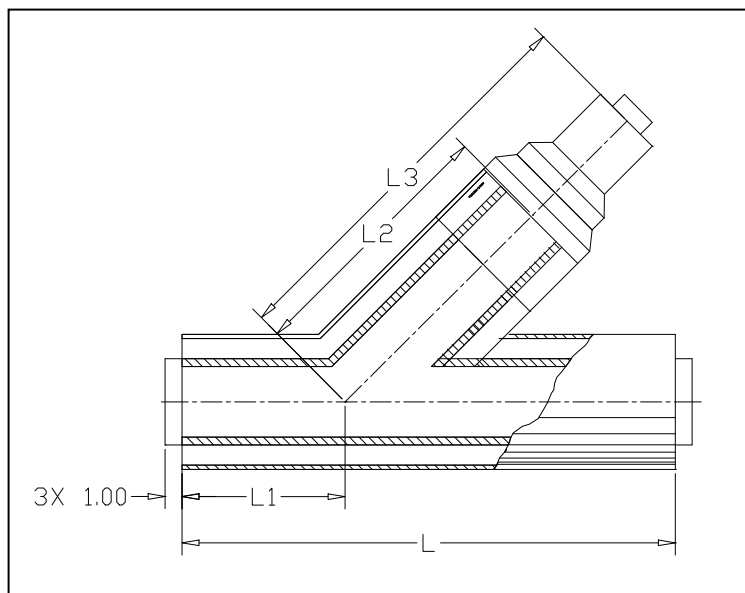
ASAHI/AMERICA®

Duo-Pro Double Contained Piping Systems

PVDF x PRO 150

45° Reducing Lateral

Part Number 6019+(size code)



SIZE (Size Code)	L1 (in.)	L (in.)	L2 (in.)	L3 (in.)
[3x2][6x4](743)	8	24	10.25	16.50
[4x2][8x4](744)	10	30	16.5	25.25
[4x3][8x6](746)	10	30	16.5	22.00
[6x3][10x6](747)	12	36	18.25	27.00
[6x4][10x8](748)	12	36	18.25	25.25
[8x3][12x6](896)	14	42	22.75	34.50
[8x4][12x8](895)	14	42	22.75	32.75
[8x6][12x10](893)	14	42	22.75	29.75

Note:

Containment Lateral is Extrusion Welded

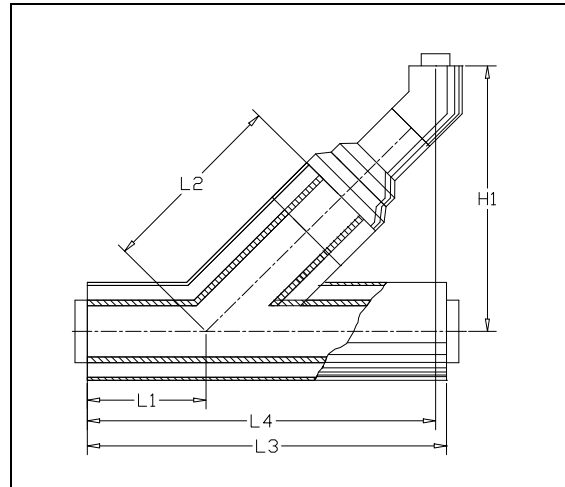


ASAHI/AMERICA®

Duo-Pro Double Contained Piping Systems

PVDF x PRO 150
45° Reducing Lateral
W/1/8 bend

Part Number 6021+(size code)



SIZE (Size Code)	L1 (in.)	L2 (in.)	L3 (in.)	L4 (in.)	H1 (in.)
[3x2][6x4](743)	8	10.25	24	21.50	20.25
[4x2][8x4](744)	10	16.50	30	30.00	26.25
[4x3][8x6](746)	10	16.50	36	28.00	25.75
[6x3][10x6](747)	12	18.25	36	32.75	29.25
[6x4][10x8](748)	12	18.25	36	31.00	28.00
[8x3][12x6](896)	14	22.75	42	40.50	34.75
[8x4][12x8](895)	14	22.75	42	38.75	33.50
[8x6][12x10](893)	14	22.75	42	35.75	31.25

Note:

Containment Lateral is Extrusion Welded



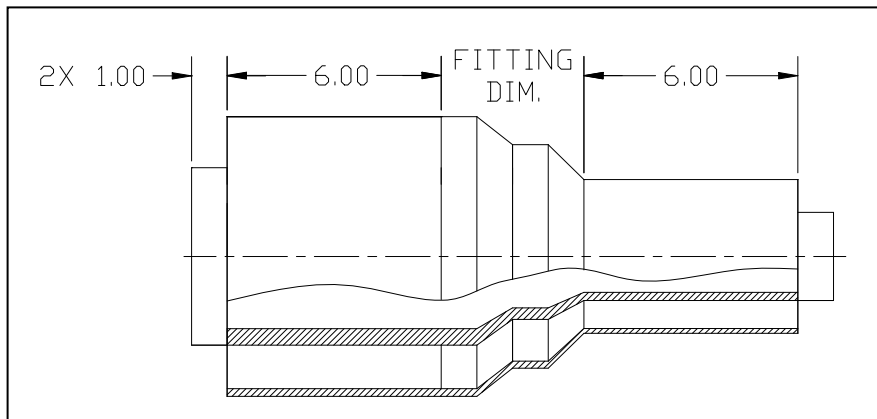
ASAHI/AMERICA®

Duo-Pro Double Contained Piping Systems

PVDF x PRO 150

Concentric Reducer

Part Number 6015+(size code)



SIZE (Size Code)	L1 (in.)
[3x1][6x3] (741)	16.50
[3x2][6x4] (743)	15.25
[4x4][8x4] (744)	17.75
[4x3][8x6] (746)	14.50
[6x4][10x8] (748)	15.75
[6x3][10x6] (747)	17.75
[6x2][10x4] (892)	19.00
[8x6][12x10] (893)	16.00
[8x4][12x8] (895)	19.00
[8x3][12x6] (896)	21.00



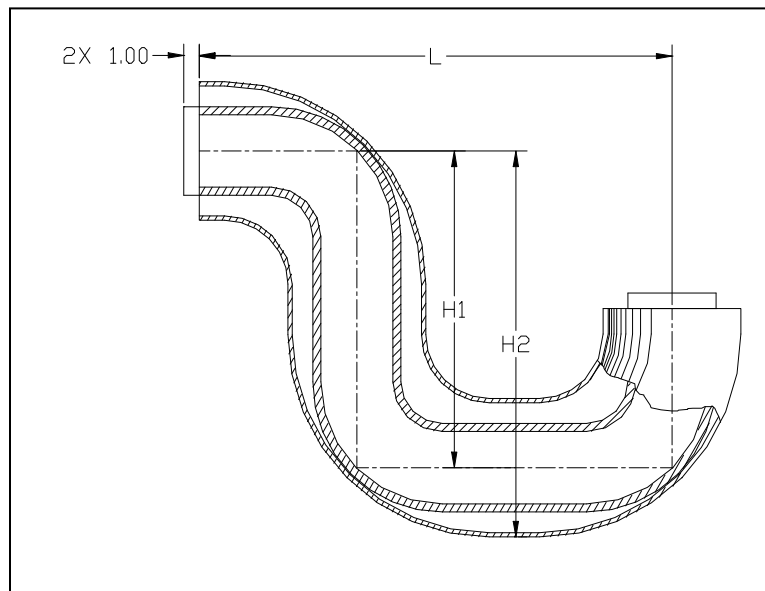
ASAHI/AMERICA®

Duo-Pro Double Contained Piping Systems

PVDF x PRO 150

P-Trap

Part Number 6007+(size code)



SIZE (Size Code)	L (in.)	H1 (in.)	H2 (in.)
1 x 3 (134)	11.57	7.63	9.40
2 x 4 (420)	14.42	9.53	11.70
3 x 6 (531)	21.02	13.93	17.08
4 x 8 (583)	23.36	15.49	19.43
6 x 10 (627)	33.44	22.21	27.13
8 x 12 (660)	39.95	26.55	32.75



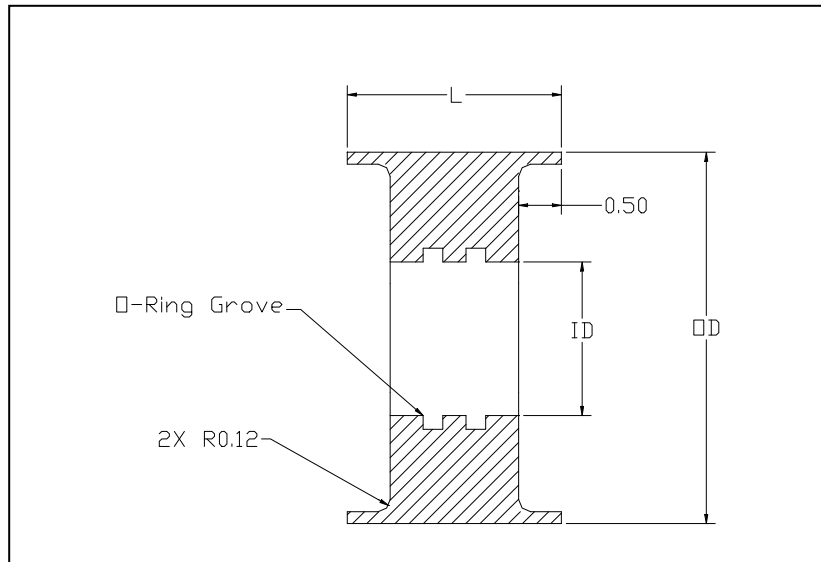
ASAHI/AMERICA®

Duo-Pro Double Contained Piping Systems

PVDF x PRO 150

Solid Dogbone

Part Number 6026+(size code)



SIZE (Size Code)	OD (in.)	ID (in.)	L (in.)
1 x 3 (134)	3.54	1.34	3.0
2 x 4 (420)	4.33	2.56	3.0
3 x 6 (531)	6.30	3.62	3.0
4 x 8 (583)	7.87	4.41	3.0
6 x 10 (627)	9.84	6.38	3.0
8 x 12 (660)	12.40	7.96	3.0
10 x 14 (702)	13.98	9.92	2.25

Asahi/America, Inc. 35 Green St. Malden MA 02148 Office 1-781-321-5409 Fax 1-781-321-4421

Email: asahi@asahi-america.com

Internet: www.asahi-america.com

REV: C 09/19/2008



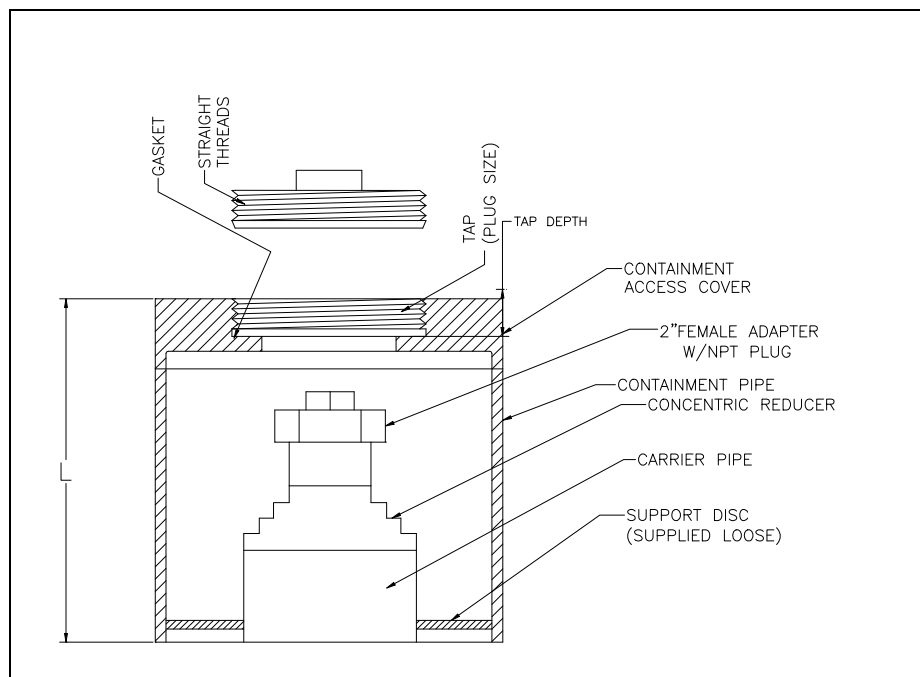
ASAHI/AMERICA®

Duo-Pro Double Contained Piping Systems

PVDF x PRO 150

Cleanout with Plug

Part Number 6032+(size code)



SIZE (Size Code)	L1 (in.)	TAP (in.)	TAP DEPTH (in.)
1 x 3 (134)	12.0	2	0.93
2 x 4 (420)	12.0	3	1.12
3 x 6 (531)	12.0	4	1.26
4 x 8 (583)	12.0	4	1.26
6 x 10 (627)	12.0	6	1.52



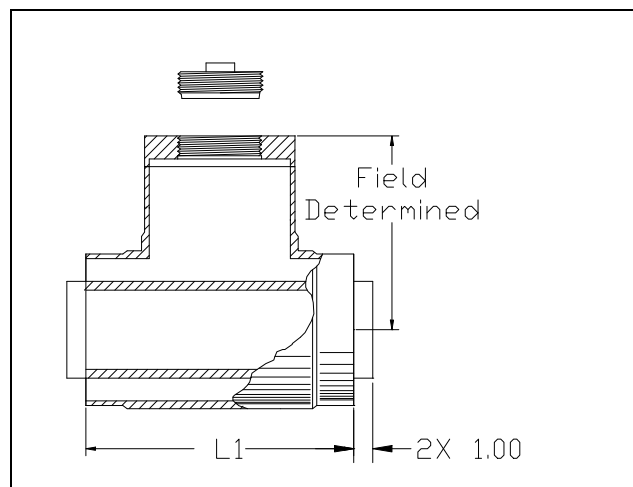
ASAHI/AMERICA®

Duo-Pro Double Contained Piping Systems

PVDF x PRO 150

Access Tee W/Threaded Plug

Part Number 6004+(size code)



SIZE (Size Code)	L1 (in.)
1 x 3 (134)	8.15
2 x 4 (420)	9.45
3 x 6 (531)	12.40
4 x 8 (583)	15.59
6 x 10 (627)	18.50
8 x 12 (660)	21.26
10 x 14 (702)	26.57



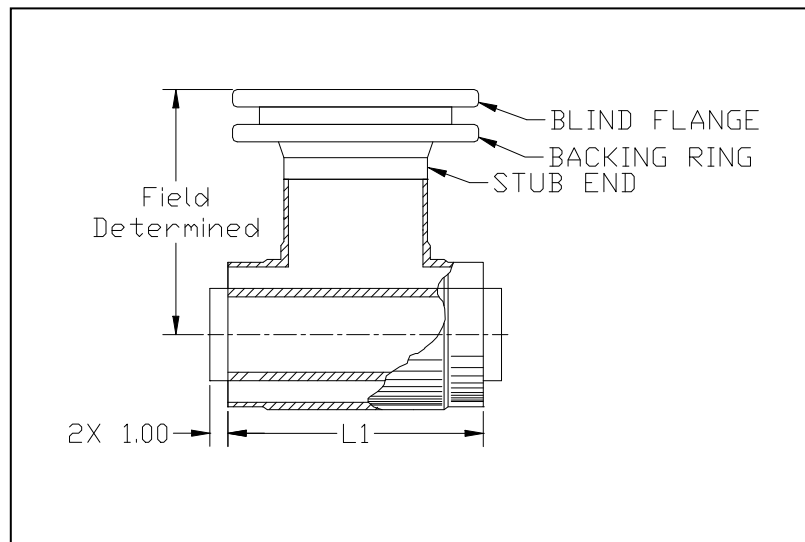
ASAHI/AMERICA®

Duo-Pro Double Contained Piping Systems

PVDF x PRO 150

Access Tee W/Flanged Cover

Part Number 6002+(size code)



SIZE (Size Code)	L1 (in.)
1 x 3 (134)	8.15
2 x 4 (420)	9.45
3 x 6 (531)	12.40
4 x 8 (583)	15.59
6 x 10 (627)	18.50
8 x 12 (660)	21.26
10 x 14 (702)	26.57



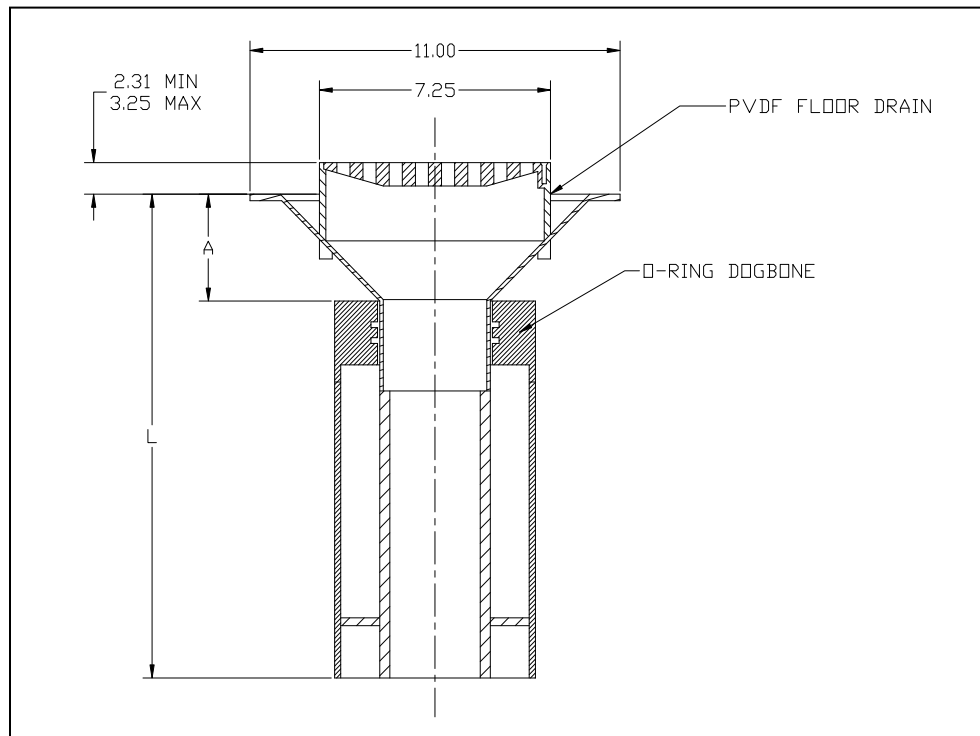
ASAHI/AMERICA®

Duo-Pro Double Contained Piping Systems

PVDF x PRO 150

NON ADJ- Floor Drain

Part Number 6030+(size code)



SIZE (Size Code)	L (in.)	A (in.)
2 x 4 (420)	18.0	4.50
3 x 6 (531)	18.0	4.60
4 x 8 (583)	18.0	4.87
6 x 10 (627)	18.0	3.65