

Chem Proline® PE 100-RC Piping System

- Resistance to crack propagation
- Revolutionizing PE chemical compatibility
- Fused system eliminates cement and threads
- Save time by installing directly in rough trenches

Patent Pending Piping System

The next generation of polyethylene resin piping system, Chem Proline®, for chemical service.



Asahi/America's Chem Proline® PE 100-RC resin shows no reduction in installed quality with high concentrations of sodium hypochlorite.

Will Chem Proline® withstand your chemical?
Call Asahi/America
800-343-5409

Specifications

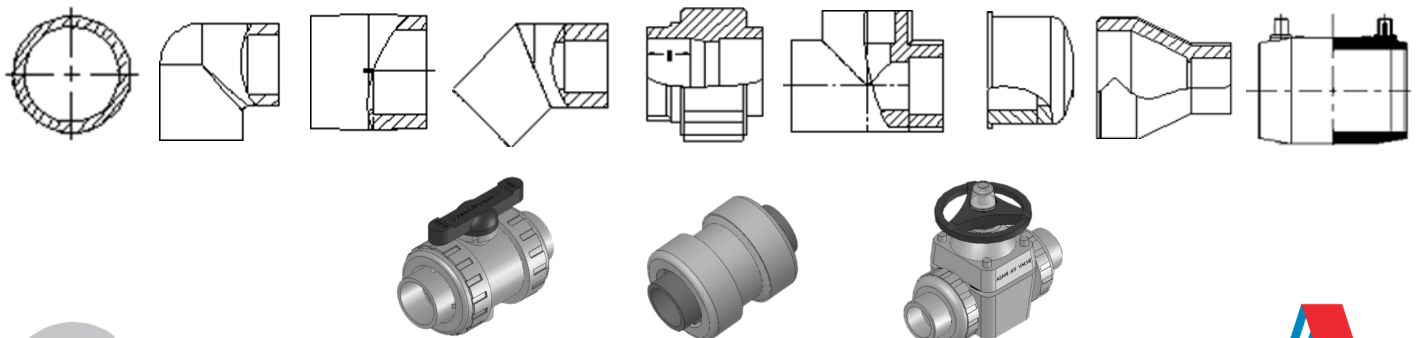
Welding	Socket 1/2"-4" (20mm-110mm) Butt 1/2"-12" (20m-315mm) Electro-fusion 1/2"-12" (20mm-315mm)
Pressure	150 psi
Product Range	Pipe Standard Fittings Specialty Fittings Valves Semi-finished sheet/round bars

No More Joint Failures



Red painted PVC for ID

Product Offering



35 Green Street, Malden, MA 02148 • Tel: (781) 321-5409
www.asahi-america.com • asahi@asahi-america.com

Rev. Marketing2

