

Serial No.	H-V057E-7
------------	-----------

## Type57L Butterfly Valves

## Type57L-IS Butterfly Valves

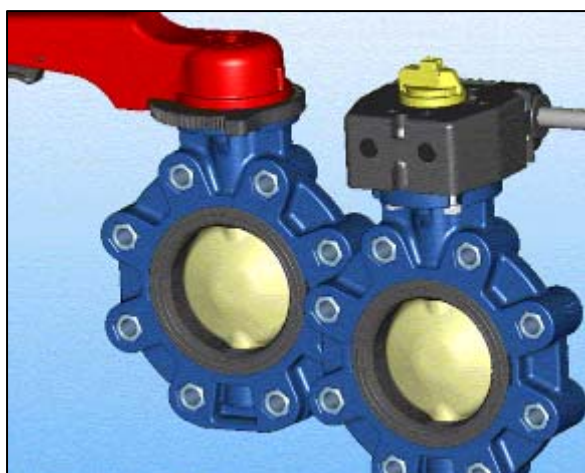
### (Lug Style/ PVC)

80mm(3’), 100mm(4’), 150mm(6’), 200mm(8’)  
 250mm(10’), 300mm(12’)

**User’s Manual**



### Contents

- (1) Be sure to read the following description  
 Of our product warranty ..... 1
- (2) General Operating Instructions ..... 2
- (3) General Instructions for Transportation,  
 Unpacking and Storage ..... 3
- (4) Names of Parts ..... 4
- (5) Comparison between Working  
 Temperature and Pressure ..... 5
- (6) Installation Procedure ..... 5
- (7) Operating Procedure ..... 9
- (8) Disassembly and Assembly Procedure  
 for Parts Replacement ..... 10
- (9) Installation Procedure for Handle ..... 13
- (10) Adjustment Procedure for  
 Stopper on Gear Type ..... 14
- (11) Inspection Items ..... 14
- (12) Troubleshooting ..... 15
- (13) Handling of Residual and Waste Materials ..... 15





This User's Guide contains information important to the proper installation, maintenance and safe use of the ASAHI AV product. Store in an easily accessible location.

<Warning & Caution Signs>

 Warning	This remark expresses the user to take caution due to the potential for serious injury or death.
 Caution	This remark expresses the user to take caution due to the potential for damage to the valve if used in such a manner.

<Prohibition & Mandatory Action Signs>

	Prohibition: When operating the valve, this remark indicates an action that should not be taken.
	Mandatory action: When operating the valve, this remark indicates mandatory actions that must be adhered to.

(1) Be sure to read the following description of our product warranty.

- Always observe the specifications of and the precautions and instructions on using our product.
- We always strive to improve product quality and reliability, but cannot guarantee perfection. Therefore, should you intend to use this product with any equipment or machinery that may pose the risk of serious or even fatal injury, or property damage, ensure an appropriate safety design or take other measures with sufficient consideration given to possible problems. We shall assume no responsibility for any inconvenience stemming from any action on your part without our written consent in the form of specifications or other documented approval.
- The related technical documents, operation manuals, and other documentation prescribe precautions on selecting, constructing, installing, operating, maintaining, and servicing our products. For details, consult with our nearest distributor or agent.
- Our product warranty extends for one and a half years after the product is shipped from our factory or one year after the product is installed, whichever comes first. Any product abnormality that occurs during the warranty period or which is reported to us will be investigated immediately to identify its cause. Should our product be deemed defective, we shall assume the responsibility to repair or replace it free of charge.
- Any repair or replacement needed after the warranty period ends shall be charged to the customer
- The warranty does not cover the following cases:
  - (1) Using our product under any condition not covered by our defined scope of warranty.
  - (2) Failure to observe our defined precautions or instructions regarding the construction, installation, handling, maintenance, or servicing of our product.
  - (3) Any inconvenience caused by any product other than ours.
  - (4) Remodeling or otherwise modifying our product by anyone other than us.
  - (5) Using any part of our product for anything other than the intended use of the product.
  - (6) Any abnormality that occurs due to a natural disaster, accident, or other incident not stemming from something inside our product.

(2) General Operating Instructions



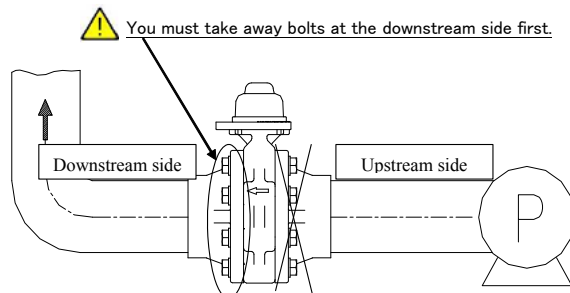
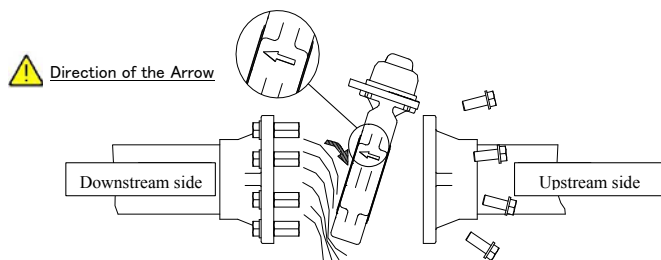
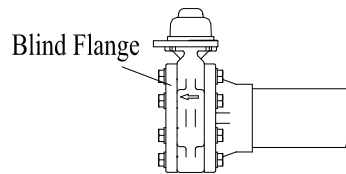
- Using a positive-pressure gas with our plastic piping may pose a dangerous condition due to the repellent force particular to compressed fluids, even when the gas is under the same pressure as water. Therefore, be sure to take the necessary safety precautions such as covering the piping with protective material. For inquiries, please contact us. For conducting a leak test on newly installed piping, be sure to check for leaks under water pressure. If absolutely necessary to use gas in testing, please consult your nearest service station beforehand.



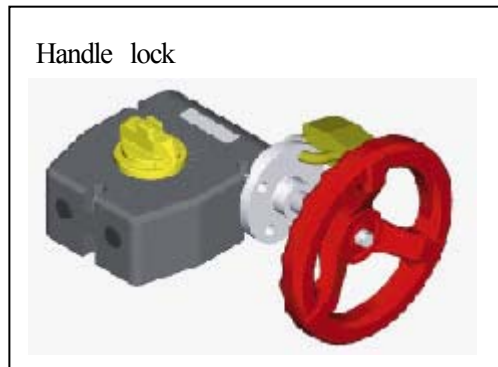
- Do not step on the valve or apply excessive weight on valve. (It can be damaged.)
- Keep the valve away from excessive heat or fire. (It can be damaged, or destroyed.)
- Do not use AV valves in a place where they may become submerged in water. (Submergence will make AV valve fail.)
- Do not use the valve on condition that fluid has crystallized. (The valve will not operate properly.)






- Operate the valve within the pressure Vs temperature range. (The valve can be damaged by operating beyond the allowable range.)
- Allow sufficient space for maintenance and inspection.
- Select a valve material that is compatible with the media, refer to “CHEMICAL RESISTANCE ON ASAHI AV VALVE”. (Some chemicals may damage incompatible valve materials.)
- Keep the valve away from places of direct sunlight, water and dust. Use cover to shield the valve. (The valve will not operate properly.)
- Perform periodic maintenance. (Leakage may develop due to temperature changes or changes with time during prolonged storage, rest, or operation.)
- Before opening or closing a lubricant free product, be sure to apply water.
- If you install this valve to the end of the piping, we recommend to use the “Blind Flange” at the opposite side of the valve to prevent accidental opening of the valve.
- Wear protective gloves and safety goggles as fluid remains in the valve. (You may be injured)
- If you remove a valve from the pipeline, draw out fluids completely and confirm the pressure will be zero level at first. Then take away bolts at the downstream side first.
- If you remove a valve from the pipeline, take caution to not leave a dangerous condition for other workers.



- Gear Operator Operation; we utilize a self-locking worm gear design on our manual operators. This design allows flow control of the valve in intermediate positions in normal process conditions. In applications where very high velocity, turbulence flow or vibration is present and an intermediate setting is required, It is recommended to install a locking device. The locking device will prevent the possibility of the valve drifting in severe condition from it is original intermediate setting.



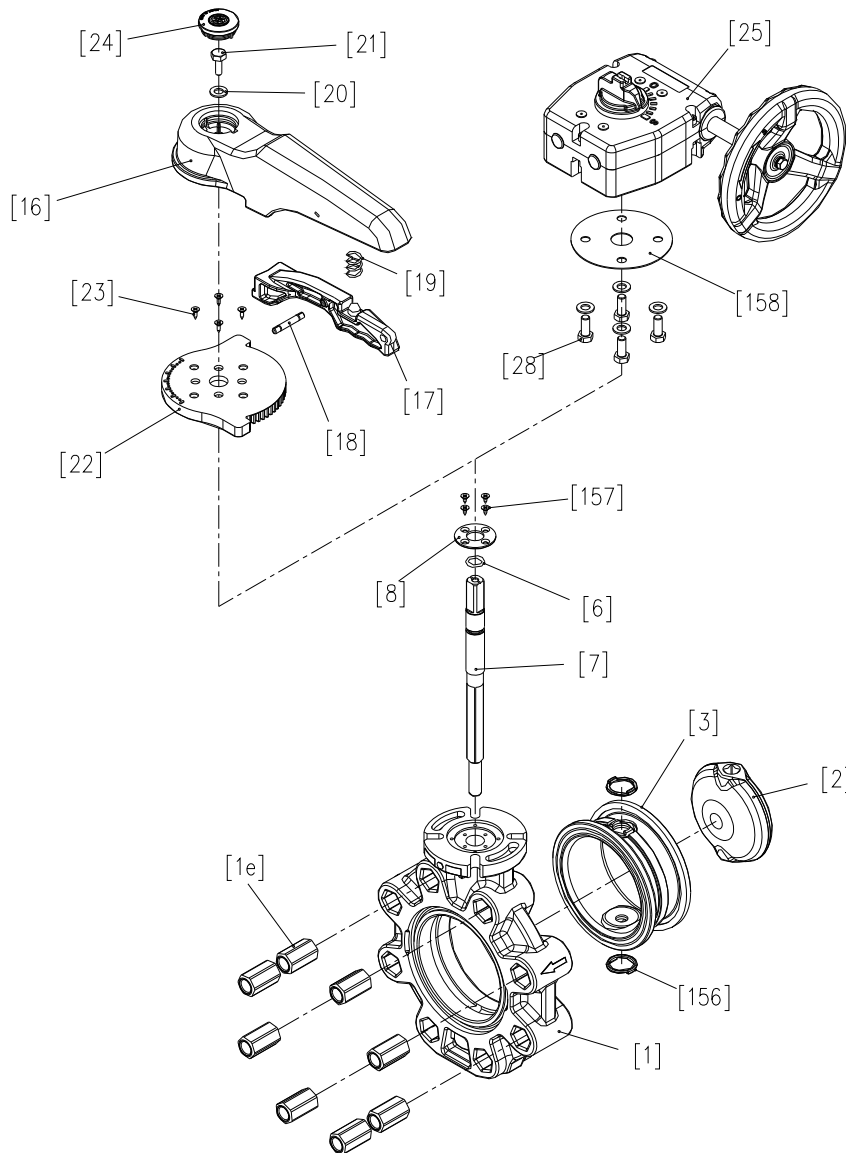
**(3) General Instructions for Transportation, Unpacking and Storage**

-  - In suspending and supporting a valve, take enough care and do not stand under a suspended valve.
-  - The valve is not designed to handle any kind of impact. Avoid throwing or dropping the valve.
- Avoid scratching the valve with any sharp object.
- Do not pile up corrugated cardboard packages one on top of another too much. Excessively piled-up packages may collapse.
- Avoid contact with any coal tar creosote, insecticides, vermicides or paint.  
(The force of swelling may damage the valve.)
- When transporting a valve, do not carry it by the handle.
-  - Keep the piping in the corrugated cardboard boxes, avoid direct sunlight, and store it indoors (at Room Temperature). Also avoid storing it in a place which may become very hot.  
(Corrugated cardboard packages become weaker as they become wet with water or other liquid. Take enough care in storage and handling.)
- After unpacking the products, check that they are defect-free and meet the specifications.

(4) Names of Parts

Nominal Size: 80mm(3")-200mm(8")

Nominal Size: 80mm(3")-300mm(12")



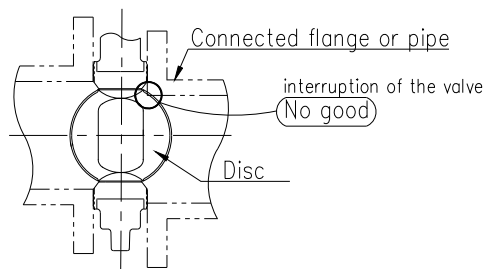
No.	Description	No.	Description	No.	Description
[1]	Body	[16a]	Handle Insert Metal	[24]	Cap (A)
[1e]	Lug-Insert	[17]	Handle Lever	[25]	Gear Box
[2]	Disc	[18]	Pin	[28]	Bolt (C)
[3]	Seat	[19]	Spring	[156]	Stabilization Ring
[6]	O-Ring	[20]	Washer (A)	[157]	Screw (F)
[7]	Stem	[21]	Bolt (B)	[158]	Gasket (L)
[8]	Stem Retainer (A)	[22]	Locking Plate		
[16]	Handle (A)	[23]	Screw (B)		





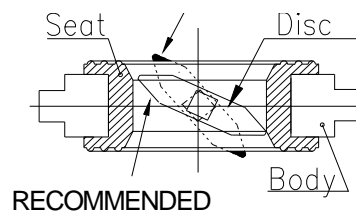
- Care must be used during piping installation to ensure that the pipes or flanges are properly aligned so that the valve disc does not contact them in any setting. Misalignment as in Figure below will result in damage

- The valve disc is sent in the position indicated by solid lines in Figure prior to shipment from the factory. If the valve is opened or closed after unpacking, it must be reset in this position before installation. Failure to do so will result in damage to the surface of the valve seat during handling and installation.

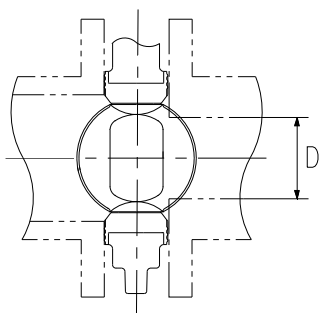


INTERFERENCE OF THE DISK

NOT RECOMMENDED



In case of the thick wall of the connection part (flange and pipe) is too thick, shave the flange or the pipe inside in order to avoid the contact of pipe and disc. If inside diameter of the connection part is larger than size D, shaving is not necessary.



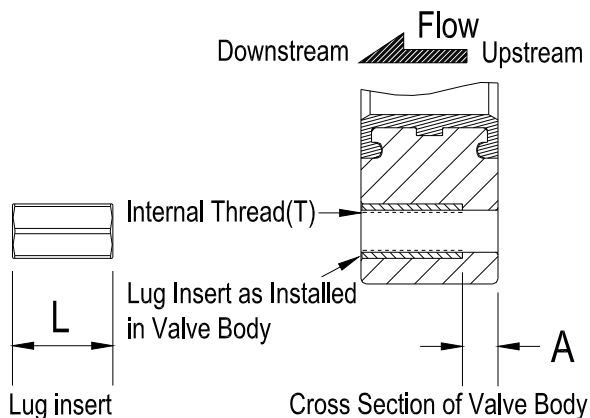
Nominal Size	Diameter D	
	Type57L	Type57L-IS
80mm (3")	67mm (2.64")	-
100mm (4")	91mm (3.58")	-
150mm (6")	137mm (5.39")	139mm (5.47")
200mm (8")	179mm (7.05")	185mm (7.28")
250mm (10")	231mm (9.09")	-
300mm (12")	280mm (11.02")	-

Necessary items

● Torque Wrench

● Spanner Wrench

◇ The size of connected bolt ◇



Type57L (ANSI150Lb)

Nominal Size		T	L	A
inch	mm			
3"	80	5/8-11 UNC	1.25"	0.40"
4"	100	5/6-11 UNC	1.50"	0.50"
6"	150	3/4-10 UNC	2.00"	0.60"
8"	200	3/4-10 UNC	2.25"	0.98"
10"	250	7/8-9 UNC	2.50"	1.64"
12"	300	7/8-9 UNC	2.50"	2.17"

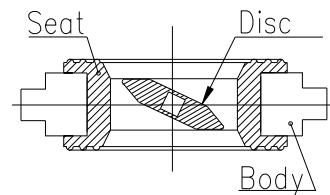
\*Nominal size 3", 4" are type 57L-IS (ISO5752 short).

**Type57L-IS (ISO5752 short)**

Nominal Size		T	L	A
inch	mm			
3"	80	5/8-11 UNC	1.25"	0.40"
4"	100	5/6-11 UNC	1.50"	0.50"
6"	150	3/4-10 UNC	1.50"	0.70"
8"	200	3/4-10 UNC	1.50"	0.86"

Procedure

- 1) Install the valve between flanges and open the valve slightly.



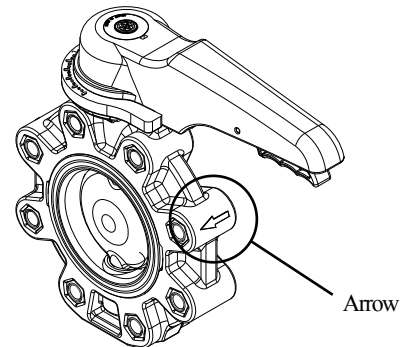
**- Tubing with the piping of upstream -**

- 2) Lug-Insert [1e] is inserted in the body [1].
- 3) Ensure that the direction of fluid and the flow direction marked on the valve body are the same [1].
- 4) Insert bolts, set nuts and washer and tighten the bolts and nuts temporarily by hand.
- 5) Tighten the bolts and nuts gradually with torque wrench to the specified torque in a diagonal manner.



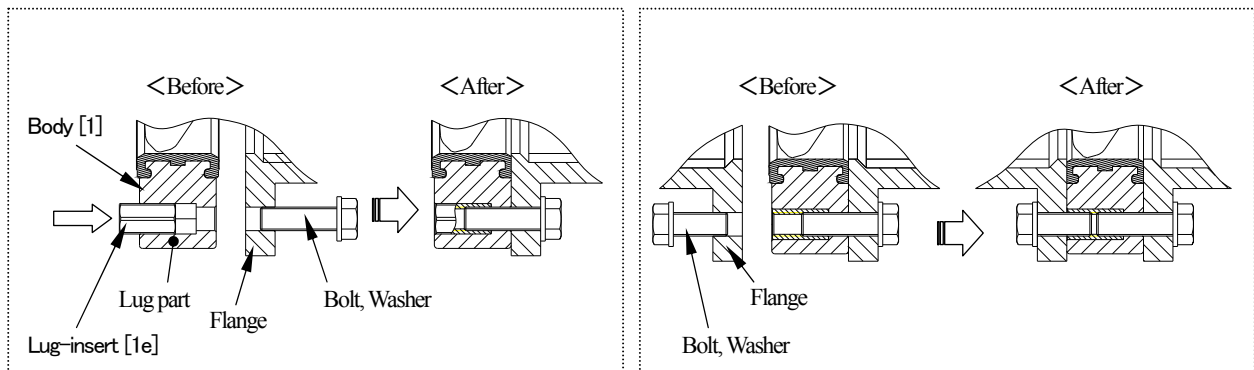
**Caution**

Be certain when installing the valve that the directional arrow on the valve body and the direction of fluid flow are the same. Failure to do so will result in a very dangerous condition.



**- Tubing with the piping of downstream -**

- 6) The flange on the downstream side is set.
- 7) Insert bolts, set nuts and washer and tighten the bolts and nuts temporarily by hand.
- 8) Tighten the bolts and nuts gradually with torque wrench to the specified torque in a diagonal manner.



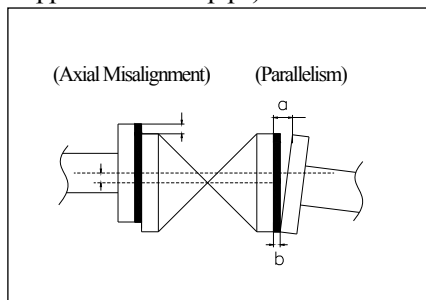


- The parallelism and axial misalignment of the flange surface should be under the values shown in the following table to prevent damage the valve.

(A failure to observe them can cause destruction due to stress application to the pipe)

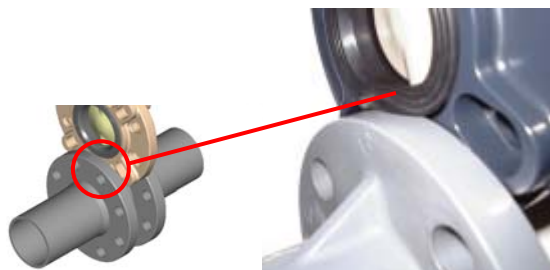
Unit : mm (inch)

Nom. Size	Axial Misalignment	Parallelism (a - b)
80mm (3")	1.0 (0.04)	0.8 (0.03)
100, 150mm (4", 6")	1.0 (0.04)	1.0 (0.04)
200-300mm (8"-12")	1.5 (0.06)	1.0 (0.04)



- When you insert a valve between flanges, please insert after extending the fields of flanges fully.

(If you insert a valve by force without fully extending fields of flanges, a liner may be turned over and suffer a crack.)

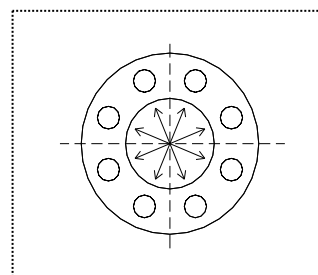


- Tighten the bolts and nuts gradually with torque wrench to the specified torque in a diagonal manner.

**Recommended torque value**

Unit: N-m {kgf-cm} [lb-inch]

Nom. Size	80, 100mm (3", 4")	150mm (6")	200, 250mm (8", 10")	300mm (12")
Torque value	30.0 {306} [266]	40.0 {408} [355]	55.0 {561} [488]	60.0 {612} [532]



Caution: Avoid excessive tightening. (The valve can be damaged.)

**(7) Operating Procedure**



Caution

- Do not use the valve to fluid containing slurry.  
(The valve will not operate properly.)



- The installed valve must never be opened or closed when foreign matter such as sand is present in the pipeline.

- Do not exert excessive force in closing the valve.

- When operating the handle, be sure to do so with your hand.

(Using a tool may damage the handle.)

- 1) Open and close the valve by turning handle smoothly.  
(Turn clockwise to close and counterclockwise to open.)
  
- 2) In case of lever type (80-200 mm {3''-8''}), the direction of handle is same as the disc as shown in Fig. 7-1.
  - For the full-shut (Close) position, the handle is perpendicular to the piping axis direction.
  - For the full-opened position, the handle is parallel to the piping axis direction.

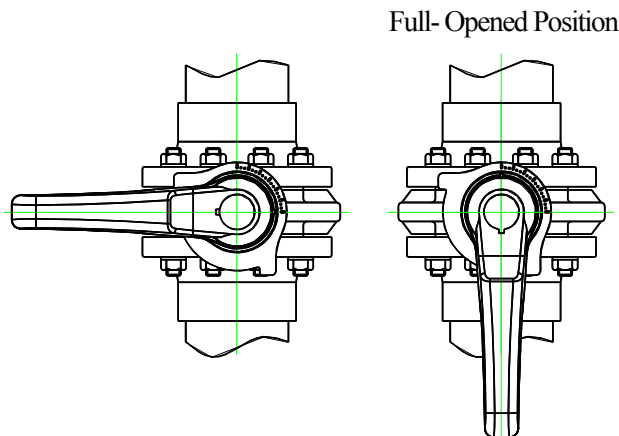
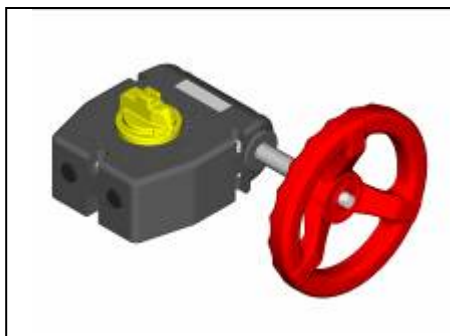


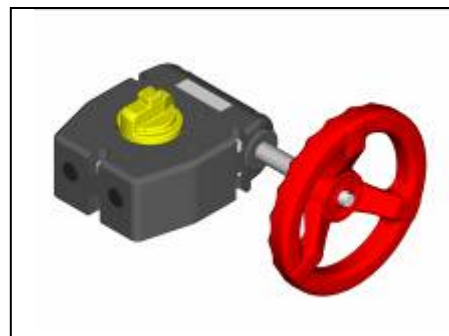
Fig. 7-1

- 3) In case of gear type (80-300 mm {3''-12''}), the indicator shows the position of the disc on the top of gear box.
  - For the full-shut (close) position, the indication shows Shut (S).
  - For the full-opened position, the indication shows Open (O).

Full-Shut (Close) Position



Full- Opened Position



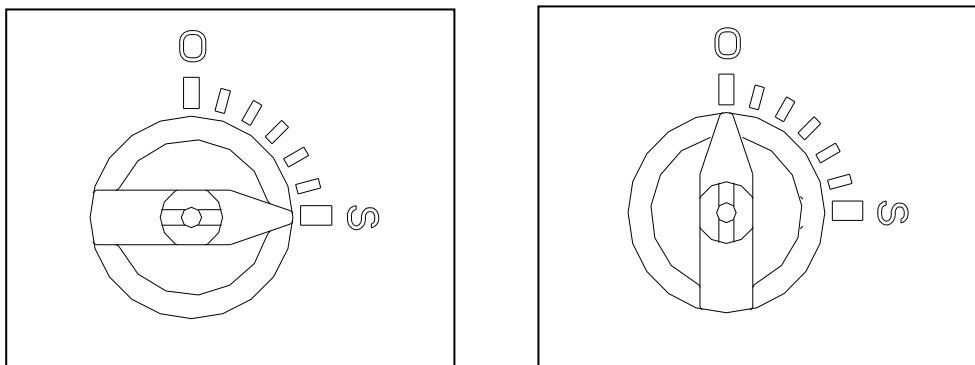


Fig. 7-2


**Technical Data for Operation**


Nom. Size	Stem Torque (N·m)		Required Operating Force (N)	
	Peak	Seal	Lever	Gear
80mm (3")	20	20	80	10
100mm (4")	29	27	108	14
150mm (6")	82	62	194	32
200mm (8")	190	162	386	84
250mm (10")	300	250	-	130
300mm (12")	370	330	-	73

Note : Data mentioned in the table above is reference only.

These data are measured in standard condition and it slightly differs depending on conditions.

**(8) Disassembly and Assembly Procedure for Parts Replacement**

 **Warning** - The handle part can be removed with line pressure present. The stem retainer can't be removed with line pressure present. If stem retainer needs to be removed, there can not be line pressure present.

 **Caution**

- Wear protective gloves and safety goggles as fluid remains in the valve. (You may be injured.)
- When installing pipes and valves, ensure that they are not subjected to tension, compression, bending, impact, or other excessive stress.
- Do not change or replace valve parts under line pressure.

Necessary items		
● Protective Gloves	● Vise	● Circular Stick (Plastic or Wood)
● Goggles	● Grease (Silicone)	● Pressing Machine
● Spanner Wrench	● Square Lumber	● Hammer
		● Screw Driver (+)
		● Screw Driver (-)

<< Disassembly >>

Procedure

- 1) Drain fluid completely from the pipeline.
- 2) Leave the valve slightly opened.
- 3) Loosen the connecting bolts and nuts.
- 4) Remove the valve from the pipeline.

Lever Type

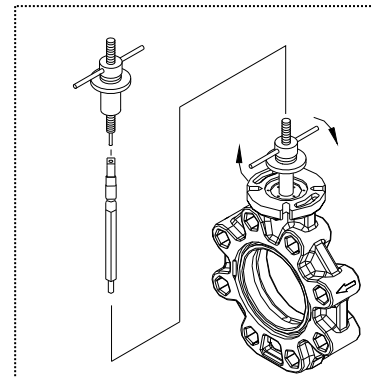
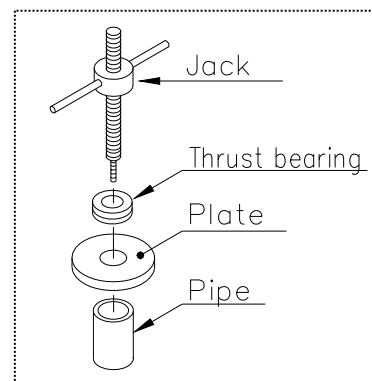
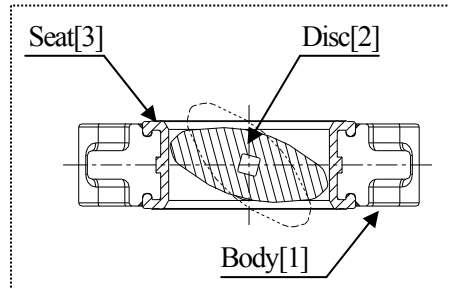
- 5) To remove handle [16], first take off the cap [24] by using screw driver (-) and release bolt [21] by using socket wrench, then pull up the handle [16] while holding handle lever [17].
- 6) To take off locking plate [22], release 4 self-tapping screws [23] by using screw driver (+) and take off stem holder [8].

Gear Type

- 7) Loosen set bolt [28] for gear box [25] and pull off the gear box upward with gasket [158].
- 8) To take off stem holder [8]. Release 4 tapping screws [157] by using screw driver (+).

Lever & Gear Type

- 9) Hold flat surface of Stem [7] with vise and pull off valve body [1].
- 10) (A) Set the valve body [1] on square lumbers at edges of valve body on the press and put a lumber on the disc [2].  
Operate the press slowly and push disc [2] and seat [3] out of the valve body [1].  
(B) Set the valve body [1] on square lumbers at edges of valve body and put a circular stick on the disc [2].  
Strike the circular stick with a hammer and remove disc [2] and seat [3] out of the valve body [1].
- 11) Set the disc [2] parallel to the working desk to half opened position. Push the seat [3], and remove the disc [2].
- 12) Remove the stabilization ring [156] and the O-ring (C) [6] from the stem [7].



<< Assembly >>

Procedure

- 1) Put the O-ring (C) [6] onto the stem [7].
- 2) Before starting assembly, grease (Silicone) should be spread on the top and bottom disc [2], the stem hole of the seat [3] and the stem O-ring (C) [6].
- 3) Insert the stabilization ring [156] into the upper side slot of the seat [3]. The upper side slot of seat [3] has larger stem hole than lower side.



Caution

Make certain tabs are properly aligned. Both upper and lower stabilization rings [156] are identical.

- 4) Insert the stem [7] about 1/3 into the body [1]. Install the seat [3] into the body [1] by aligning upper seat stem hole with the stem [7].
- 5) Collapse the left or right side of seat [3] in towards opposing side exposing lower stem hole by screw driver (-). Install the stabilization ring [156] into the body [1] aligning tabs of ring with center groove of the body [1]. Seat [3] tabs should line up when bottom of seat is reset into body of valve.
- 6) Remove the stem [7].
- 7) Reset the seat [3] into the body [1].

**Caution**

Make certain stabilization rings [156] sit flush inside of seat [3] with tabs properly aligned. If stabilization rings [156] are not installed correctly, the seat [3] will not sit in the body [1] properly. This is indicated by a visible gap between seat [1] and body [1], and disc [2] will not fit properly.

- 8) To install disc [2], make certain valve size on disc [2] is in upright direction. Install top of disc [2] into seat [3] aligning with upper stem hole.
- 9) Rotate disc [2] to 75% (Approx.) closed position and install stem [7] about 50% into the body [1].
- 10) Press in bottom of disc [2] to lower stem hole.

**Caution**

Look into valve body [1] to be certain full square in disc [2] is centered with upper valve [1] stem hole. If not, repeat step 8), 9), and 10).

Make certain line scribed on top of stem [7] indicates disc [2] position while installing stem [7].

- 11) Install the stem [7] into valve body [1] and disc [2]. If disc [2] is properly aligned, stem [7] should slide in smoothly. If stem [7] does not slide in smoothly, repeat from step 8) to properly align the disc [2] in the valve body [1].
- 12) Install stem holder [8] onto valve body [1] with countersunk holes facing up using 4 screws [157].
- 13) To install lever or gear operator reverse disassembly procedure #5).
- 14) After assembly, make sure that the valve can be fully opened and closed smoothly.

**(9) Installation Procedure for Handle**

Necessary items

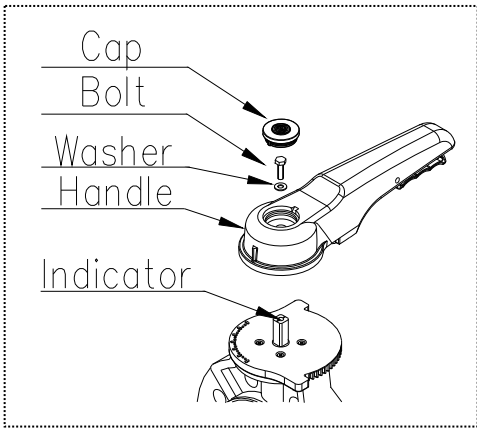
- Plastic Hammer
- Socket Wrench
- Screw Driver(-)
- Goggles
- Protective Gloves

 - Do not give any unjust force to cap, in installing or removing the cap.  
(It can be damaged)

<<Installation>>

Procedure

- 1) Install the handle on the stem. Set the direction of handle in the indication line at the top of stem.
- 2) Fix the handle at the top of stem with the attached bolts and washer by using socket wrench.
- 3) Set the convex part at the side of the cap and the concave of the handle, and set in the cap by striking lightly by using a plastic hammer.

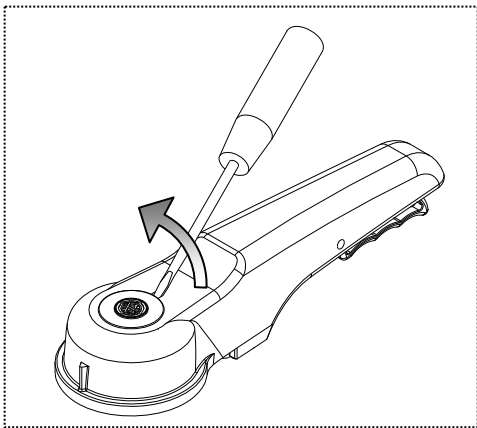


Nominal Size	80, 100mm (3", 4")	150-200mm (6"-8")
Bolt Size	M6×15L	M8×15L
Socket Size	10	13

《Remove》

Procedure

- 1) To remove the cap, push up the side of the cap by using screw driver (-).
- 2) Loose the bolts and washer by using socket wrench, then remove the handle.

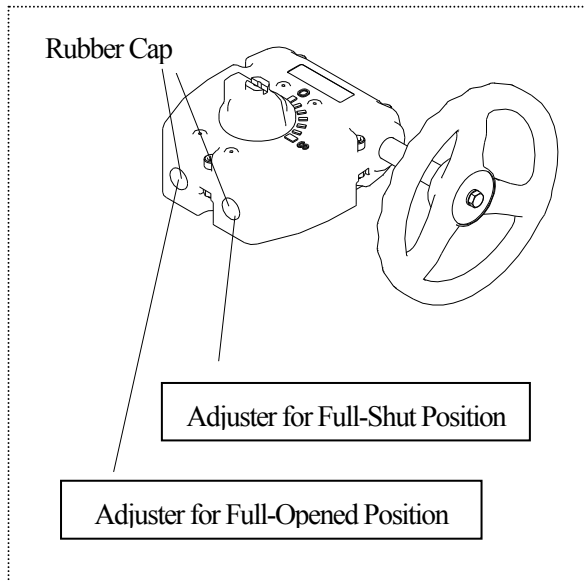


**(10) Adjustment Procedure for Stopper Gear Type**

Necessary Items

- Allen Wrench

The adjustments for full-opened and full-shut position are step-less, and it can be done with the stopper adjuster.



Adjustment for Full-shut (Full-opened) position

- 1) Remove the rubber cap of Full-closing (Full-opening) adjuster.
- 2) Loosen the first stopper hex-bolt completely by Allen Wrench.
- 3) Adjust the disc of valve to required position.
- 4) Tighten the stopper hex-bolts.
- 5) Put the rubber cap of Full-closing (Full-opening) adjuster back on gearbox.

**(11) Inspection Items**



Caution

- Perform periodic maintenance.

(Leakage may develop due to temperature changes or changes with time during prolonged storage, rest, or operation.)



Inspect the following items.

(1)	Check for flaw, crack, or deformation on the valve.
(2)	Check for leaks to the outside.
(3)	Check for the deformation of seat due to improper installation of valve.
(4)	Check for the smoothness of handle operation.

(12) Troubleshooting

Phenomenon	Cause	Treatment
Fluid is not stopped in the full closed position at the seat.	1) The stopper is not set correctly. 2) The seat is damaged or worn. 3) Foreign materials are caught. 4) The disc is damaged or worn. 5) The connecting bolts are over tightened or tightened unevenly.	Adjust the stopper. Replace the seat. Clean it up. Replace the disc. Adjust and retighten.
Fluid leaks to the outside.	1) The seat is damaged or worn. 2) The connecting bolts are not tightened in proper torque or evenly.	Replace the seat. Adjust and retighten.
The handle does not work smoothly.	1) Foreign materials have adhered. 2) The gear box is damaged. 3) The connecting bolt is over tightened.	Clean it up. Repair or replace. Adjust and retighten.
Valve does not operate	1) The gear box is damaged 2) The stem is damaged.	Repair or replace. Replace the stem.

(13) Handling of Residual and Waste Materials



 - Make sure to consult a waste treatment dealer to dispose of the valves.  
 (Poisonous gas is generated when the valve is burned improperly.)

Warning

**Type57L Butterfly Valves**  
**Type57L-IS Butterfly Valves**



**ASAHI AV VALVES**

---

Asahi Organic Chemicals Industry's homepage

<http://www.asahi-yukizai.co.jp/en/>

Information in this manual is subject to change without notice.

2009.11

**Butterfly Valves Type57L, Type57L-IS (Lug style / PVC)**