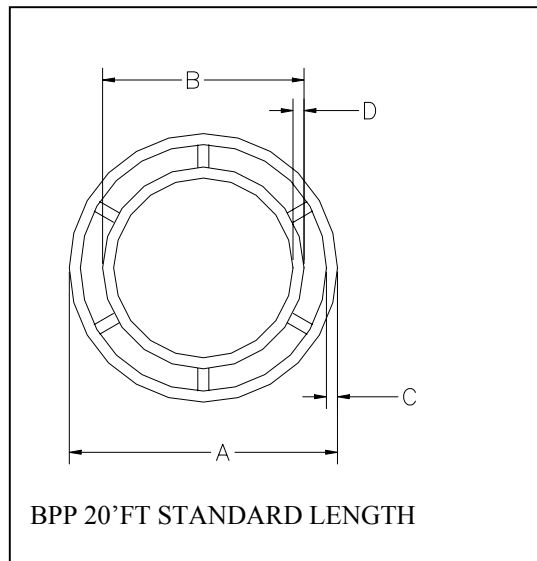




ASAHI/AMERICA®

## POLY-FLO Piping Systems

### EXTRUDED UNITARY PIPE



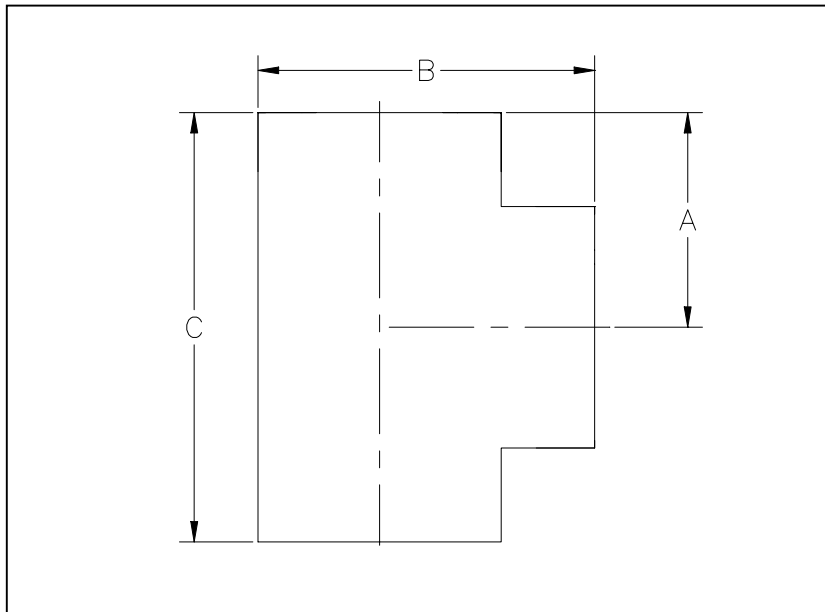
NOM SIZE	A	B	C	D	PART NO.
(in.)	(in.)	(in.)	(in.)	(in.)	BPP
1 X 2	1.950	1.220	0.100	0.100	4201249
2 X 3	3.035	2.280	0.125	0.125	4201338
4 X 6	6.080	4.560	0.250	0.250	4201532



ASAHI/AMERICA®

## POLY-FLO Piping Systems

### MOLDED TEE



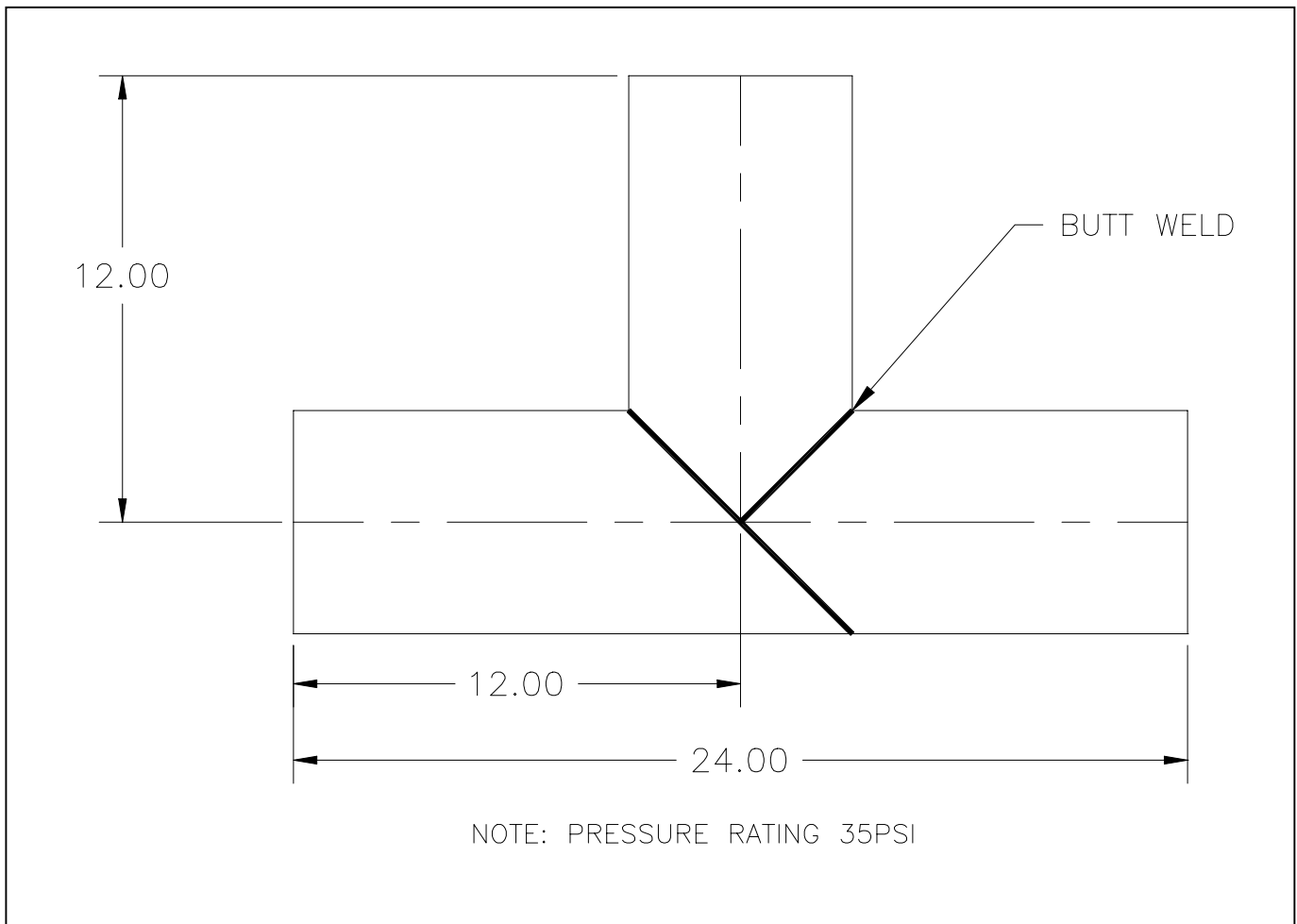
<b>NOM SIZE</b>	<b>A</b>	<b>B</b>	<b>C</b>	<b>PART NO.</b>
(in.)	(in.)	(in.)	(in.)	BPP
1 X 2	1.900	2.875	3.800	4211249
2 X 3	2.842	4.360	5.685	4211338



ASAHI/AMERICA®

## POLY-FLO Piping Systems

### 4X6 BPP FABRICATED TEE



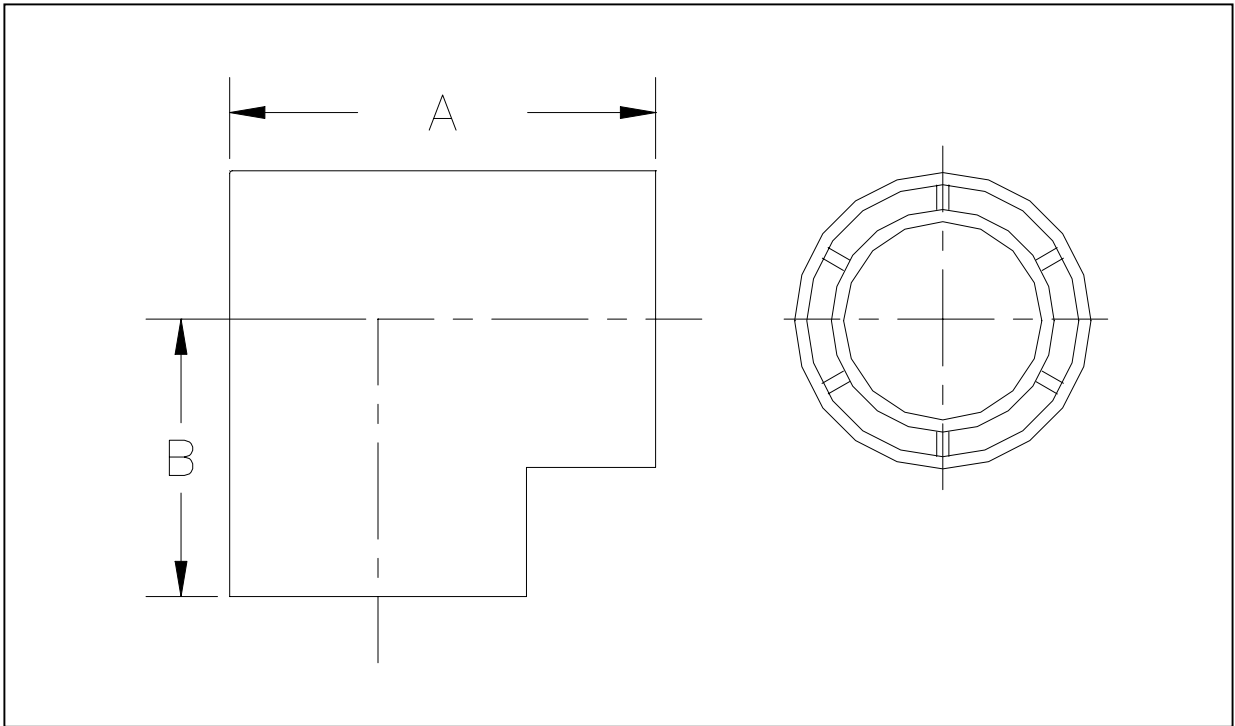
SIZE	PART NUMBER
4X6	4211532



ASAHI/AMERICA®

## POLY-FLO Piping Systems

### 90° ELBOW



NOM SIZE	A	B	PART NO.
(in.)	(in.)	(in.)	BPP
1 X 2	2.875	1.900	4204249
2 X 3	4.360	2.842	4204338

Asahi America Inc. 35 Green St Malden Ma 02148 Office 1-781-321-5409 Fax 1-781-321-4421

Email: [asahi@asahi-america.com](mailto:asahi@asahi-america.com)

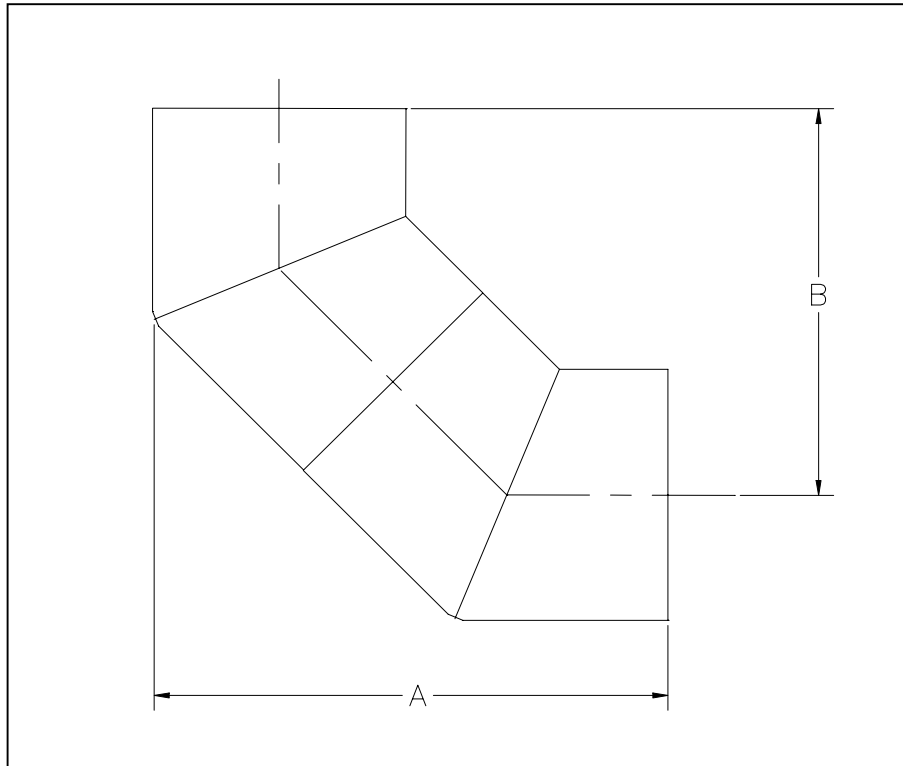
Internet: [www.asahi-america.com](http://www.asahi-america.com)



ASAHI/AMERICA®

**POLY- FLO Piping Systems**

**90° LONG SWEEP ELBOW**



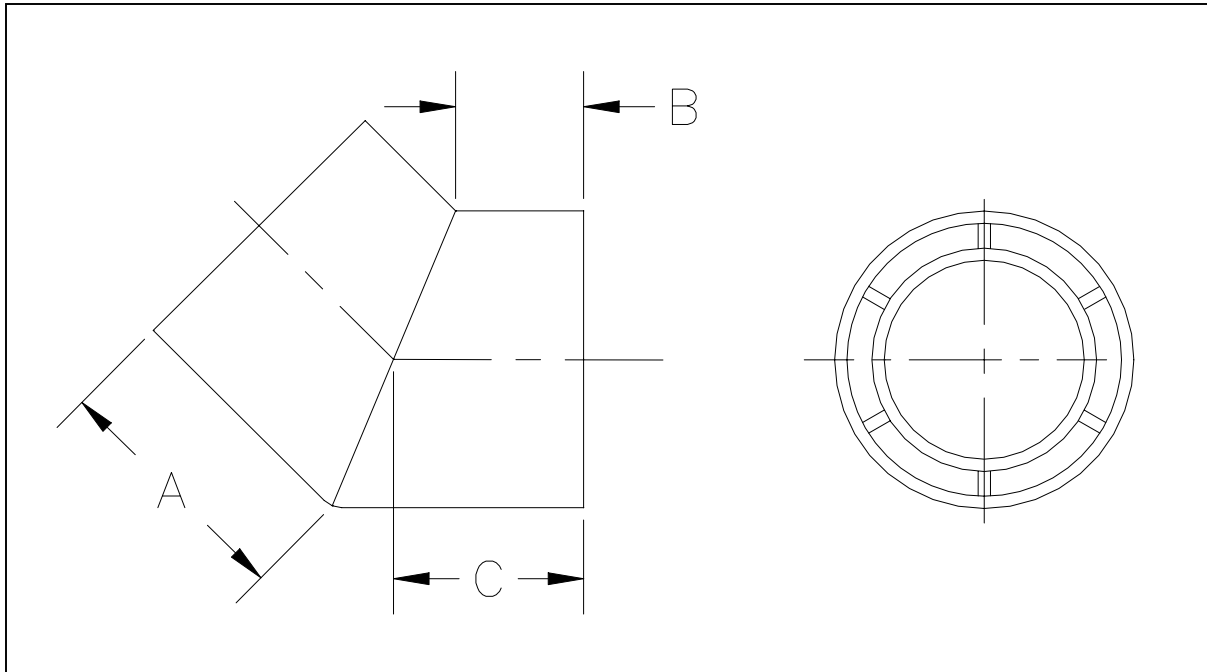
<b>N O M S I Z E</b>	<b>A</b>	<b>B</b>	<b>P A R T N O .</b>
(in.)	(in.)	(in.)	B P P
1 X 2	4 . 1 8 3	3 . 0 2 8	4 2 0 5 2 4 9
2 X 3	6 . 1 7 5	4 . 6 6 8	4 2 0 5 3 3 8
4 X 6	1 2 . 3 5 0	9 . 3 3 5	4 2 0 5 5 3 2



ASAHI/AMERICA®

## POLY- FLO Piping Systems

### 45° ELBOW



NOM SIZE	A	B	C	PART NO.
(in.)	(in.)	(in.)	(in.)	BPP
1 X 2	1.733	0.925	1.329	4208249
2 X 3	2.550	1.300	1.938	4208338
4 X 6	5.130	2.600	3.813	4208532

Asahi America Inc. 35 Green St Malden Ma 02148 Office 1-781-321-5409 Fax 1-781-321-4421

Email: [asahi@asahi-america.com](mailto:asahi@asahi-america.com)

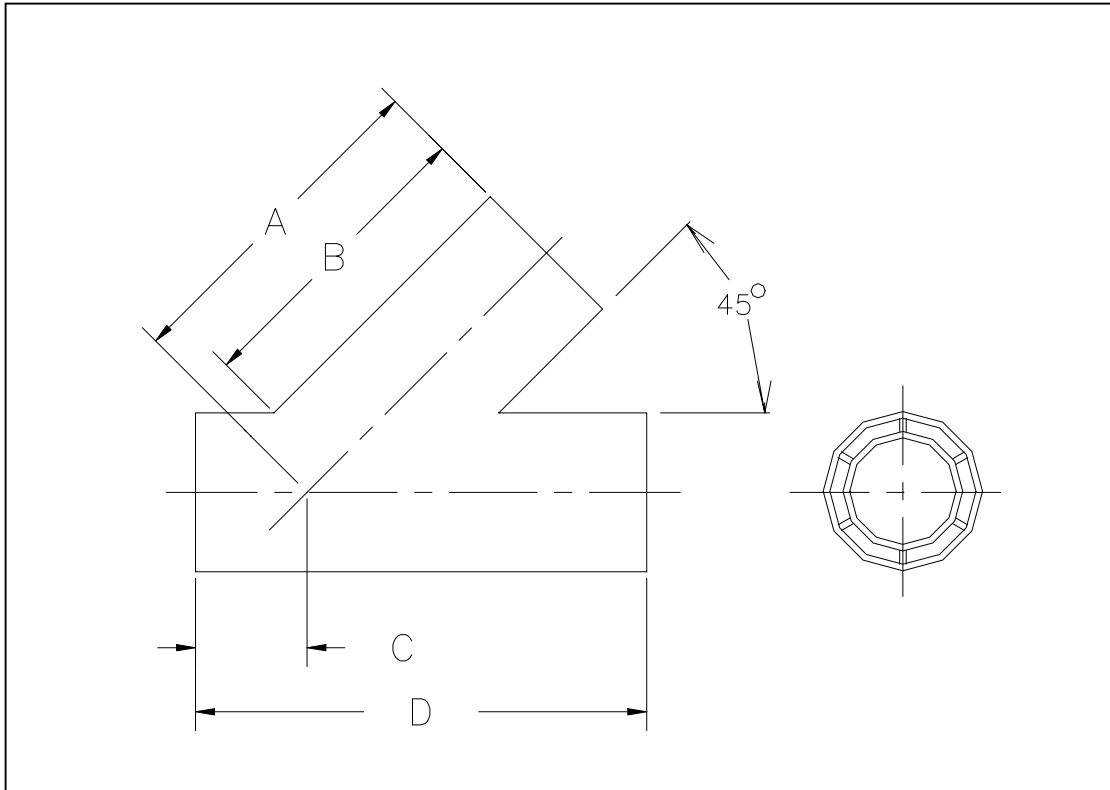
Internet: [www.asahi-america.com](http://www.asahi-america.com)



ASAHI/AMERICA®

**POLY- FLO Piping Systems**

**45° LATERAL**



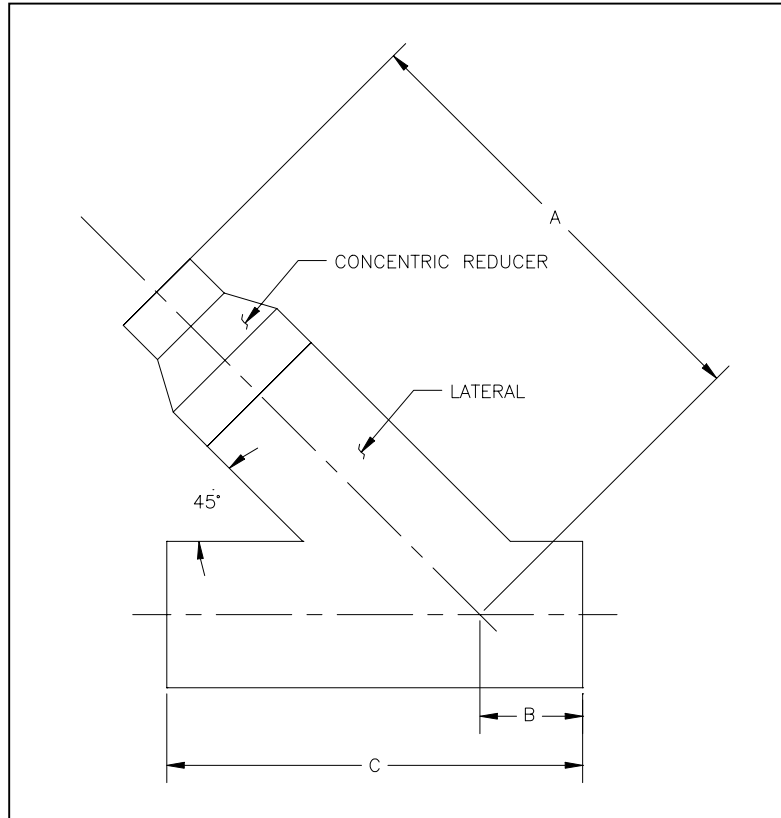
<b>NOM SIZE</b>	<b>A</b>	<b>B</b>	<b>C</b>	<b>D</b>	<b>PART NO.</b>
(in.)	(in.)	(in.)	(in.)	(in.)	BPP
2 X 3	6.454	5.825	2.125	8.600	4251338
4 X 6	12.250	10.990	3.750	16.000	4251532



ASAHI/AMERICA®

## POLY- FLO Piping Systems

### REDUCING LATERAL



NOM SIZE	A	B	C	PART NO.
(in.)	(in.)	(in.)	(in.)	BPP
(2 X 1)(3 X 2)	9.20	2.13	8.60	4291338
(4 X 2)(6 X 3)	16.00	3.75	16.00	4291532

Asahi America Inc. 35 Green St Malden Ma 02148 Office 1-781-321-5409 Fax 1-781-321-4421

Email: [asahi@asahi-america.com](mailto:asahi@asahi-america.com)

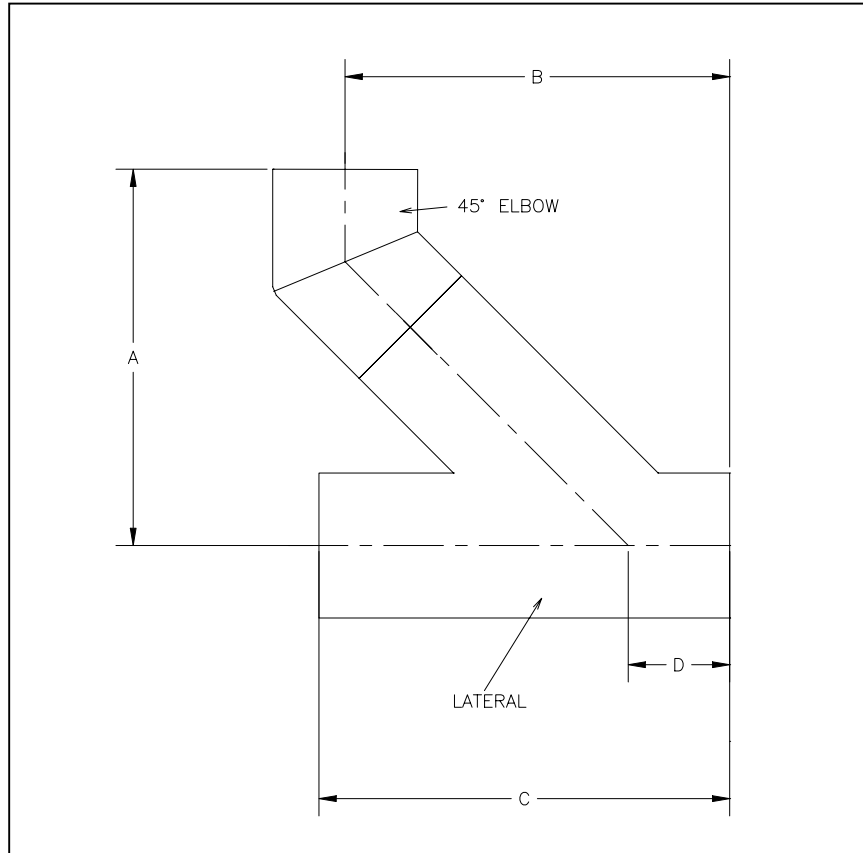
Internet: [www.asahi-america.com](http://www.asahi-america.com)



ASAHI/AMERICA®

## POLY-FLO Piping Systems

### LATERAL W/1/8 BEND



<b>NOM SIZE</b>	<b>A</b>	<b>B</b>	<b>C</b>	<b>D</b>	<b>PART NO.</b>
(in.)	(in.)	(in.)	(in.)	(in.)	<b>BPP</b>
2 X 3	7.86	8.05	8.60	2.13	4250338
4 X 6	15.25	15.15	16.00	3.75	4250532

Asahi America Inc. 35 Green St Malden Ma 02148 Office 1-781-321-5409 Fax 1-781-321-4421

Email: [asahi@asahi-america.com](mailto:asahi@asahi-america.com)

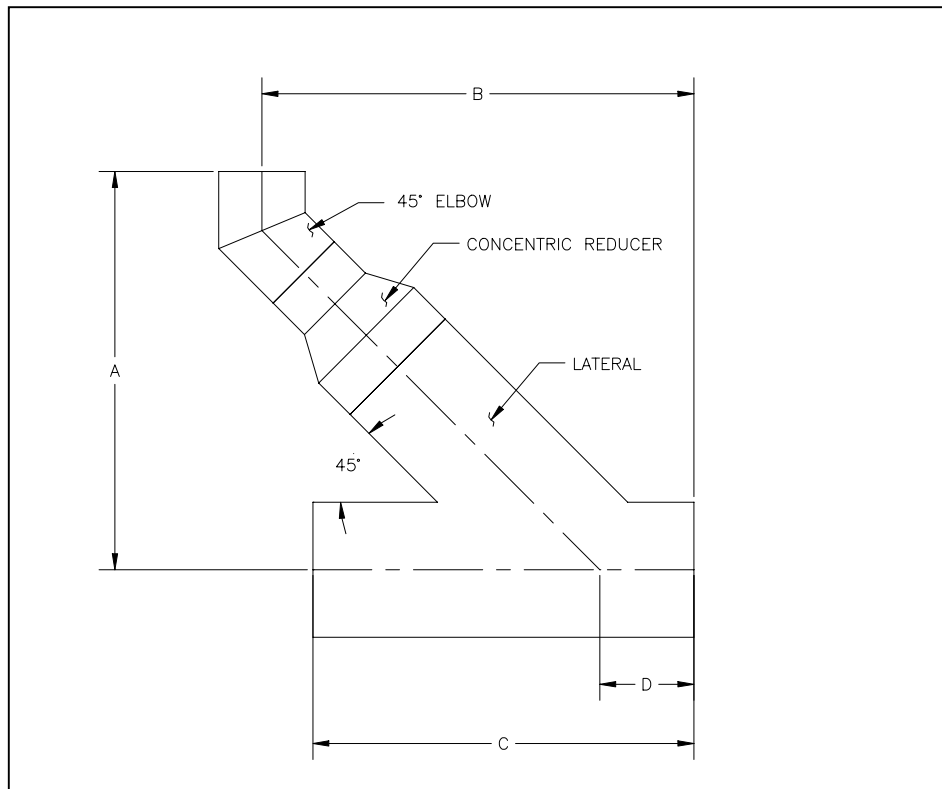
Internet: [www.asahi-america.com](http://www.asahi-america.com)



ASAHI/AMERICA®

## POLY- F LO Piping Systems

### REDUCING LATERAL W/1/8 BEND



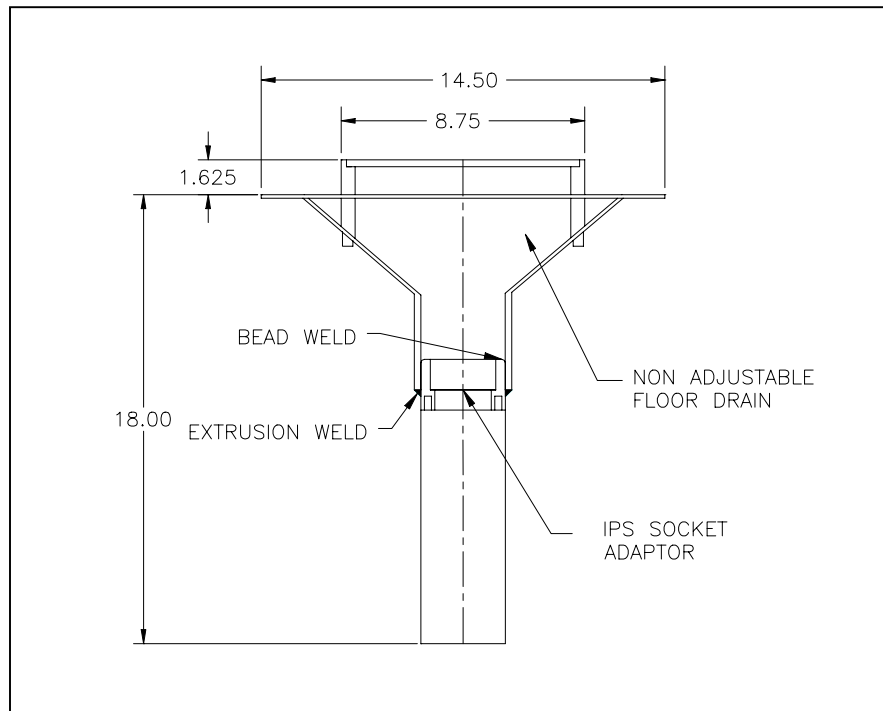
NOM SIZE	A	B	C	D	PART NO.
(in.)	(in.)	(in.)	(in.)	(in.)	BPP
(2 X 1)(3 X 2)	8.75	9.50	8.60	2.13	4290338
(4 X 2)(6 X 3)	14.50	16.25	16.00	3.75	4290532



ASAHI/AMERICA®

## POLY-FLO Piping Systems

### NON-ADJ-FLOOR DRAIN



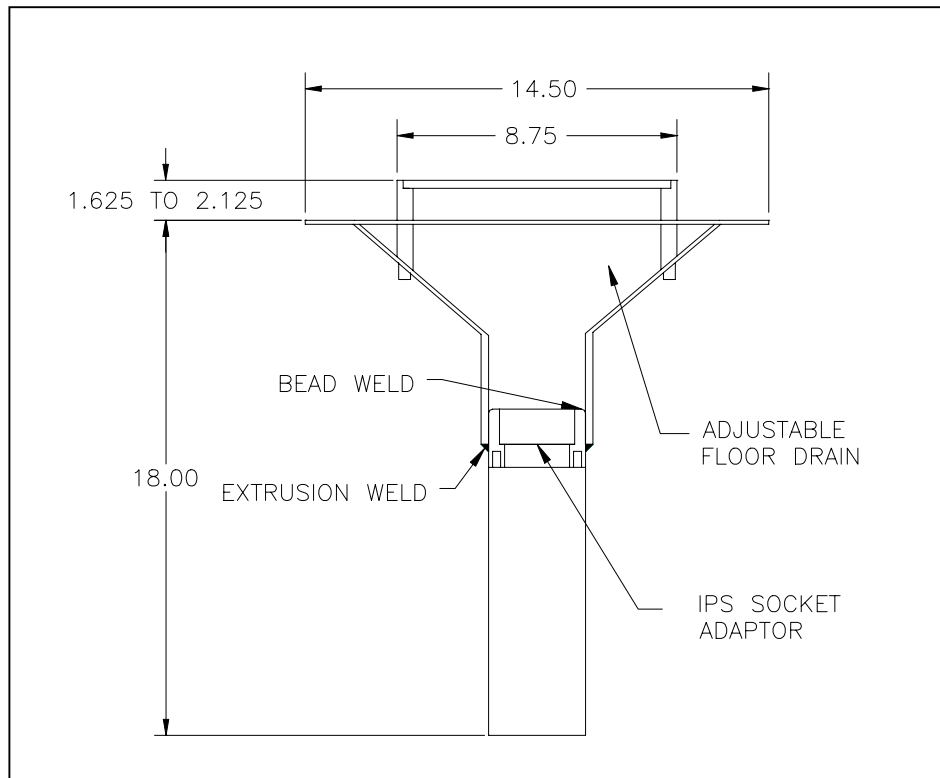
SIZE	PART NUMBER
2X3	4262338



ASAHI/AMERICA®

## POLY- FLO Piping Systems

### ADJ-FLOOR DRAIN



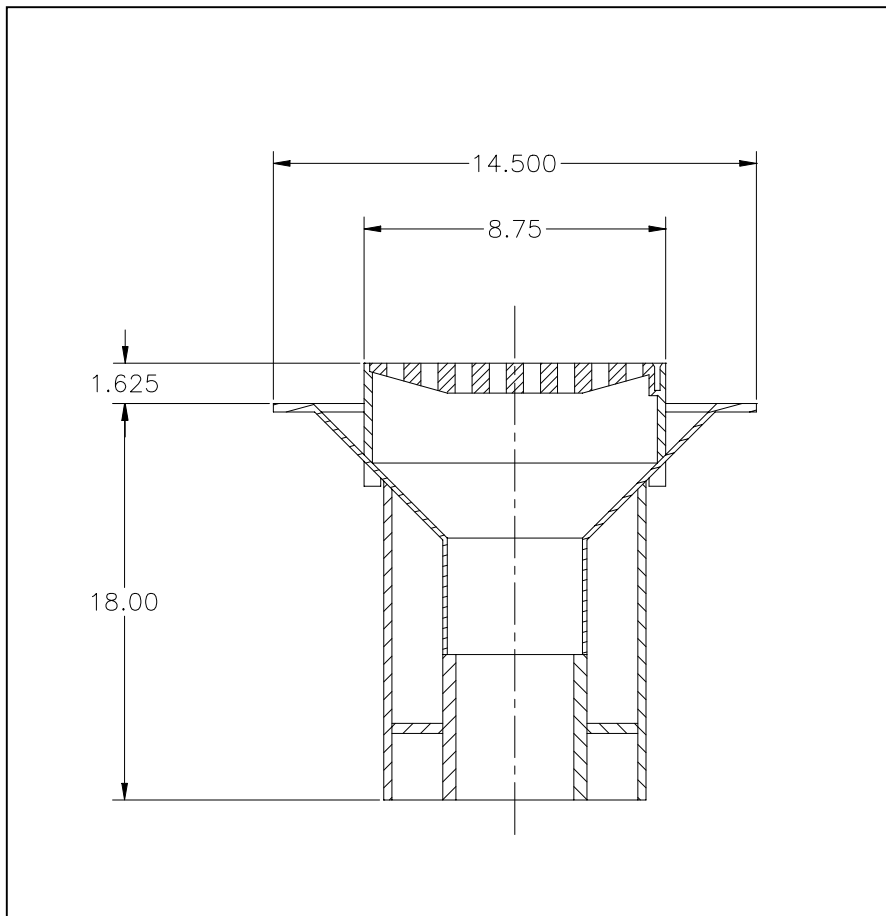
SIZE	PART NUMBER
2X3	4260338



ASAHI/AMERICA®

## POLY- FLO Piping Systems

### NON-ADJ-FLOOR DRAIN



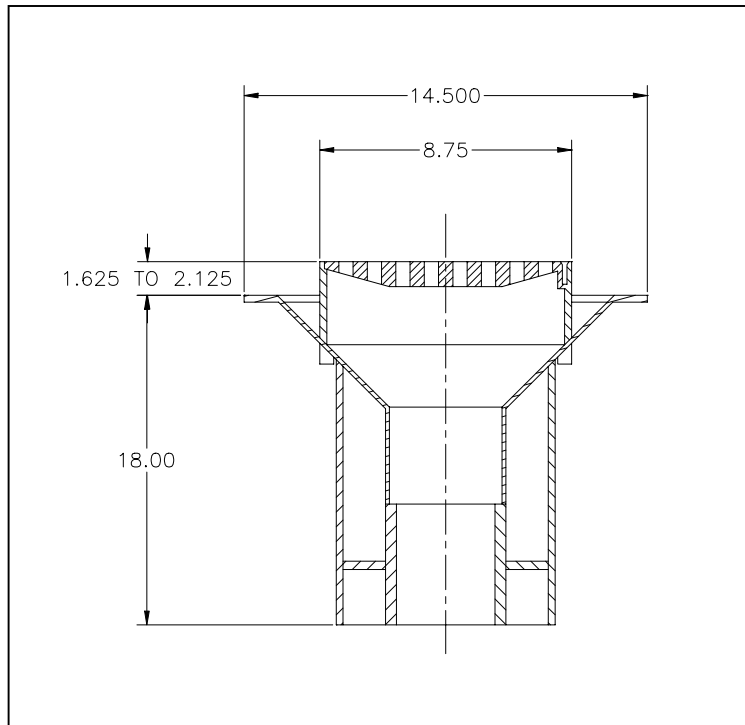
SIZE	PART NUMBER
4X6	4262338



ASAHI/AMERICA®

## POLY- FLO Piping Systems

### ADJ-FLOOR DRAIN



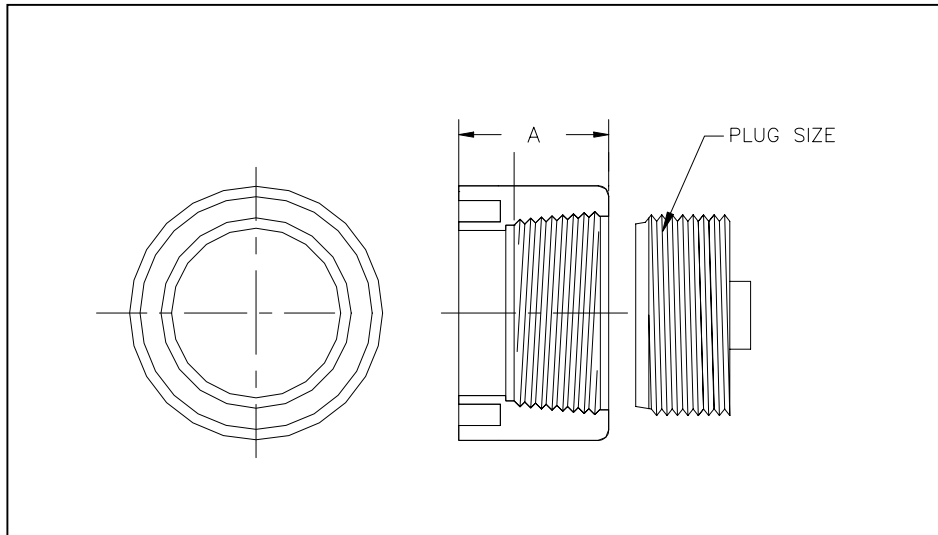
SIZE	PART NUMBER
4X6	4260532



ASAHI/AMERICA®

## POLY- FLO Piping Systems

### CLEANOUT



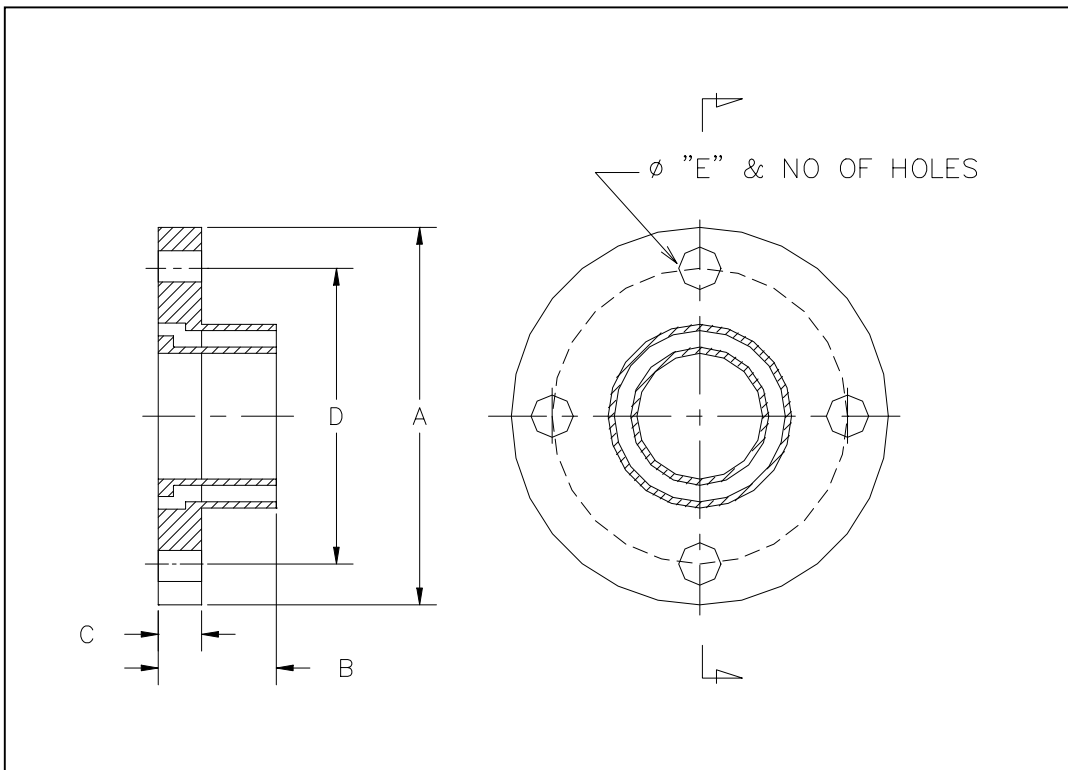
N O M S I Z E	A	T H D	P A R T N O .
( i n . )	( i n . )	( i n . )	B P P
1 X 2	1 . 7 6 1	1 " N P T	4 2 3 2 2 4 9
2 X 3	1 . 8 0 0	2 " N P T	4 2 3 2 3 3 8
4 X 6	3 . 1 8 5	4 " N P T	4 2 3 2 5 3 2



ASAHI/AMERICA®

## POLY- FLO Piping Systems

### FLANGE



NOM SIZE	A	B	C	D	E	# OF HOLES	PART NO.
(in.)	(in.)	(in.)	(in.)	(in.)	Ø (in.)	(in.)	BPP
1 X 2	4.313	1.515	0.600	3.130	0.500	4 @ 90°	4246249
2 X 3	6.063	1.900	0.700	4.750	0.625	4 @ 90°	4246338
4 X 6	11.000	2.500	1.120	9.500	0.750	8 @ 45°	4246532

Asahi America Inc. 35 Green St Malden Ma 02148 Office 1-781-321-5409 Fax 1-781-321-4421

Email: [asahi@asahi-america.com](mailto:asahi@asahi-america.com)

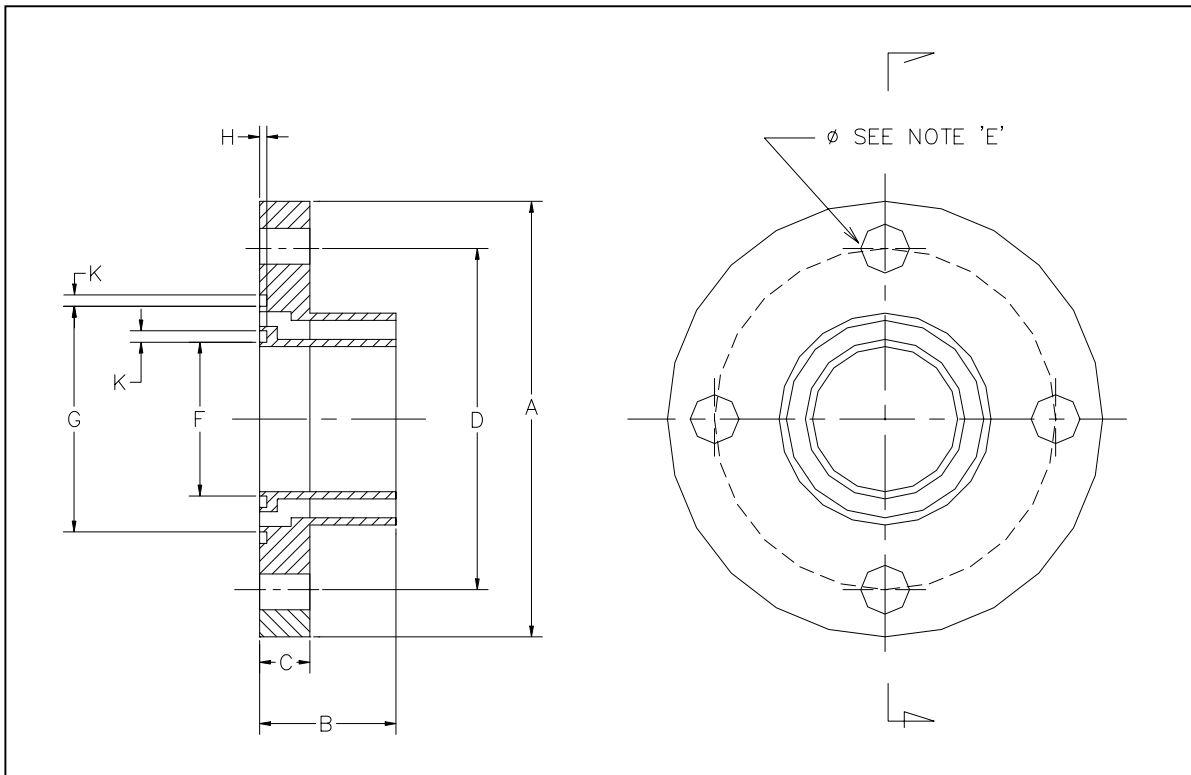
Internet: [www.asahi-america.com](http://www.asahi-america.com)



ASAHI/AMERICA®

## POLY- FLO Piping Systems

### O-RING FLANGE



NOMSIZE	A	B	C	D	E	#OFHOLES	ORING#	FDIM	ORING#	GDIM	K	H	PARTNO
(in)	(in)	(in)	(in)	(in)	Ø(in)	(in)	INNER	ID	OUTER	ID	WDTH	DEPTH	BP
1X2	4.313	1.515	0.600	3.130	0.500	4@90°	2-216	1.109	2-227	2.109	.177-.187	.101-.107	4245249
2X3	6.063	1.900	0.700	4.750	0.625	4@90°	2-331	2.225	2-340	3.350	.270-.290	.152-.162	4245338
4X6	11.000	2.500	1.120	9.500	0.750	8@45°	2-425	4.475	2-440	6.725	.342-.362	.201-.211	4245532

Asahi America Inc. 35 Green St Malden Ma 02148 Office 1-781-321-5409 Fax 1-781-321-4421

Email: [asahi@asahi-america.com](mailto:asahi@asahi-america.com)

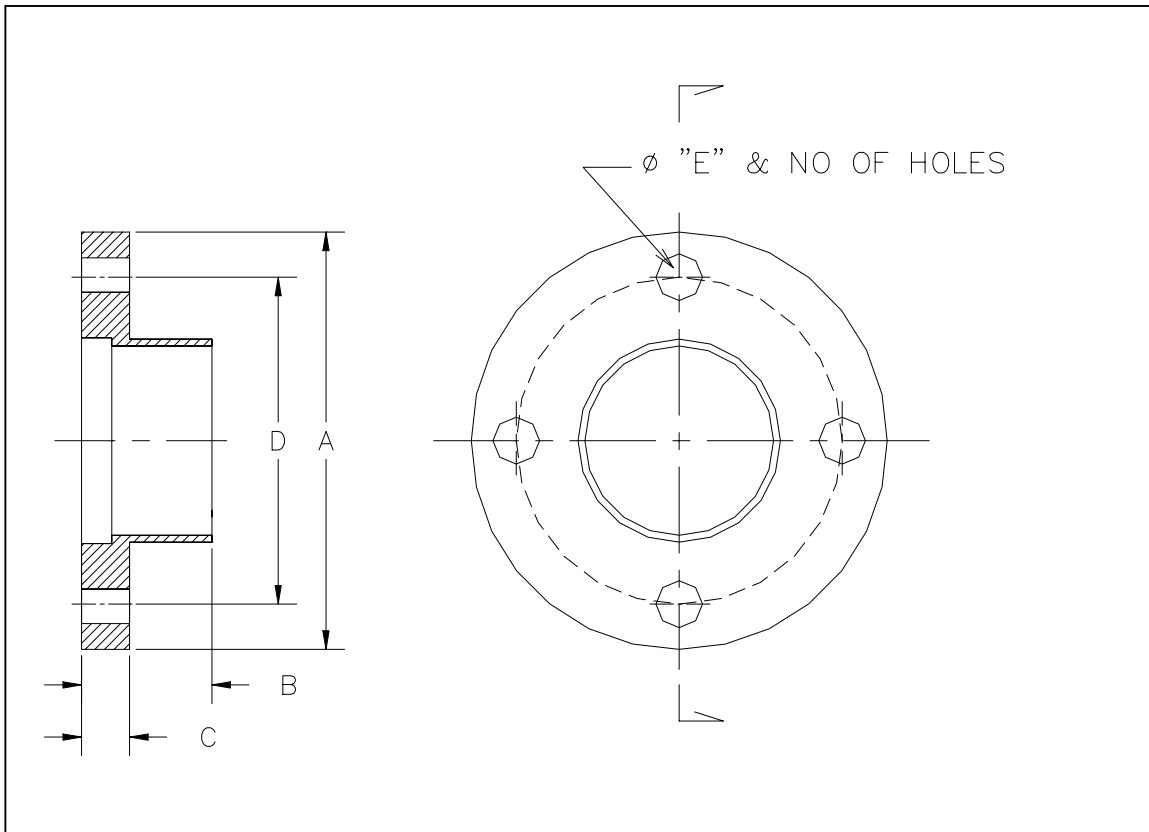
Internet: [www.asahi-america.com](http://www.asahi-america.com)



ASAHI/AMERICA®

## POLY- FLO Piping Systems

### OUTER WALL FLANGE



NOM SIZE	A	B	C	D	E	# OF HOLES	PART NO.
(in.)	(in.)	(in.)	(in.)	(in.)	(in.)	(in.)	BPP
1 X 2	4.313	1.515	0.600	3.130	0.500	4 @ 90°	4244249
2 X 3	6.063	1.900	0.700	4.750	0.625	4 @ 90°	4244338
4 X 6	11.000	2.500	1.120	9.500	0.750	8 @ 45°	4244532

Asahi America Inc. 35 Green St Malden Ma 02148 Office 1-781-321-5409 Fax 1-781-321-4421

Email: [asahi@asahi-america.com](mailto:asahi@asahi-america.com)

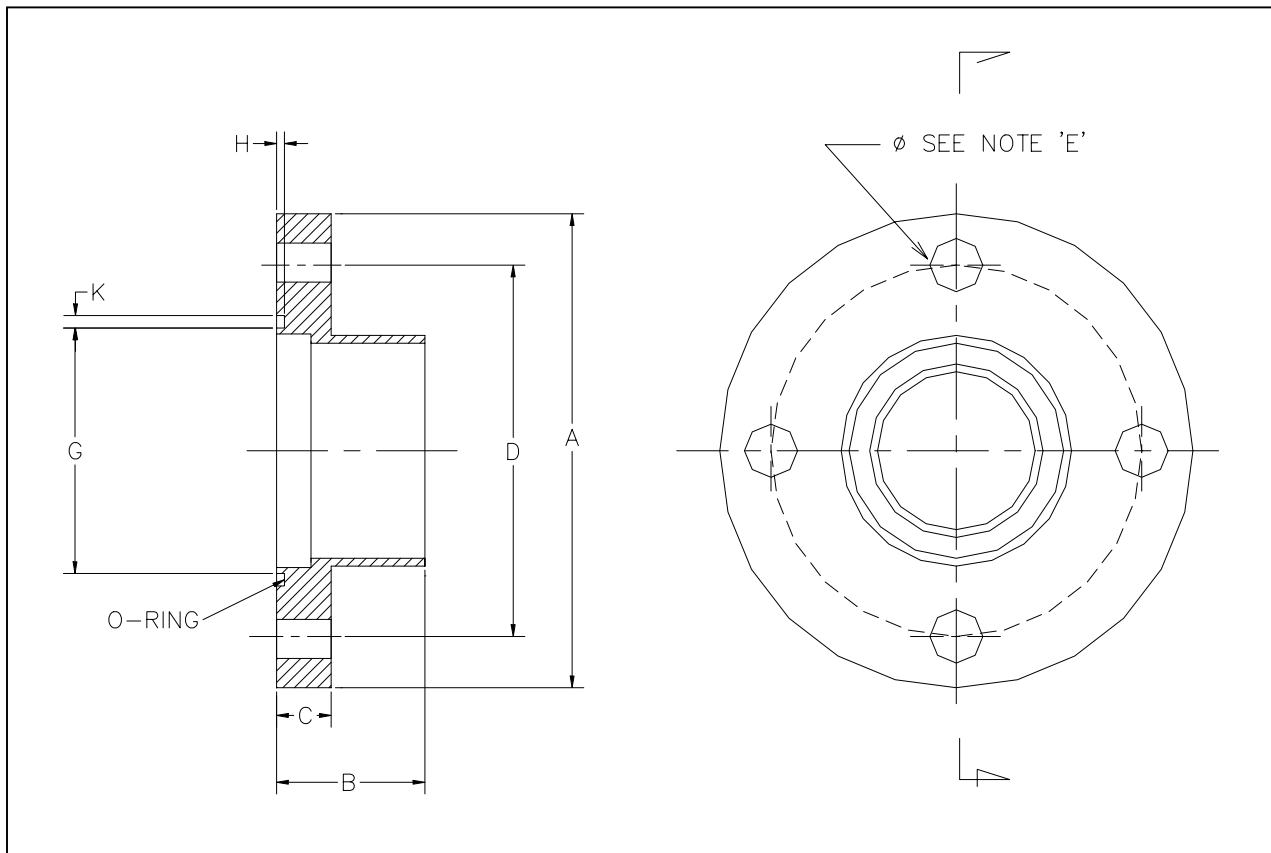
Internet: [www.asahi-america.com](http://www.asahi-america.com)



ASAHI/AMERICA®

## POLY- FLO Piping Systems

### OUTER WALL O-RING FLANGE



NOMSIZE	A	B	C	D	E	# OF HOLES	O-RING#	G DIM	K	H	PART NO.
(in.)	(in.)	(in.)	(in.)	(in.)	Ø(in.)	(in.)		I.D.	WIDTH	DEPTH	BPP
1 X2	4.313	1.515	0.600	3.130	0.500	4 @90°	2-227	2.109	.177-.187	.101-.107	4241249
2 X3	6.063	1.900	0.700	4.750	0.625	4 @90°	2-340	3.350	.270-.290	.152-.162	4241338
4 X6	11.000	2.500	1.120	9.500	0.750	8 @45°	2-440	6.725	.342-.362	.201-.211	4241532

Asahi America Inc. 35 Green St Malden Ma 02148 Office 1-781-321-5409 Fax 1-781-321-4421

Email: [asahi@asahi-america.com](mailto:asahi@asahi-america.com)

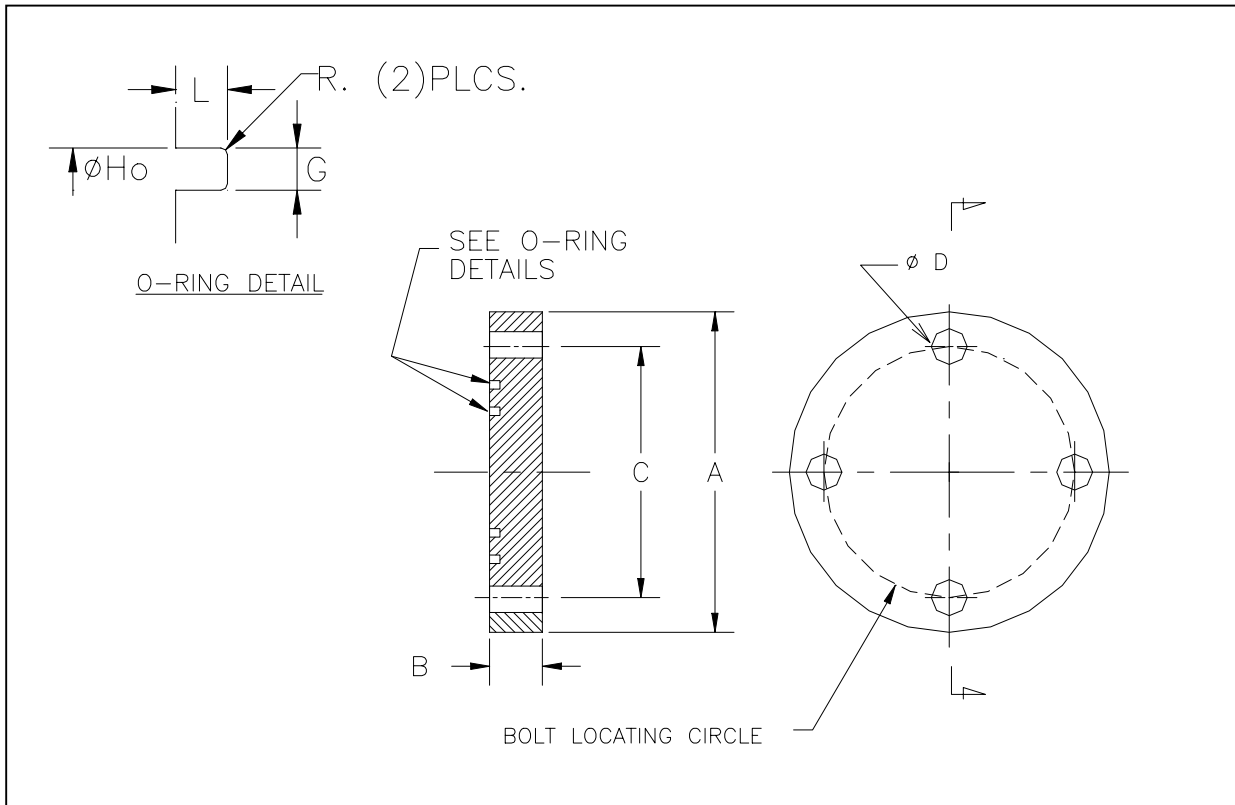
Internet: [www.asahi-america.com](http://www.asahi-america.com)



ASAHI/AMERICA®

## POLY- FLO Piping Systems

### BLIND FLANGE



NOM SIZE	A	B	C	D	B.C.	# OF HOLES	PART NO.
	(in.)	(in.)	(in.)	(in.)	(in.)	OUTER	BPP
1 X 2	4.313	0.750	3.130	0.750	3.130	4 @ 90°	4242249
2 X 3	6.063	1.000	4.750	0.500	4.750	4 @ 90°	4242338
4 X 6	11.000	1.500	9.500	0.625	9.500	8 @ 90°	4242532
<b>O-RING GROOVE DIMENSION.</b>							
SIZE	No.	No.	H <sub>o</sub>	L	G	R	
	LOC.		(in.)	(in.)	(in.)	(in.)	
1 X 2	INNER	216	1.387	.101/.107	.177/.187	.010/.025	
	OUTER	227	2.387	.101/.107	.177/.187	.010/.025	
2 X 3	INNER	331	2.645	.152/.162	.270/.290	.020/.035	
	OUTER	340	3.77	.152/.162	.270/.290	.020/.035	
4 X 6	INNER	425	4.025	.201/.211	.342/.362	.020/.035	
	OUTER	440	7.275	.201/.211	.342/.362	.020/.035	

Asahi America Inc. 35 Green St Malden Ma 02148 Office 1-781-321-5409 Fax 1-781-321-4421

Email: [asahi@asahi-america.com](mailto:asahi@asahi-america.com)

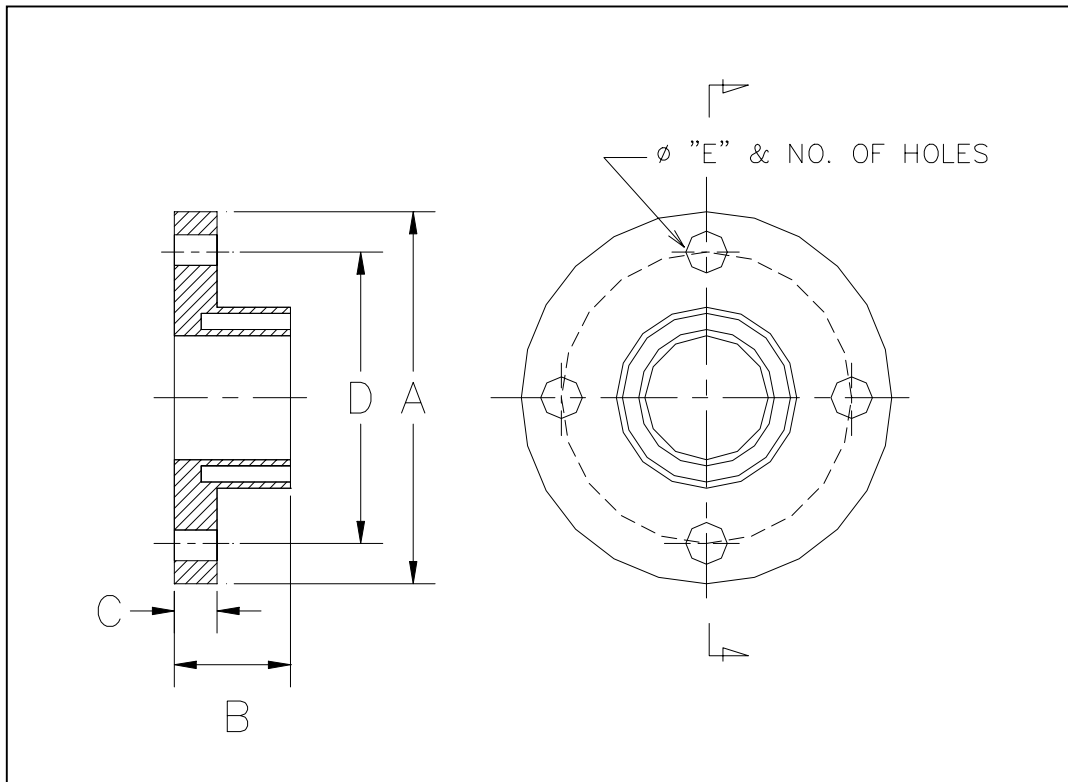
Internet: [www.asahi-america.com](http://www.asahi-america.com)



ASAHI/AMERICA®

## POLY- FLO Piping Systems

### TERMINATION FLANGE



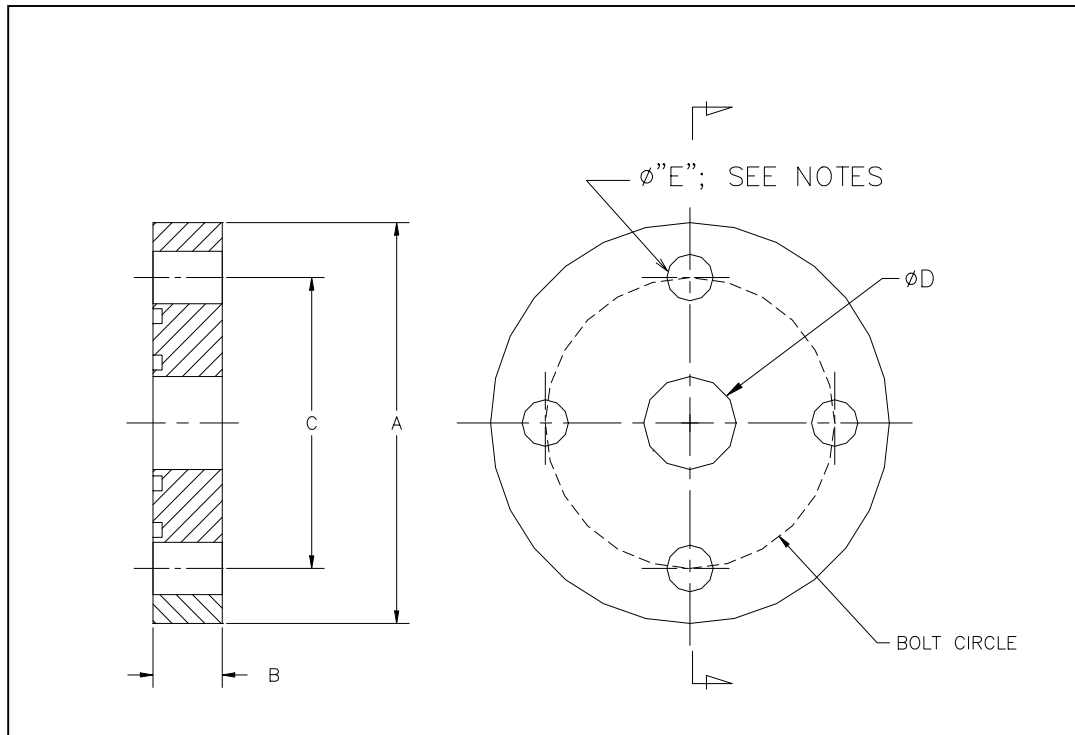
<b>NOM SIZE</b>	<b>A</b>	<b>B</b>	<b>C</b>	<b>D</b>	<b>E</b>	<b># OF HOLES</b>	<b>PART NO.</b>
(in.)	(in.)	(in.)	(in.)	(in.)	Ø (in.)	(in.)	BPP
1 X 2	4.31	1.52	0.60	3.13	0.50	4 @ 90°	4243249
2 X 3	6.06	1.90	0.70	4.75	0.625	4 @ 90°	4243338
4 X 6	11.00	2.50	1.12	9.50	0.75	8 @ 45°	4243532



ASAHI/AMERICA®

## POLY- FLO Piping Systems

### ISOLATION FLANGE



NOM SIZE	A	B	C	D	E	B.C.	# OF HOLES	RING #	RING #	PART NO.
(in.)	(in.)	(in.)	(in.)	(in.)	Ø (in.)	(in.)	(in.)	INNER	OUTER	BPP
1 X 2	4.313	0.750	3.130	1.000	0.500	3.130	4 @ 90°	216	227	4240249
2 X 3	6.063	1.100	4.750	1.900	0.680	4.750	4 @ 90°	331	340	4240338
4 X 6	11.000	1.500	9.500	4.060	0.750	9.500	8 @ 45°	425	440	4240532

Asahi America Inc. 35 Green St Malden Ma 02148 Office 1-781-321-5409 Fax 1-781-321-4421

Email: [asahi@asahi-america.com](mailto:asahi@asahi-america.com)

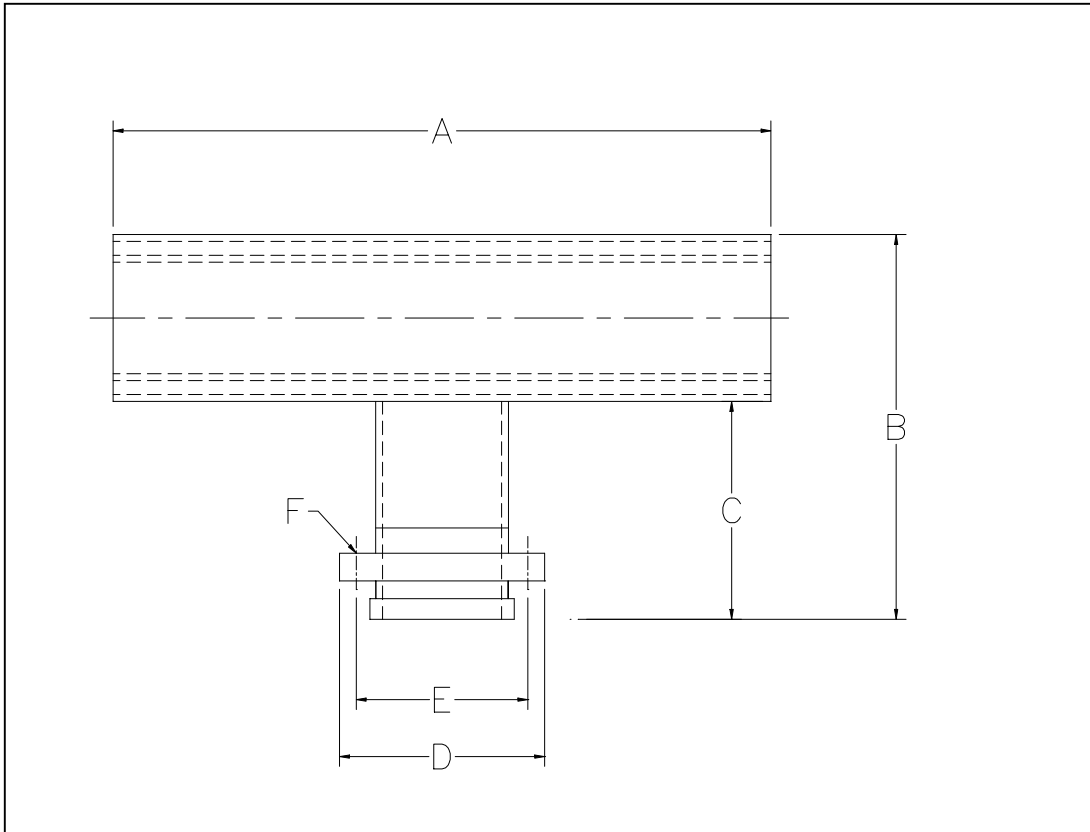
Internet: [www.asahi-america.com](http://www.asahi-america.com)



ASAHI/AMERICA®

## POLY- FLO Piping Systems

### OUTER-WALL FLANGED OUTLET



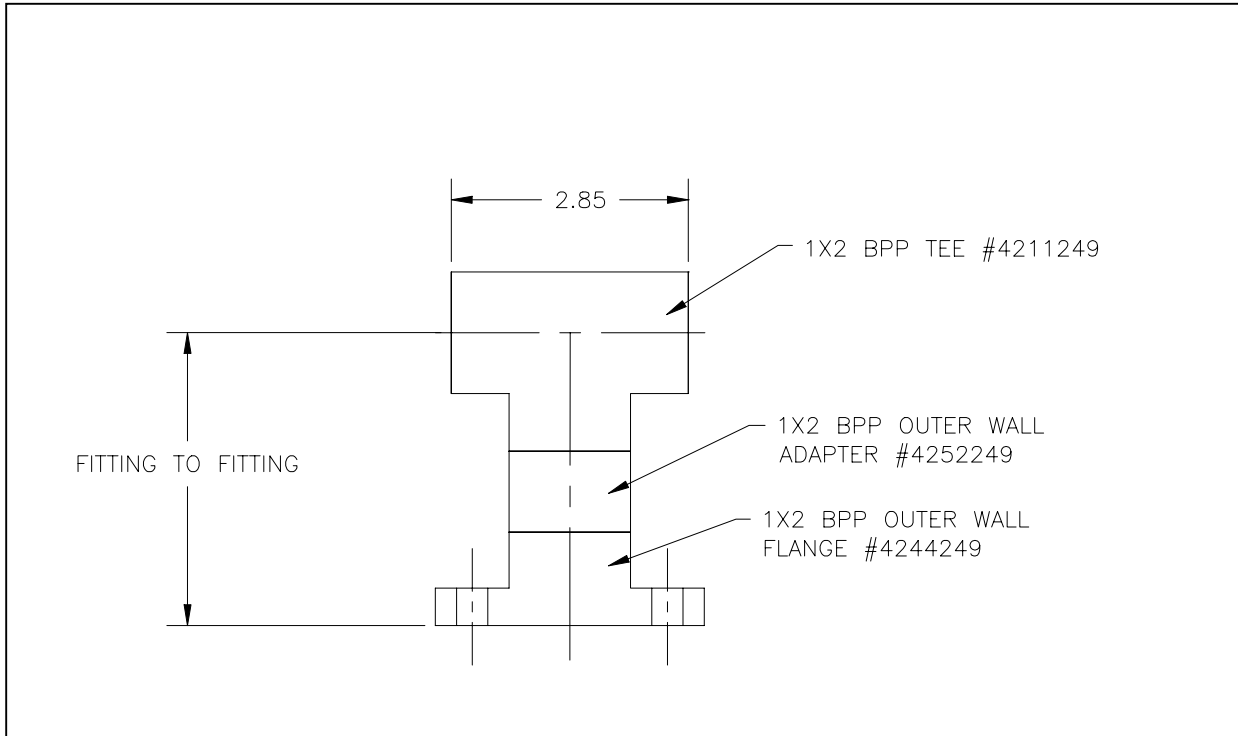
NOM SIZE	A	B	C	D	E	F	PART NO.
(in.)	(in.)	(in.)	(in.)	(in.)	(in.)	(in.)	BPP
4 X6	12.00	10.00	4.00	4.250	3.130	4X.625 @90°	4292532



ASAHI/AMERICA®

## POLY- FLO Piping Systems

### OUTER-WALL FLANGED OUTLET



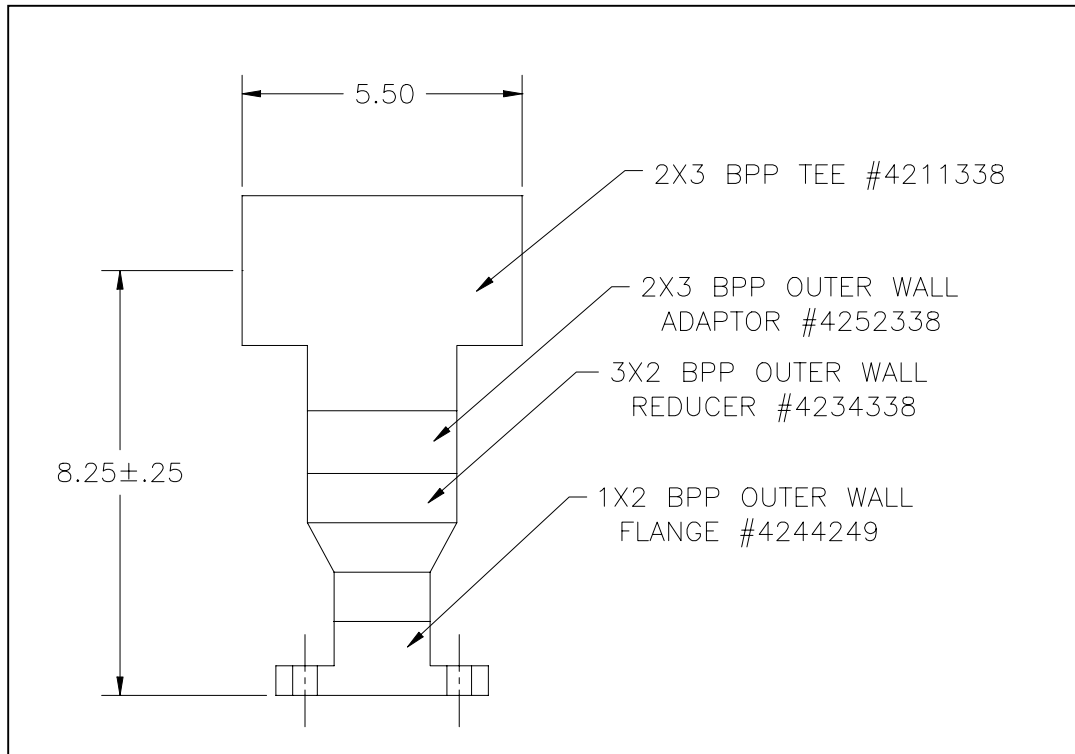
SIZE	PART NUMBER
1X2	4292249



ASAHI/AMERICA®

## POLY- FLO Piping Systems

### OUTER-WALL FLANGED OUTLET



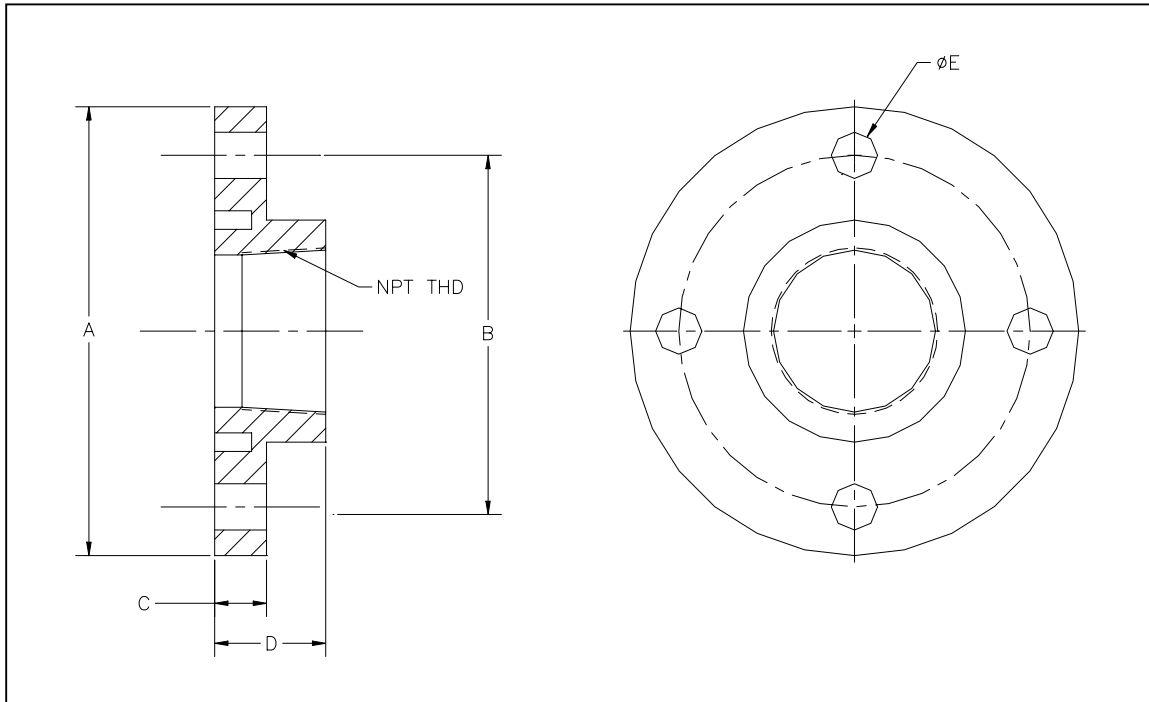
SIZE	PART NUMBER
2X3	4292338



ASAHI/AMERICA®

## POLY- FLO Piping Systems

### THD TERMINATION FLANGE



NOMSIZE	A	B	C	D	E	NPT THD	# OF HOLES	PART NO.
(in.)	(in.)	(in.)	(in.)	(in.)	Ø (in.)	(in.)	(in.)	BPP
1 X 2	4.313	3.130	0.600	1.280	0.500	1" NPT	4 @ 90°	4247249
2 X 3	6.063	4.750	0.700	1.500	0.625	2" NPT	4 @ 90°	4247338

Asahi America Inc. 35 Green St Malden Ma 02148 Office 1-781-321-5409 Fax 1-781-321-4421

Email: [asahi@asahi-america.com](mailto:asahi@asahi-america.com)

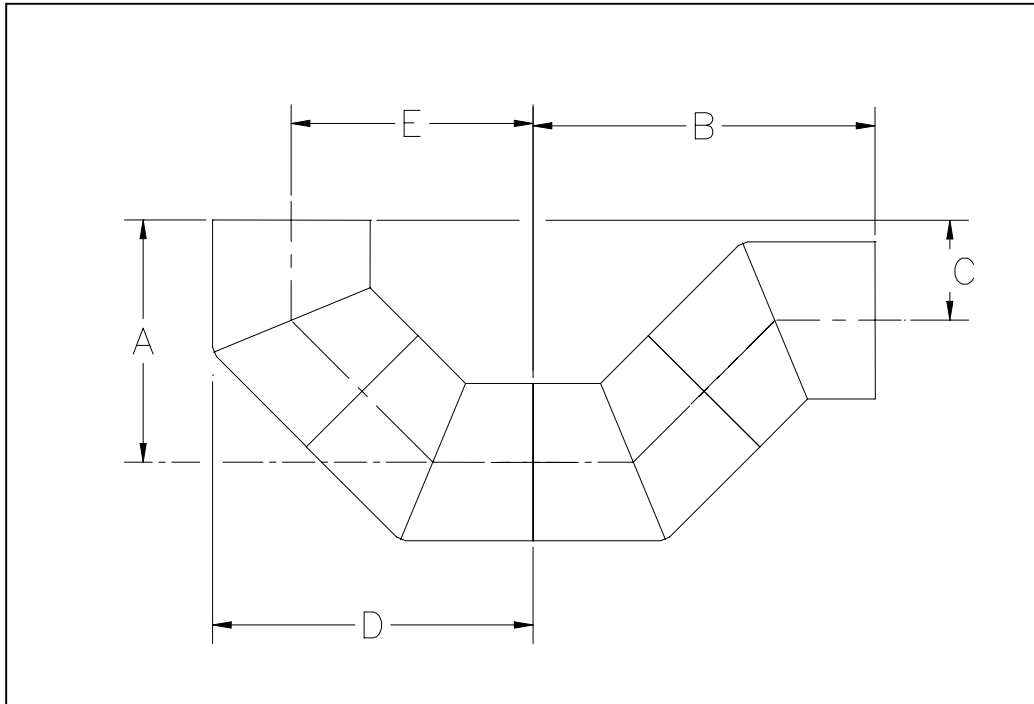
Internet: [www.asahi-america.com](http://www.asahi-america.com)



ASAHI/AMERICA®

## POLY- FLO Piping Systems

### P-TRAP



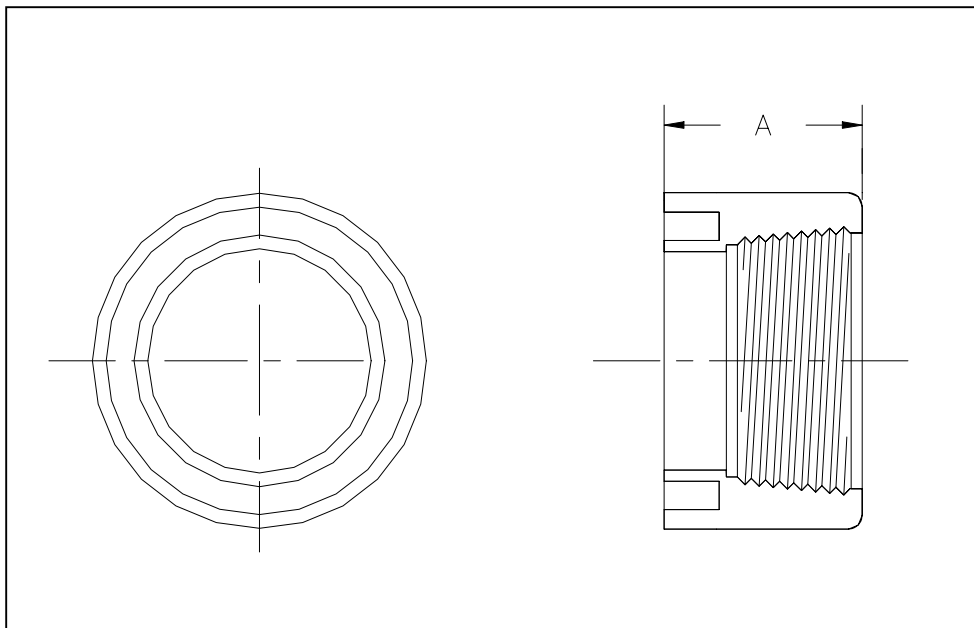
<b>NOM SIZE</b>	<b>A</b>	<b>B</b>	<b>C</b>	<b>D</b>	<b>E</b>	<b>PART NO.</b>
(in.)	(in.)	(in.)	(in.)	(in.)	(in.)	<b>BPP</b>
1 X 2	3.21	4.54	1.33	4.18	3.21	4264249
2 X 3	4.69	6.63	1.94	6.19	4.67	4264338
4 X 6	9.31	13.25	3.88	12.38	9.34	4264532



ASAHI/AMERICA®

## POLY- FLO Piping Systems

### FEMALE ADAPTER



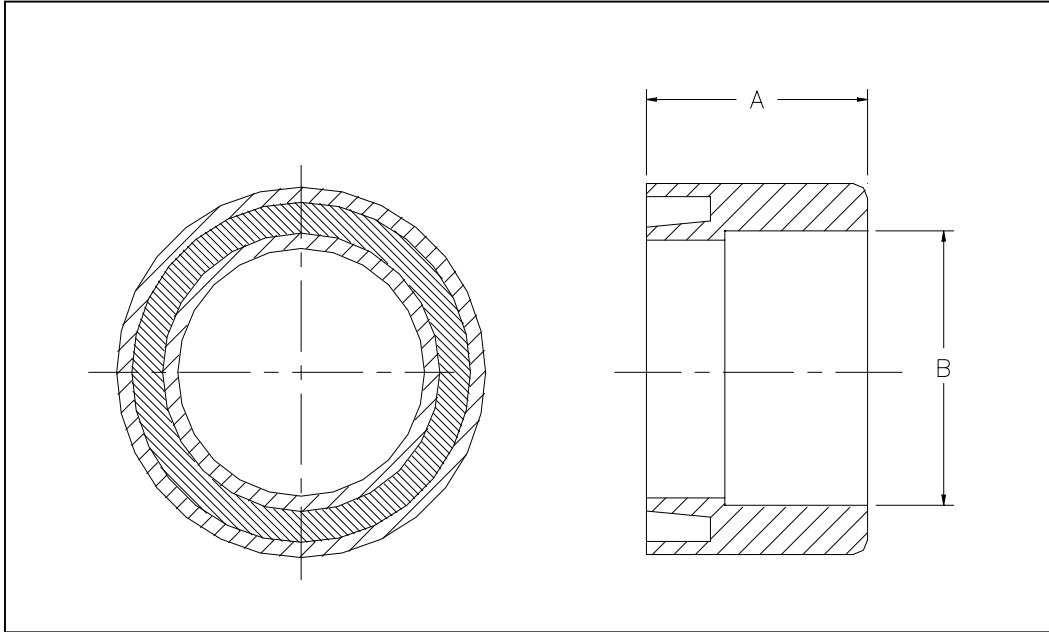
NOM SIZE (in.)	A (in.)	THD (in.)	PART NO. BPP
1 X 2	1.761	1" NPT	4230249
2 X 3	1.800	2" NPT	4230338
4 X 6	3.185	4" NPT	4230532



ASAHI/AMERICA®

## POLY- FLO Piping Systems

### METRIC SOCKET ADAPTER



NOM SIZE	A	B	PART NO .
(in .)	(in .)	Ø (in .)	BPP
1 X 2	1.775	1.260	4279249
2 X 3	1.820	2.480	4279338
4 X 6	3.185	4.330	4279532

Asahi America Inc. 35 Green St Malden Ma 02148 Office 1-781-321-5409 Fax 1-781-321-4421

Email: [asahi@asahi-america.com](mailto:asahi@asahi-america.com)

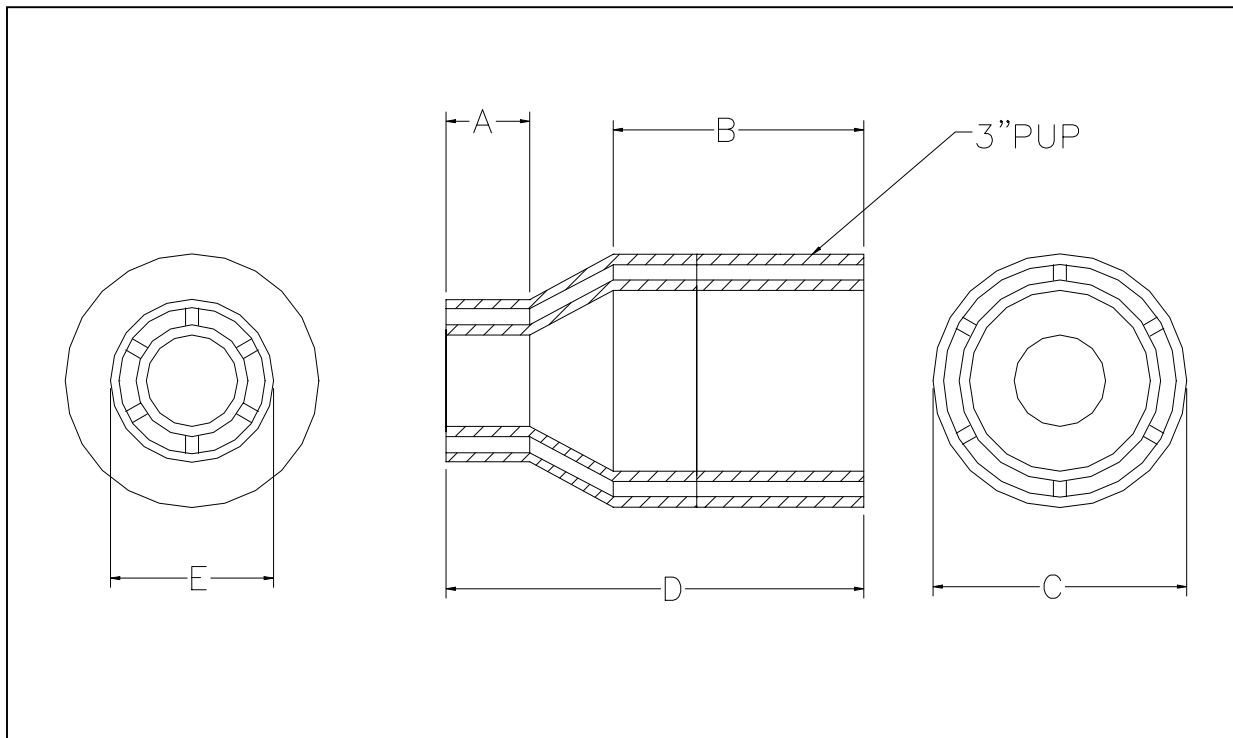
Internet: [www.asahi-america.com](http://www.asahi-america.com)



ASAHI/AMERICA®

## POLY- FLO Piping Systems

### CONCENTRIC REDUCER



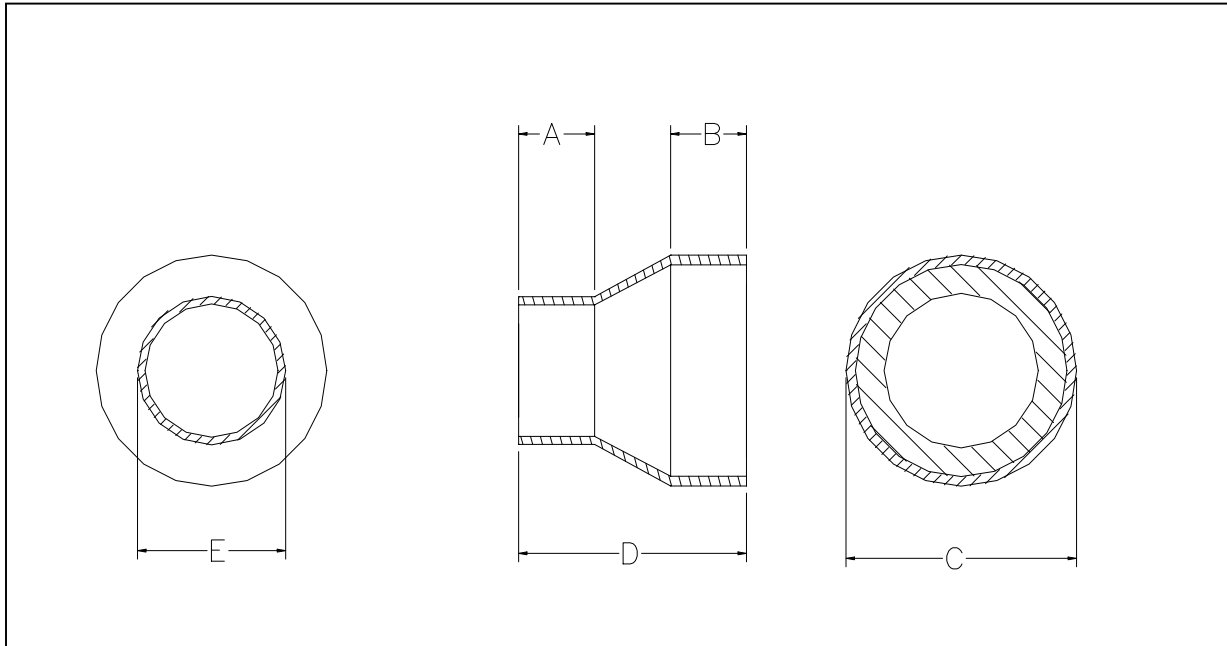
NOM SIZE	A	B	C	D	E	PART NO.
(in.)	(in.)	(in.)	(in.)	(in.)	(in.)	BPP
(2x1) (3x2)	1.00	3.00	3.035	5.00	1.95	4235338
(4x2) (6x3)	1.00	3.00	6.080	6.00	3.04	4235532



ASAHI/AMERICA®

## POLY- FLO Piping Systems

### OUTER-WALL REDUCER



NOM SIZE	A	B	C	D	E	PART NO.
(in.)	(in.)	(in.)	(in.)	(in.)	(in.)	BPP
(3 X 2)	1.00	1.00	3.035	3.00	1.95	4234338
(6 X 3)	1.00	1.00	6.080	4.00	3.04	4234532

Asahi America Inc. 35 Green St Malden Ma 02148 Office 1-781-321-5409 Fax 1-781-321-4421

Email: [asahi@asahi-america.com](mailto:asahi@asahi-america.com)

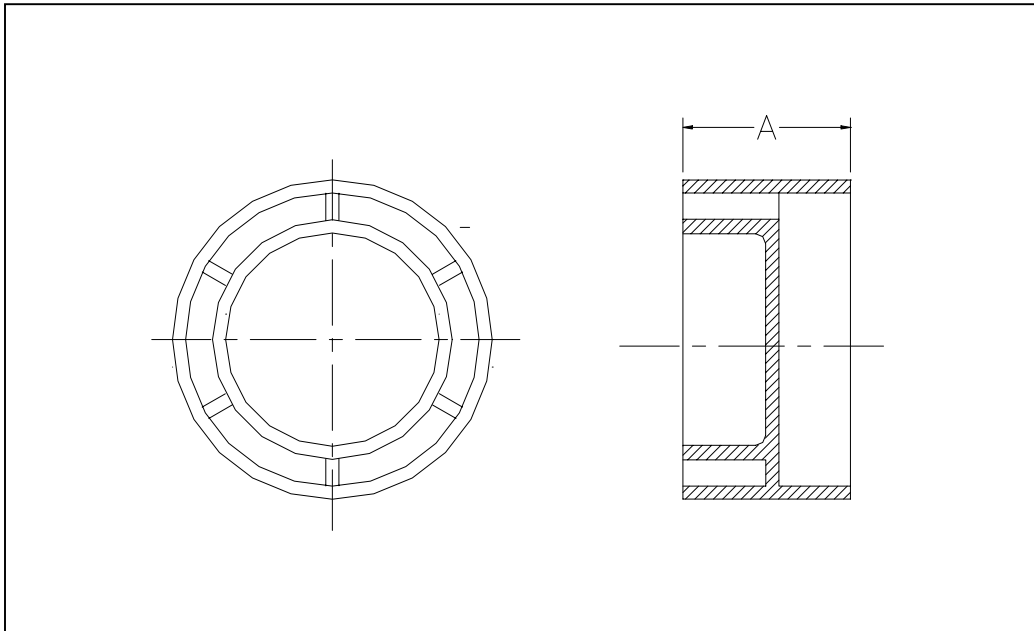
Internet: [www.asahi-america.com](http://www.asahi-america.com)



ASAHI/AMERICA®

## POLY- FLO Piping Systems

### OUTER-WALL ADAPTER



N O M S I Z E	A	P A R T N O .
( i n . )	( i n . )	B P P
1 X 2	1 . 3 0 0	4 2 5 2 2 4 9
2 X 3	1 . 2 7 0	4 2 5 2 3 3 8
4 X 6	3 . 1 8 5	4 2 5 2 5 3 2

Asahi America Inc. 35 Green St Malden Ma 02148 Office 1-781-321-5409 Fax 1-781-321-4421

Email: [asahi@asahi-america.com](mailto:asahi@asahi-america.com)

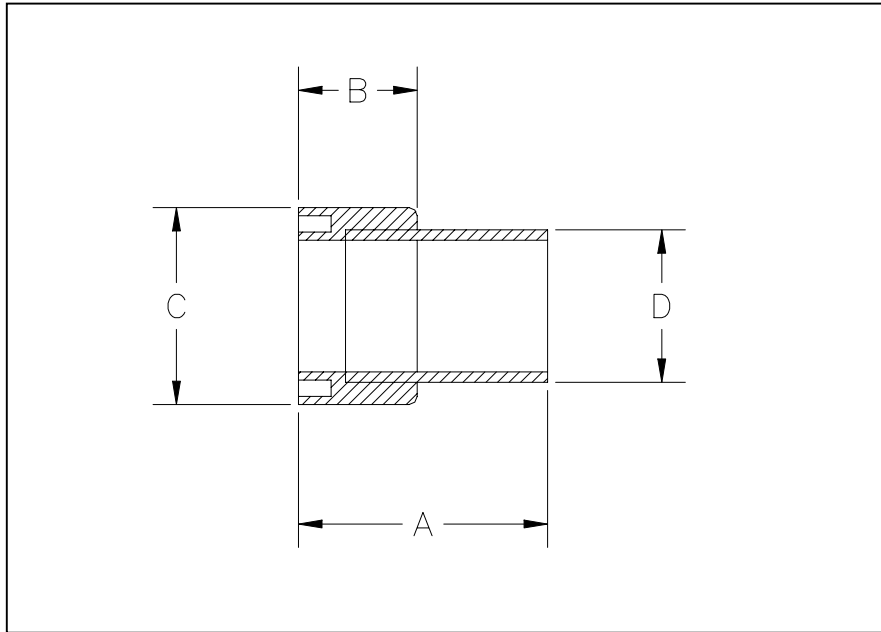
Internet: [www.asahi-america.com](http://www.asahi-america.com)



ASAHI/AMERICA®

## POLY- FLO Piping Systems

### IPS SPIGOT ADAPTER



NOM SIZE (in.)	A (in.)	B (in.)	C (in.)	D (in.)	PART NO. BPP
1 X 2*	3.775	1.775	1.950	1.315	4278249
2 X 3*	3.820	1.820	3.035	3.375	4278338
4 X 6	3.500	2.000	6.080	4.500	4278532

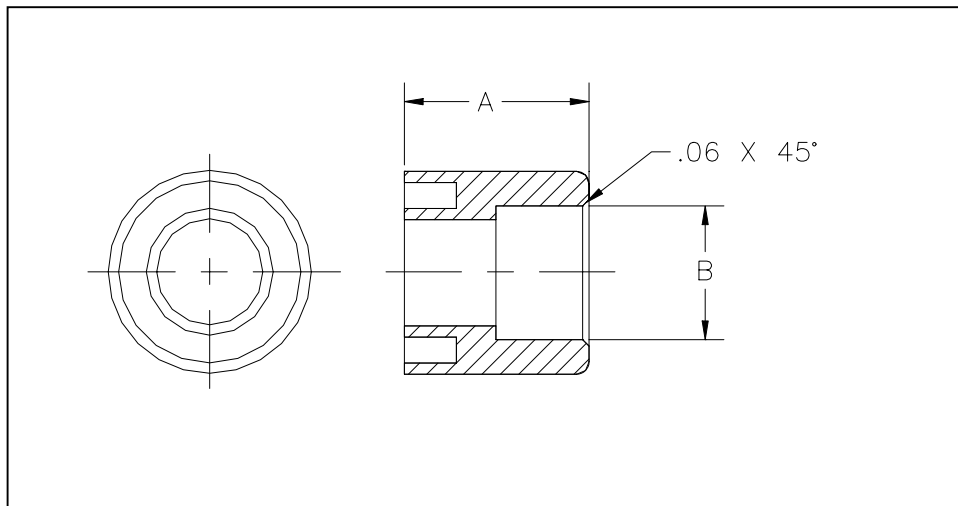
\*FABRICATED



ASAHI/AMERICA®

## POLY- FLO Piping Systems

### IPS SOCKET ADAPTER



NOM SIZE	A	B	PART NO.
(in.)	(in.)	(in.)	BPP
1 x 2	1.775	1.315	4229249
2 x 3	1.820	2.375	4229338
4 x 6	3.190	4.500	4229532

Asahi America Inc. 35 Green St Malden Ma 02148 Office 1-781-321-5409 Fax 1-781-321-4421

Email: [asahi@asahi-america.com](mailto:asahi@asahi-america.com)

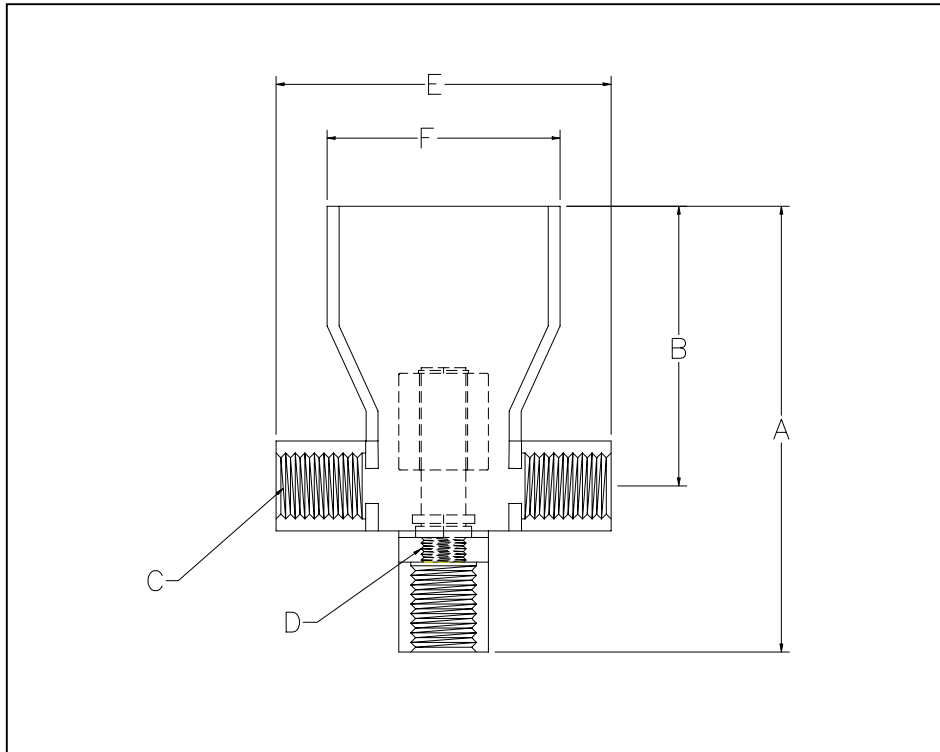
Internet: [www.asahi-america.com](http://www.asahi-america.com)



ASAHI/AMERICA®

## POLY- FLO Piping Systems

### FLOAT SWITCH ADAPTER



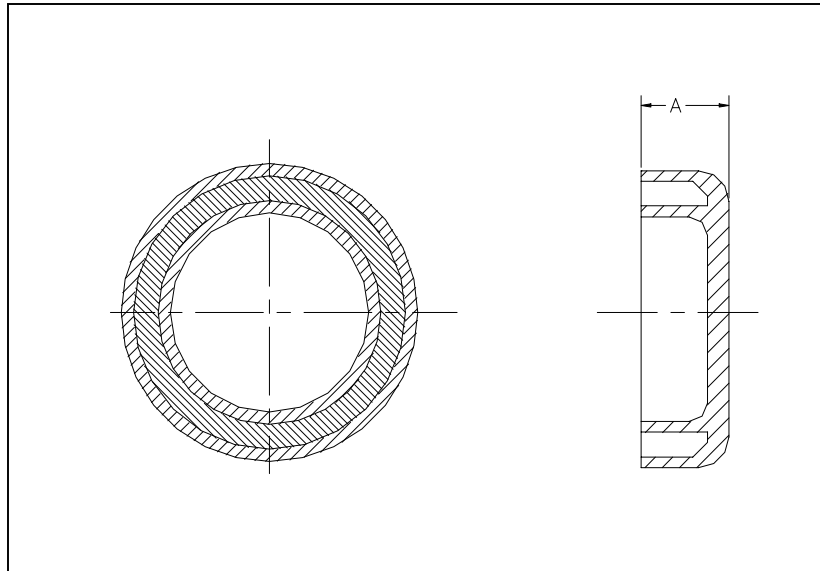
NOMSIZE	A	B	C	D	E	F	PARTNO.
(in.)	(in.)	(in.)	(in.)	(in.)	(in.)	(in.)	BPP
1X2	3.72	2.16	1/2"NPT	1/8"NPT	2.80	1.95	4253249



ASAHI/AMERICA®

## POLY- FLO Piping Systems

### END/TEST CAP



N O M S I Z E ( i n . )	A ( i n . )	P A R T N O . B P P
1 X 2	0 . 9 2 0	4 2 2 1 2 4 9
2 X 3	0 . 9 0 0	4 2 2 1 3 3 8
4 X 6	1 . 7 3 0	4 2 2 1 5 3 2