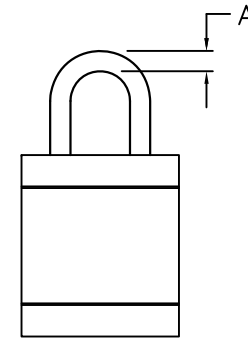
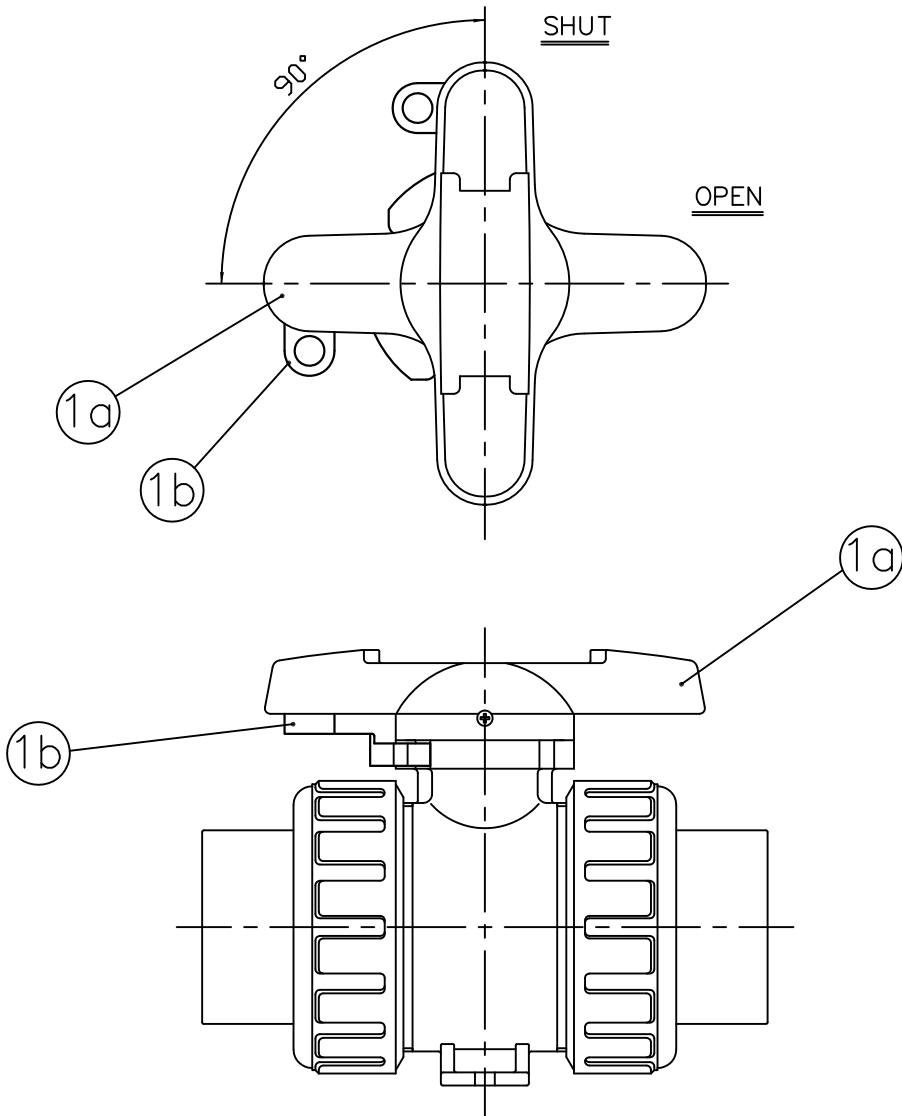


**FOR REFERENCE ONLY  
ASAHI/AMERICA**

UNIT: INCH

VALVE SIZE	A
2-1/2"	.28
3"	.28
4"	.28



LOCK DETAIL

1b	TRIGGER	1	PPG	
1a	LOCKING HANDLE	1	ABS	
No.	DESCRIPTION	No.REQ'D	MATERIAL	REMARKS

NOTES:

1. SOCKET END BALL VALVE SHOWN.
2. LOCK OPEN & CLOSED ONLY. DOES NOT LOCK AT INTERMEDIATE POSITION.
3. FOR DETAILED VALVE DIMENSIONS REFER TO DRAWING NO.: 0099BV
4. THE SHAPE AND APPEARANCE OF ASSEMBLY DIFFER A LITTLE WITH NOMINAL SIZE COMPARED TO THIS DRAWING.

THIS DRAWING AND ALL INFORMATION HEREON IS THE PROPERTY OF ASAHI/AMERICA. ANY COPYING, REPRODUCTION OR UNAUTHORIZED USE IS FORBIDDEN WITHOUT WRITTEN CONSENT.

	NAME	DATE
DR	JOHN GLASSFORD	9/28/07
APPD	DAVE HURLEY	9/28/07
PROD		
WO#/CO#		
FILE		

**ASAHI/AMERICA**

ISO 9001 CERTIFIED  
35 GREEN STREET, P.O. BOX 653, MALDEN, MA.



TRUE UNION BALL VALVE  
TYPE21 LOCKING HANDLE  
2-1/2" THRU 4"

SIZE	A	DWG. NO.	0099BVLH	REV	A
SCALE	NTS		SHEET 1 OF 1		