



# Asahi/America, Inc.

## New Product Announcement

July 2009

**Product Development**  
Asahi is committed to continuously improving our product portfolio. Whether bringing on new products or shifting manufacturing domestically, we are dedicated to providing our customers with the best service.



### Proven Products

Our Air-Pro PE 100 High density polyethylene (HDPE) Compressed Air Piping System is currently installed in numerous industrial applications across a wide assortment of industries.



### Stock & Delivery

We feature a full selection of pipe and fittings in sizes from 1/2" - 12" in stock and ready for shipment. In addition we stock a full offering of welding tool available for purchase or rental.

## Air-Pro Compressed Air Piping

### ABS x PE 100 Air-Pro Adapter Coupling



Asahi/America has made transitioning from ABS to our PE 100 Air-Pro compressed air line simpler and quicker with the development of this new adapter coupling.

Instead of replacing a complete line because of system maintenance or failure from damage to an ABS line, this new adapter allows you to replace just the compromised section without taking down the entire line.

### Specifications

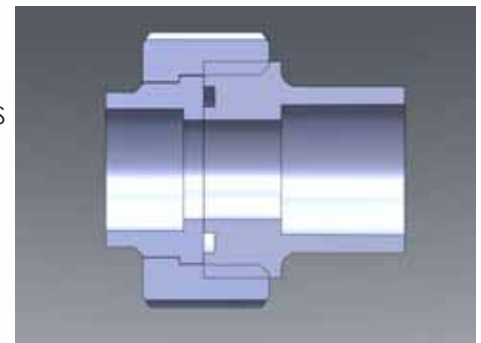
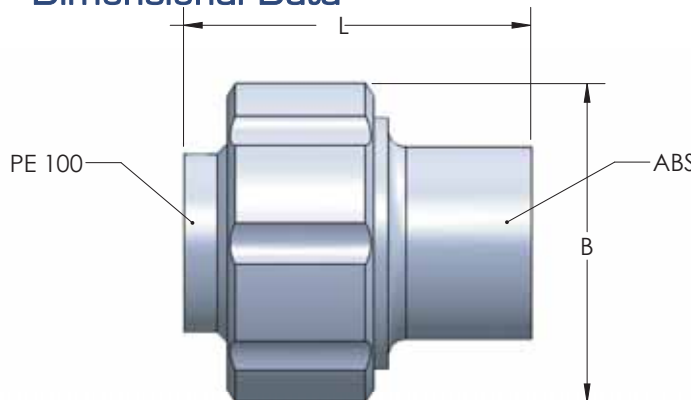
Material: PE 100  
Size Range: 1/2" to 2"  
Pressure Rating: SDR11 at 150 psi  
Media: Compressed Air  
Color: Black

### Part Numbers

1/2"	5827005
3/4"	5827007
1"	5827010
1 1/4"	5827012
1 1/2"	5827015
2"	5827020



### Dimensional Data



PIPE SIZE		
	L	B
1/2" (20mm)	2-1/4	1-3/4
3/4" (25mm)	2-3/8	2-1/8
1" (32mm)	2-1/2	2-1/2
1-1/4" (40mm)	3	3
1-1/2" (50mm)	3-1/2	3-3/8
2" (63mm)	3-5/8	4